

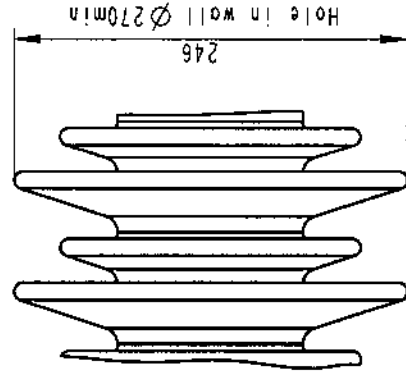
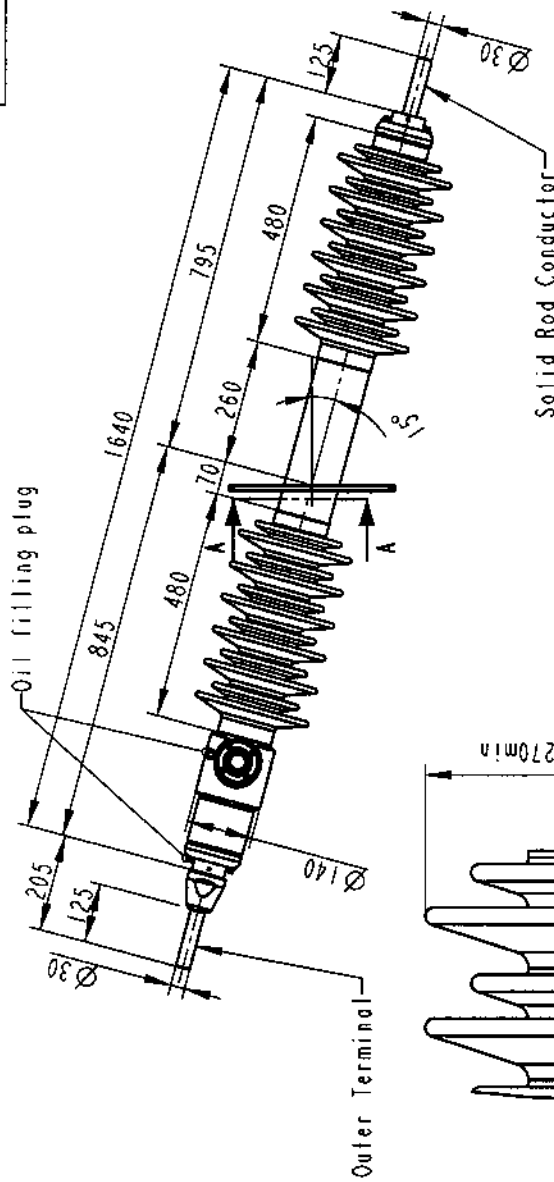
Ordering Data:

BUSHING	
LF131 001-A	Brown Porcelain
LF131 001-B	Light Grey Porcelain

OUTER TERMINAL	
LF170 002-B	Cu, $\varnothing 30$, L=125
LF170 001-B	Al, $\varnothing 30$, L=125
INNER TERMINAL FOR STRANDED CABLE	
LF170 011-T	Area $\leq 285 \text{sqmm}$, I $\leq 665 \text{A}$
LF170 011-V	Undrilled with pilot hole
SOLID ROD CONDUCTOR	
LF170 075-I	Cu, $\varnothing 30$, L=125, I $\leq 250 \text{A}$

Bushing Data:

Rated Voltage	52	kV
Phase to Ground Voltage	52	kV
Dry Lighting Impulse I, 2/50 μs	250	kV
Wet power frequency AC	105	kV
Routine test I min dry 50Hz	120	kV
Rated Current	1250	A
Creepage Distance Outdoor	1500 \pm 50	mm
Creepage Distance Indoor	1500 \pm 50	mm
Mass	50	kg
Inclination from Horizontal (min)	15	°



3:10

Based on	Reg. No.	Title
Prepared HANS JOHANSSON	Responsible department COM/BKK 95 27	WALL BUSHING GOBL250
Approved Olof Heyman	Take over department Database	VÄGGENOMFÖRING GOBL250
Production engineering revision Håkan Rudegård		
Inspection engineering revision Folke Johansson		
Design engineering revision Ove Bodin		
ABB	ABB Components	Document No. 2756040-34

Language	82
Page	1(1)