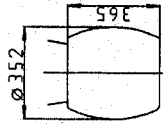
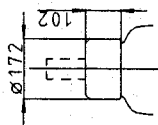


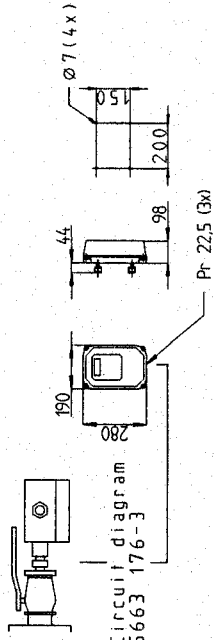
Shield oil-side
(Additional accessories)
LF 170 046-V or
LF 170 046-VP



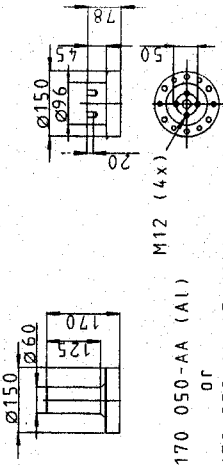
Shield SF6-side
(Additional accessories)
LF 170 046-F



Pressure supervision equipment
LF 410 024-K or LF 410 024-L
(Additional accessories)



Terminal stud SF6-side
(Additional accessories)

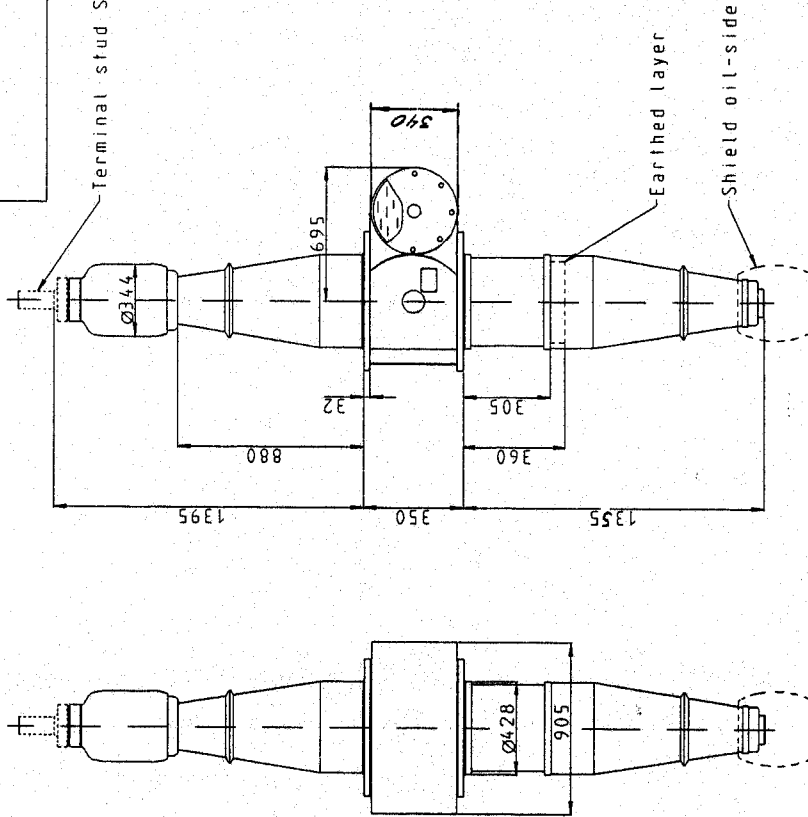


LF 170 050-AA (Al)

or

LF 170 050-AL (Cu/Ag)

LF 170 050-AH



Terminal stud SF6-side

Flange SF6-side

Position of test tap

Ø24 (12x)

Ra 16

Position of pressure sensor

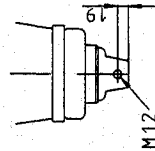
Flange oil-side

Ø24 (12x)

Ra 63

M12 For earthing device

Tight bottom contact



Electrical data

Rated voltage	550 kV
Max. phase to ground	318 kV
Rated current Vertical	2500 A
Rated current Horizontal	1600 A
Test voltages	Lighting impulse 1675 kV Switching impulse 1300 kV
Routine test	Power frequency 750 kV

ABB Components AB

Bushing	GOEK 1675
No.	Horiz 1600 A
Un/Uy	550/318 kV Vert. 2500 A
Test LI/SI/AC	1675/1300/750 kV
Year	L 1355 mm M 540 kg
PF	%C1/C2

Catalogue number: LF 124 013-B

Accepted by qual

Accepted for prod by

GOEK 1675 FE=300

Description (English)

Description (own language)

Design checked by

Heyman

Drawn by

ANDERSSON

Issued by Year Week

COM/BK 94 31

Rev. No.	1	310 added
Revision		
Appr.		
Year		
Week		

ABB Components

2753 015-34

DATA ORIGINAL

File name

Lang Sheet

Rev Cont

We reserve all rights in this document. If in the information contained therein, reproduction or use or disclosure to third parties without express authority is strictly forbidden.

ABB 19

Design checked by	Dept	Year	Cont