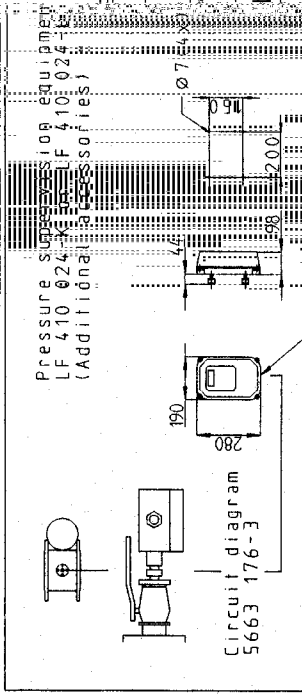
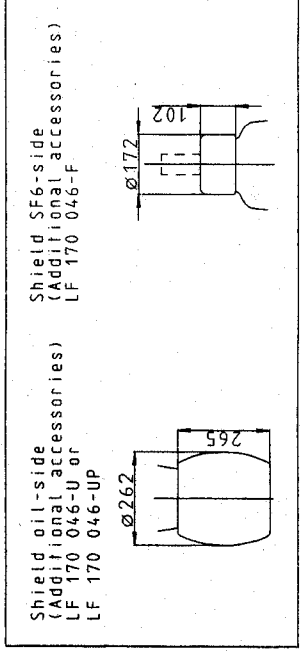
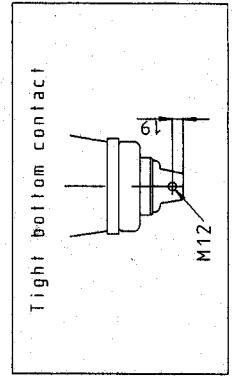
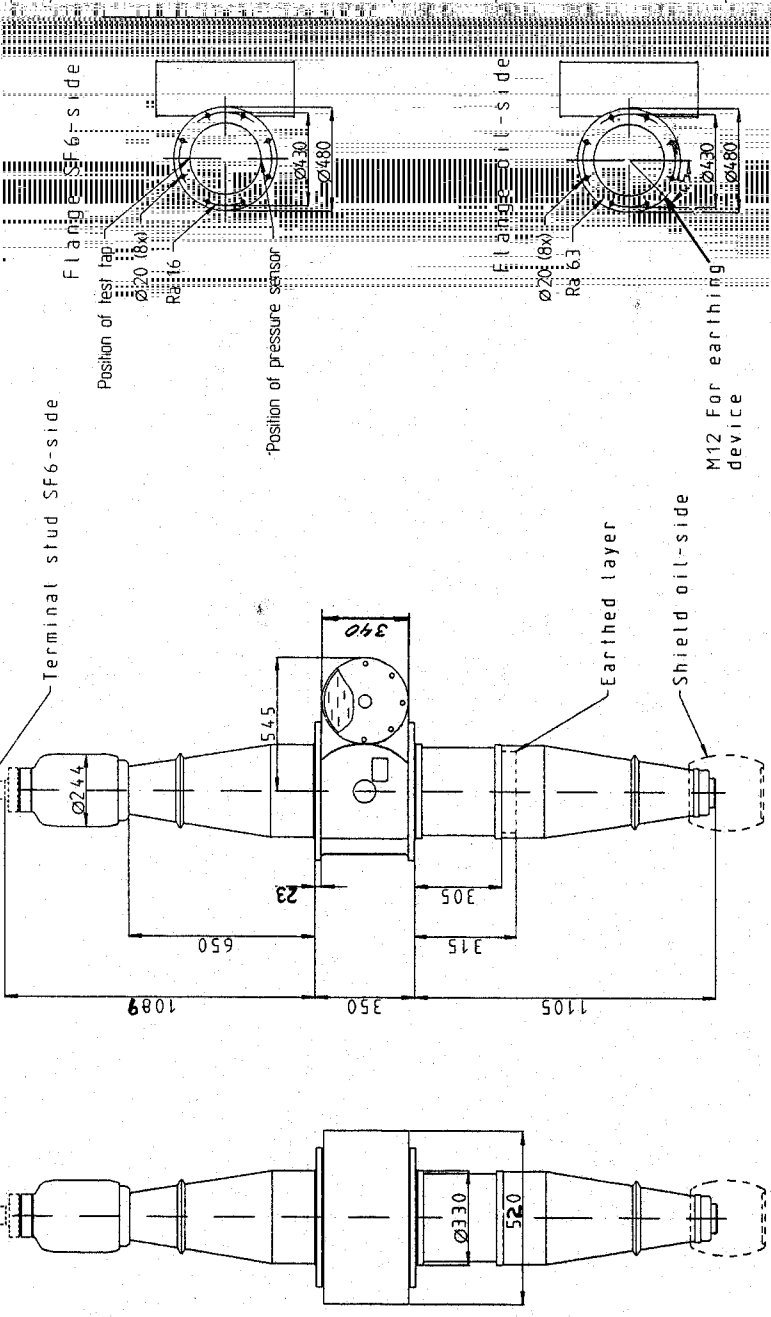


We reserve all rights in this document. In the information contained therein, reproduction, use or disclosure to third parties without express authority is strictly forbidden.

© ABB 19



2	340	revised	12	99	47
1	1089	new	10	98	06
Rev	Ind	Revision	April	Year	Week

ABB Components AB

Accepted by: Equal Accepted by: Equal
 Design checked by: Hejmelin
 Drawn by: Anderjass
 Issued by: JOHNSON
 Drawing checked by: JOHNSON

Electrical data

Ratings	Rated voltage	420 kV
	Max. phase to ground	245 kV
	Rated current Vertical	2500 A
	Rated current Horizontal	1600 A
Test voltages	Lighting impulse	1425 kV
	Switching impulse	1175 kV
Routine test	Power frequency	630 kV

ABB Components AB

Bushing	GOEK 1425
No.	Horiz. 1600 A
Un/ly	420/245 kV Vert. 2500 A
Test	LI/SI/AC 1425/1175/630 kV
Year	L 1105 mm M 285 kg
-PF	%C1/C2
	pF

Catalogue number: LF 124 012-B

Product by: Description (English) GOEK 1425 FE=300

Description (own language)

File name	
Long Sheet	1
Rev	Cont

4 31

2753 015-31