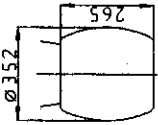
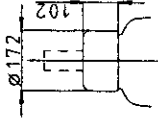


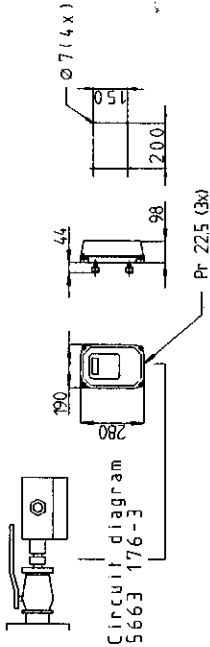
Shield oil-side
(Additional accessories)
LF 170 046-V or
LF 170 046-F



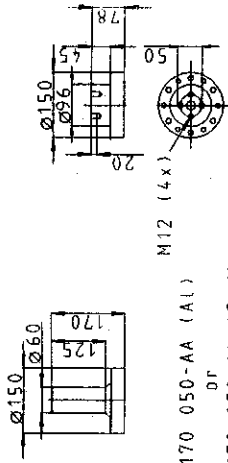
Shield SF6-side
(Additional accessories)
LF 170 046-V or
LF 170 046-F



Pressure supervision equipment
LF 410 024-K or LF 410 024-L
(Additional accessories)

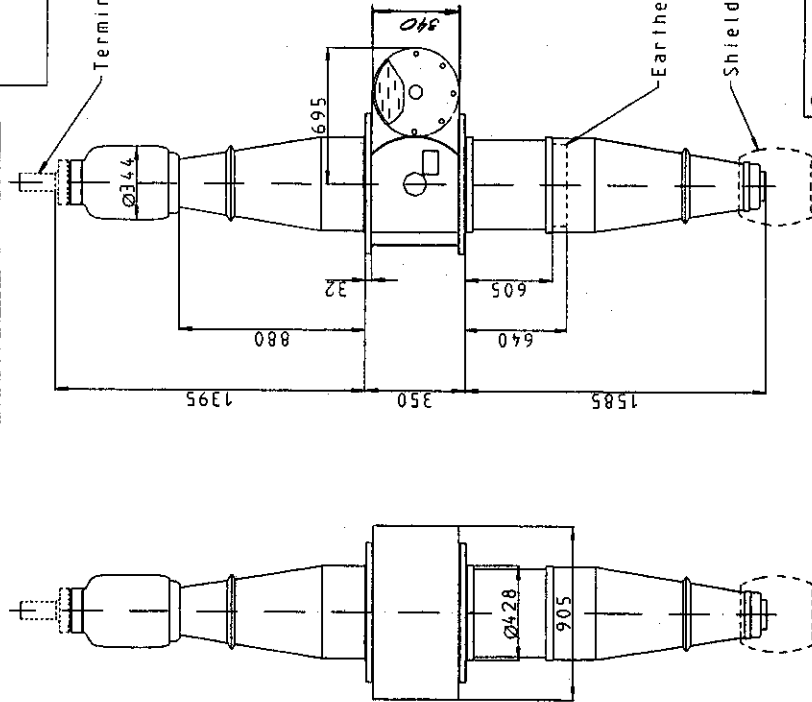


Terminal stud SF6-side
(Additional accessories)



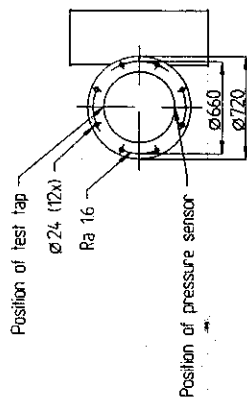
LF 170 050-AA (AL)
or
LF 170 050-AL (Cu/Ag)

LF 170 050-AH



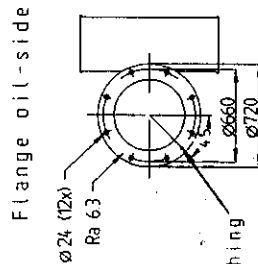
We reserve all rights in this document. In the
information contained herein. Reproduction or use or
disclosure to third parties without express authority
is strictly forbidden.
ABB 19

Terminal stud SF6-side



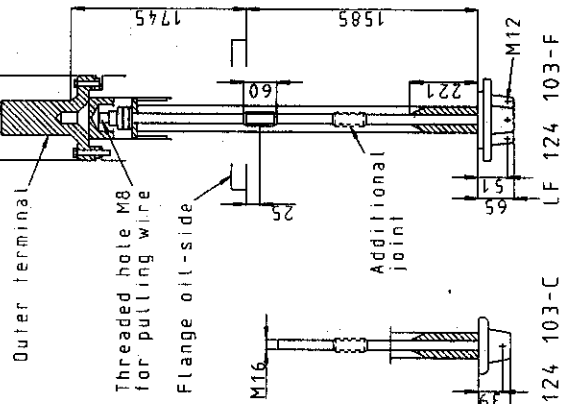
Position of test tap

Position of pressure sensor



M12 For earthing
device

Drawrod system



Electrical data

Ratings	Rated voltage	550 kV
	Max. phase to ground	318 kV
	Rated current Vertical	2500 A
	Rated current Horizontal	1600 A
Test voltages	Lighting impulse	1675 kV
	Switching impulse	1300 kV
Routine test	Power frequency	750 kV

ABB Components AB	
Bushing GOEK 1675	
No.	Horiz. 1600 A
Un/Uy	550/318 kV Vert. 2500 A
Test	L1/S1/AC 1675/1300/750 kV
Year	L 1585 mm M 575 kg pF
	%C1/C2

Catalogue number: LF 124 003-C

Accepted by	quelt	Accepted for prod by	Description (English)	DATA ORIGINAL
Design checked by	Heyman	Drawn by	ANDERSSON	File name
Drawing checked by	JONSSON	Issued by	Year	Description (own language)
		Week	94.31	Long Sheet
		Year	94	Rev
		Week	31	Cont

2753 015-28

ABB Components

1 310 added
Rev. Ind. Revision
14/11/94
Kind. Year week

Drawn by	Form No.	Sheet
Design checked by	Dept.	Year
	Cont.	