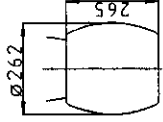
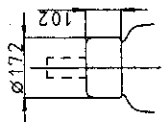


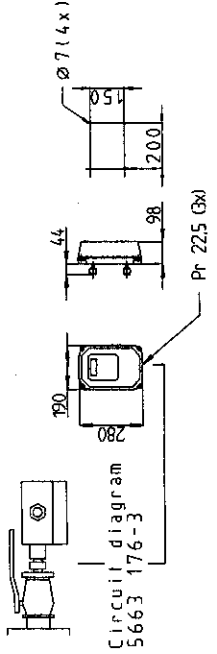
Shield oil-side  
(Additional accessories)  
LF 170 046-V or  
LF 170 046-VP



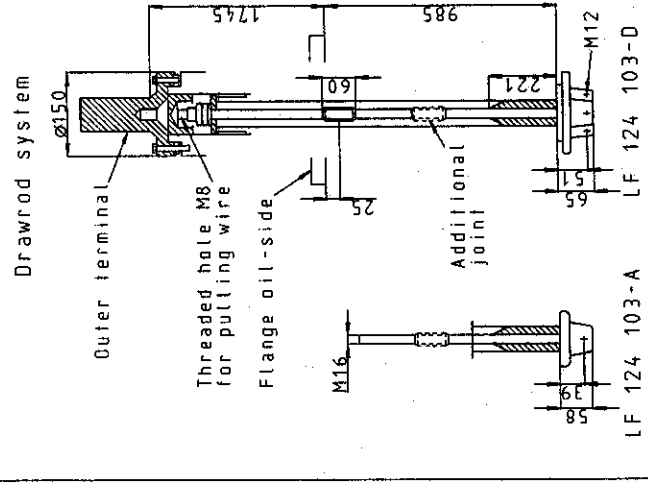
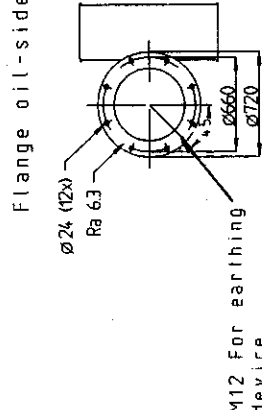
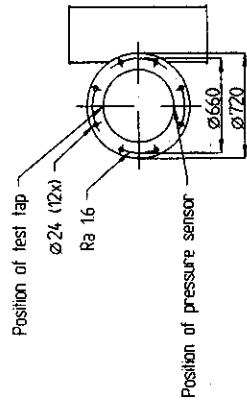
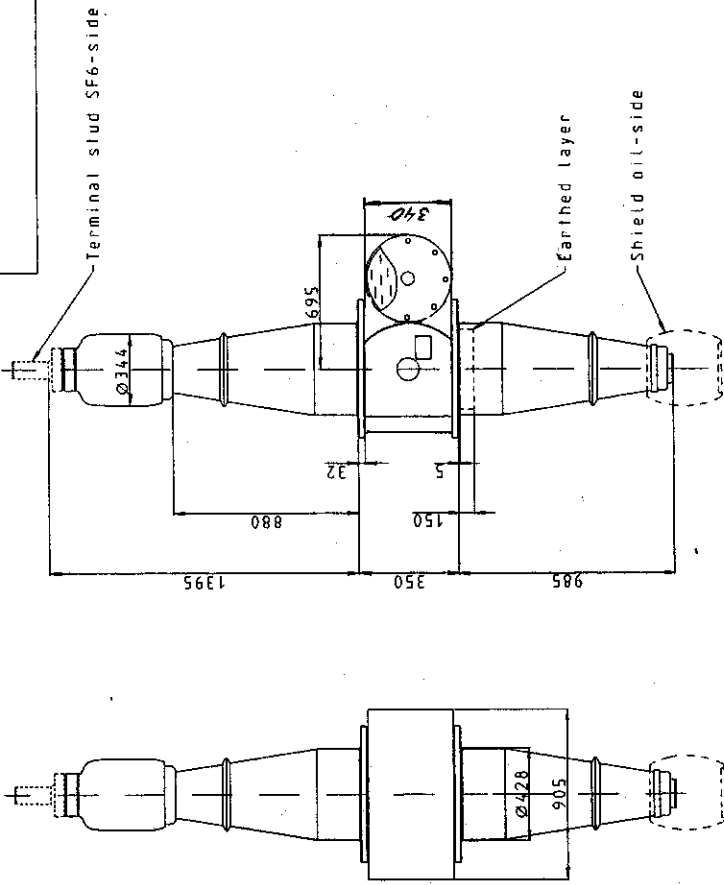
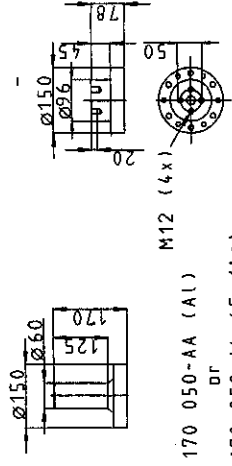
Shield SF6-side  
(Additional accessories)  
LF 170 046-F



Pressure supervision equipment  
LF 410 024-K or LF 410 024-L  
(Additional accessories)



Terminal stud SF6-side  
(Additional accessories)



Electrical data

Ratings	Rated voltage	550 kV
	Max. phase to ground	318 kV
	Rated current Vertical	2500 A
	Rated current Horizontal	1600 A
Test voltages	Lighting impulse	1675 kV
	Switching impulse	1300 kV
Routine test	Power frequency	750 kV

ABB Components AB

Bushing GOEK 1675

No	Horiz	1600 A
Un/Uy	550/318 kV	Vert. 2500 A
Test LI/SI/AC	1675/1300/750 kV	
Year	L 985 mm	M 495 kg
PF	%C1/C2	pf

Catalogue number: LF 124 003-A

Accepted for prod by	Description (English)	DATE ORIGINAL
Design checked by	GOEK 1675 FE=0	File name
Drawn by	ANDERSSON	Long Sheet
Drawn checked by	COM/BK 94 31	Rev
		Cont

2753 015-26

ABB Components

Rev No	Revision	ADD	REF	WEEK
1	310 added			

We reserve all rights in this document. Information contained therein may also be used or disclosed to third parties without express authority is strictly forbidden. © ABB 19