

**Bushing Data:**

Rated Voltage	420	kV
Phase to-earth Voltage	245	kV
Dry Lightning Impulse I, 2/50µs	1300	kV
Wet Switching Impulse	950	kV
Wet Power frequency AC	580	kV
Routine test Imin dry 50Hz	600	kV
Rated Current	2500	A
Creepage Distance	8615	mm
Mass	930	kg

**Ordering Data:**

**BUSHING**  
 LFI21064 -A / -AA COLOUR AIR INSULATOR  
 BROWN / LIGHT GREY

**OUTER TERMINAL**

LFI170 073-A AI	H2 (mm)	D2 (mm)
LFI170 073-B Cu	125	60
LFI170 073-G Cu/Ag	125	60
OTHER TYPES ON REQUEST	125	60

**END-SHIELD**

LFI170 046-U EPOXY INSULATED  
 LFI170 046-UP INSULATED WITH 3 mm PRESSBOARD

**DRAW ROD SYSTEM**

LFI170 059 LOWER DRAW ROD WITH NI=4 OR NI=6  
 LFI170 057 UPPER DRAW ROD

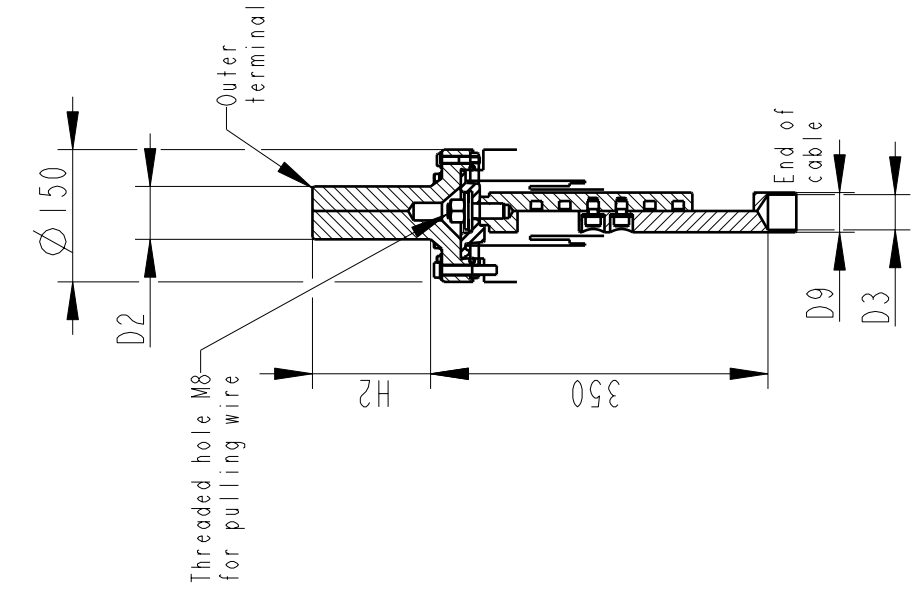
**INNER TERMINAL**

D3 (mm)	D9 (mm)	Cond. area (mm <sup>2</sup> )	Current (A)	IEEC
LFI170 056-E O*)	45	-	-	-
LFI170 056-D	40	600	1600	1360

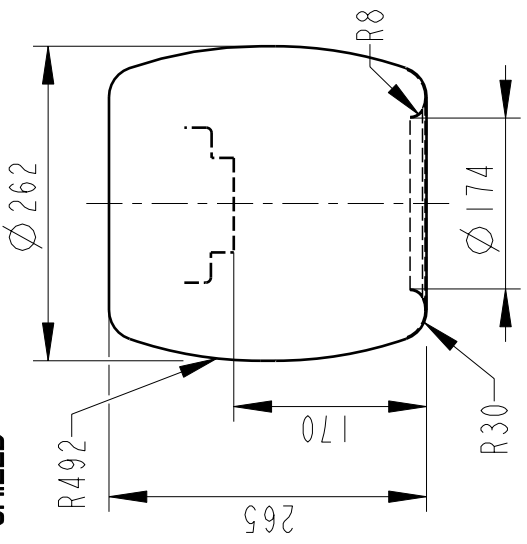
\*) WITH PILOT HOLE D=5

ABB Components		Lutiska, Sweden	
No.	kv	A	50/60 Hz
U	kv	SI	kv AC
M	kg	L	mm D
C1	pf	Tanδ	;
C2	pf	Tanδ	;

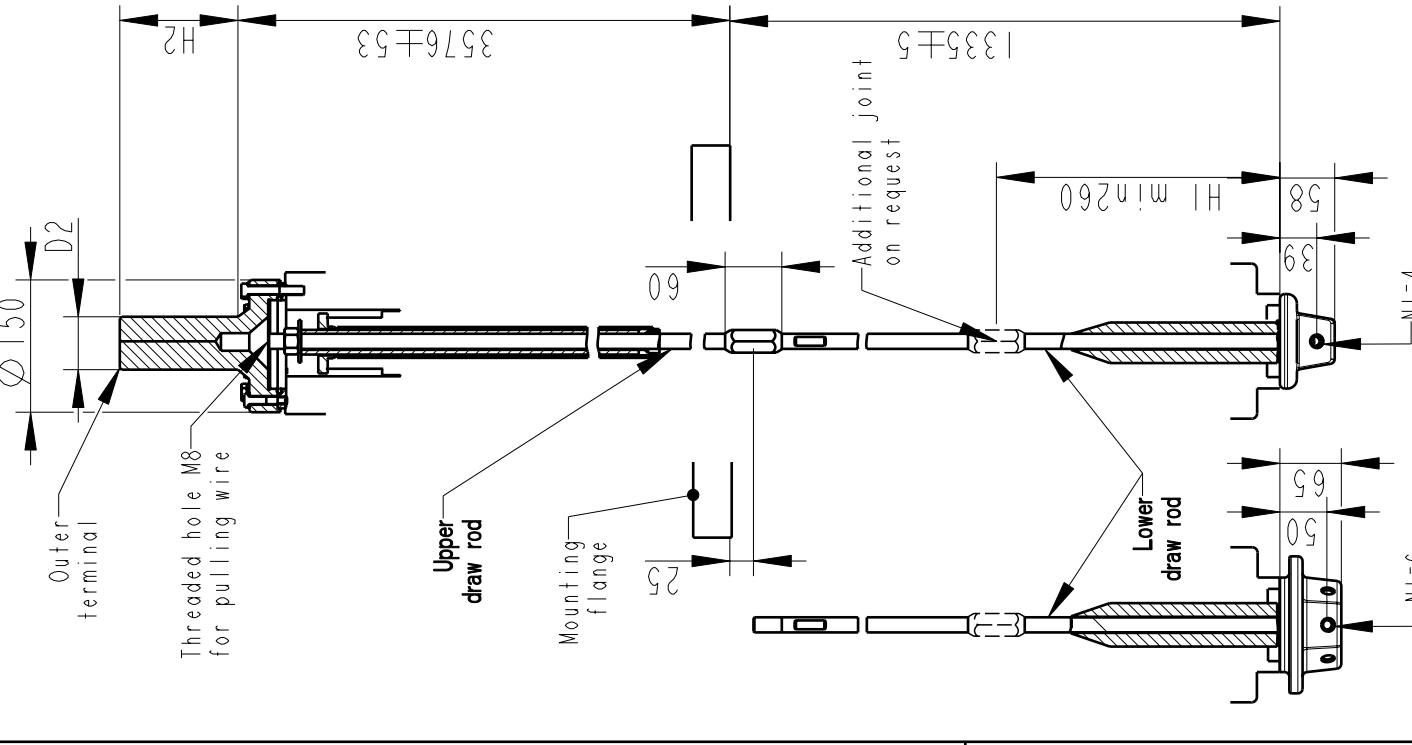
**INNER TERMINAL / OUTER TERMINAL**



**END SHIELD**



**DRAW ROD SYSTEM / OUTER TERMINAL**



NI=Number of holes M12, equipped with thread insert with screw lock, depth 20, for cable lugs.

Based on Reg. No.

Prepared LÖVnord

Approved Johansson

Design engineering review Gutman

Responsible department COM/BK 0025

Take over department Database

Title

GOE-1300-950-2500-0.6

Language

82

Page

I(1)

ABB ABB Components

Document No. 2751369-99