

Bushing Data:

Rated Voltage	362	kV
Phase to-earth Voltage	220	kV
Dry Lightning Impulse I, 2/50µs	1050	kV
Wet Switching Impulse	750	kV
Wet Power frequency AC	480	kV
Routine test Imin dry 50Hz	505	kV
Rated Current	5000	A
Creepage Distance	7205	mm
Mass	815	kg

Ordering Data:

BUSHING
 LF121063 -F / -AF COLOUR AIR INSULATOR
 BROWN / LIGHT GREY

OUTER TERMINAL

LF170 073-A Al	H2 (mm)	D2 (mm)
LF170 073-B Cu	125	60
LF170 073-G Cu/Ag	125	60
OTHER TYPES ON REQUEST	125	60

END-SHIELD
 LF170 046-U EPOXY INSULATED
 LF170 046-UP INSULATED WITH 3 mm PRESSBOARD

DRAW ROD SYSTEM
 LF170 059 LOWER DRAW ROD WITH NI=4 OR NI=6
 LF170 057 UPPER DRAW ROD

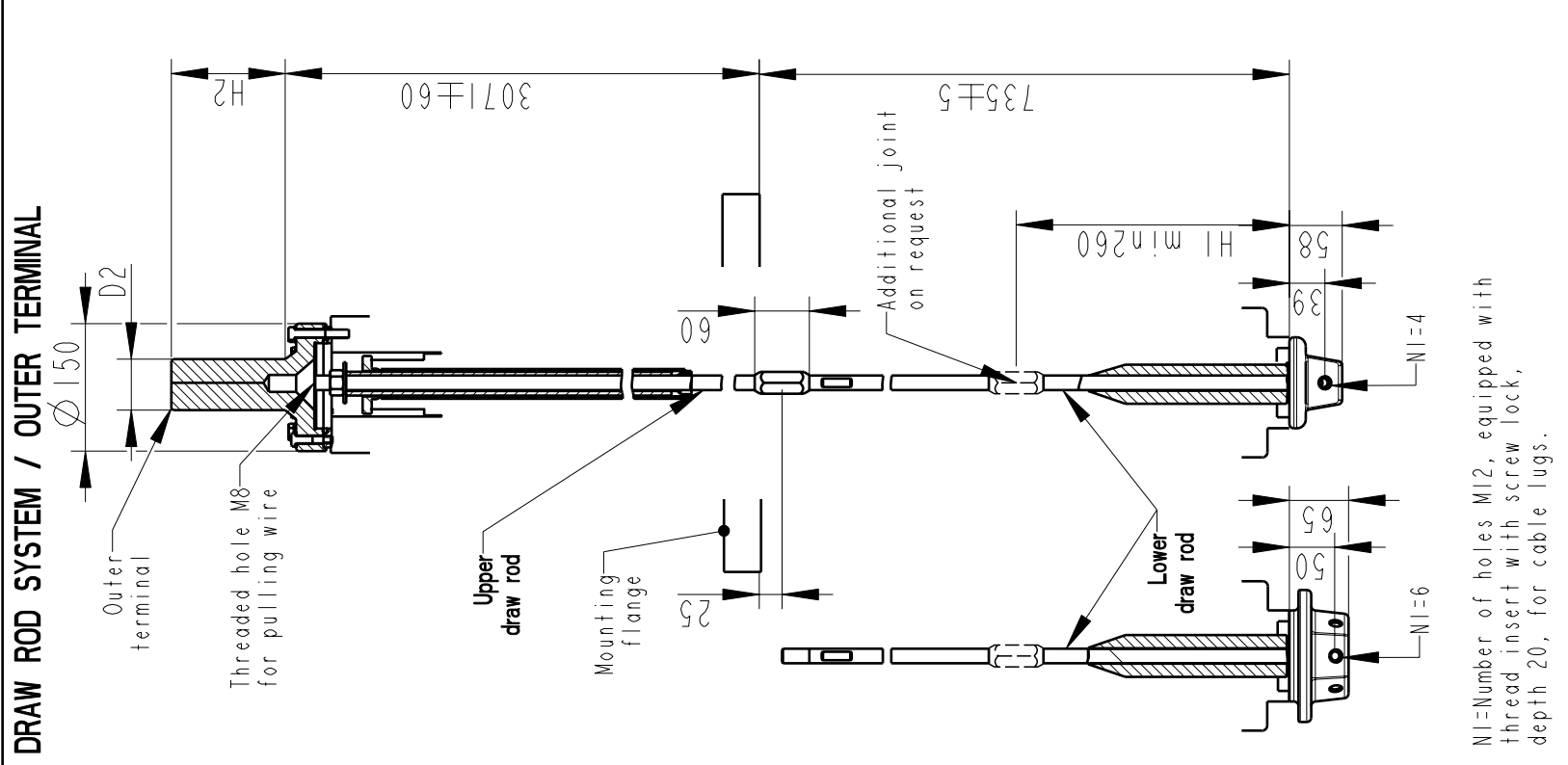
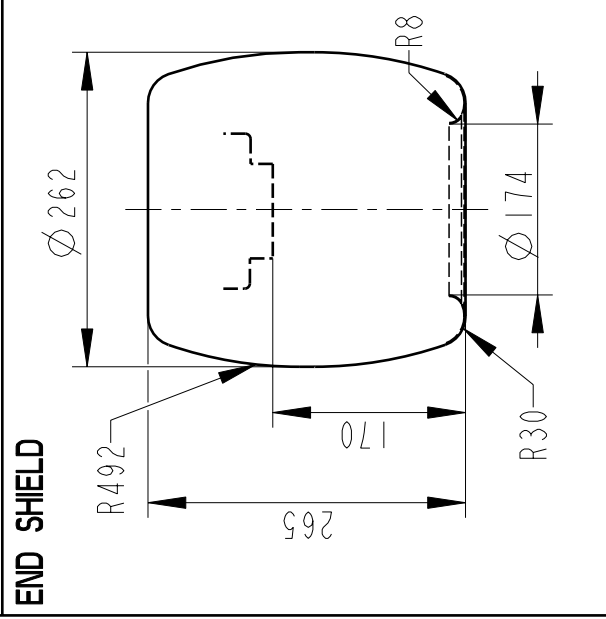
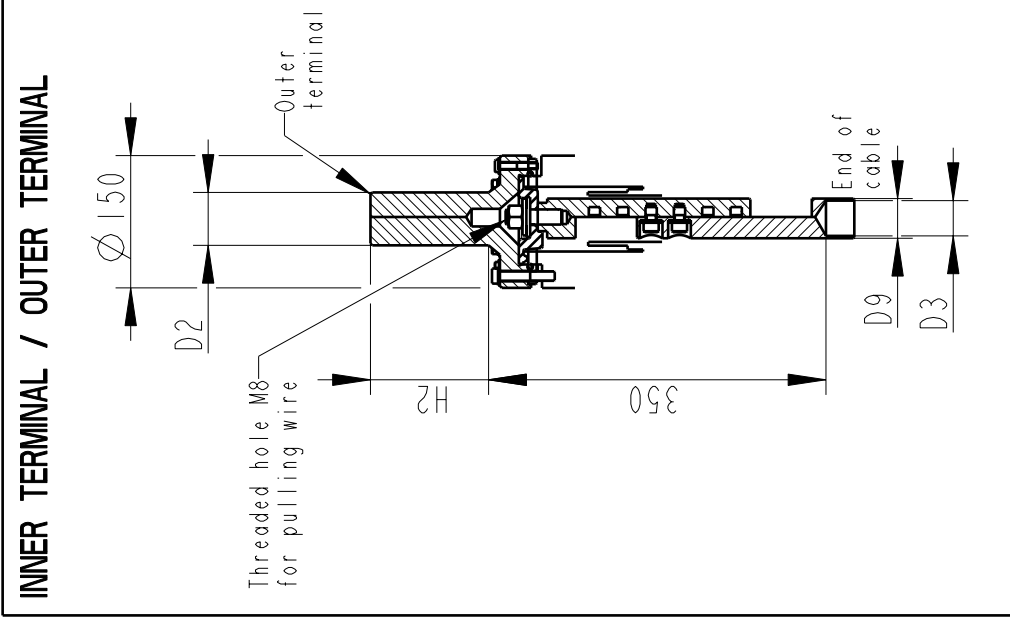
INNER TERMINAL

LF170 056-A O *)	D3 (mm)	D9 (mm)	Cond.area (mm2)	Current (A) IEC	IEEE
LF170 056-B 15	35	35	95	390	370
LF170 056-C 30	35	35	285	1000	830

*) WITH PILOT HOLE D=5

ABB Components Lutha, Sweden

No.	kV	Hz	A	50-60	Hz
U	kV	SI	kV	AC	kV
M	kg	L	mm	D	
C1	pF	Tanδ			
C2	pF	Tanδ			



NI=Number of holes M12, equipped with thread insert with screw lock, depth 20, for cable lugs.

Based on	Reg. No.	Title
Prepared Lövnord	Responsible department COM/BK 0025	GOE-1050-750-5000-0
Approved Johansson	Take over department	
Design engineering review Gutman	Database	
ABB ABB Components		Document No. 2751369-95

Rev Ind	Revision	Appd	Date
5			
6			

We reserve all rights in this document and in the information contained therein. Reproduction, use or disclosure to third parties without express authority is strictly forbidden.