

**Bushing Data:**

Rated Voltage	362	kV
Phase to-earth Voltage	220	kV
Dry Lightning Impulse	1050	kV
Wet Switching Impulse	750	kV
Wet Power frequency AC	480	kV
Routine test Imin dry 50Hz	505	kV
Rated Current	2500	A
Creepage Distance	7205	mm
Mass	775	kg

**Ordering Data:**

**BUSHING**  
 LF121063 -A / -AA COLOUR AIR INSULATOR  
 BROWN / LIGHT GREY

**OUTER TERMINAL**

	H2 (mm)	D2 (mm)
LF170 073-A Al	125	60
LF170 073-B Cu	125	60
LF170 073-G Cu/Ag	125	60

OTHER TYPES ON REQUEST

**END-SHIELD**

LF170 046-U EPOXY INSULATED  
 LF170 046-UP INSULATED WITH 3 mm PRESSBOARD

**DRAW ROD SYSTEM**

LF170 059 LOWER DRAW ROD WITH NI=4 OR NI=6  
 LF170 057 UPPER DRAW ROD

**INNER TERMINAL**

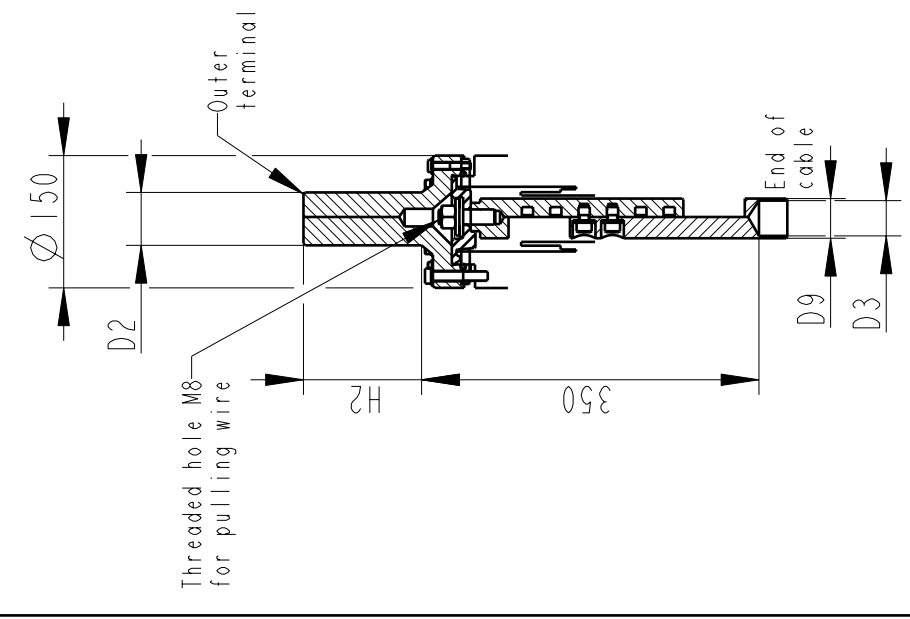
D3 (mm)	D9 (mm)	Cond.area (mm <sup>2</sup> )	Current (A)	IEEC
LF170 056-E O*)	45	-	-	-
LF170 056-D	45	600	1600	1360

\*) WITH PILOT HOLE D=5

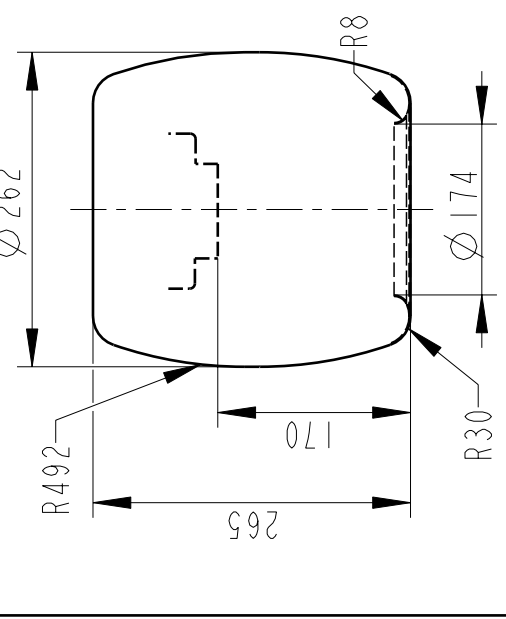
**ABB Components** Lutha, Sweden

No.	kV I	A	50/60 Hz
U	kV SI	kV AC	kV
M	kg L	mm D	
C1	pF Tanδ		
C2	pF Tanδ		

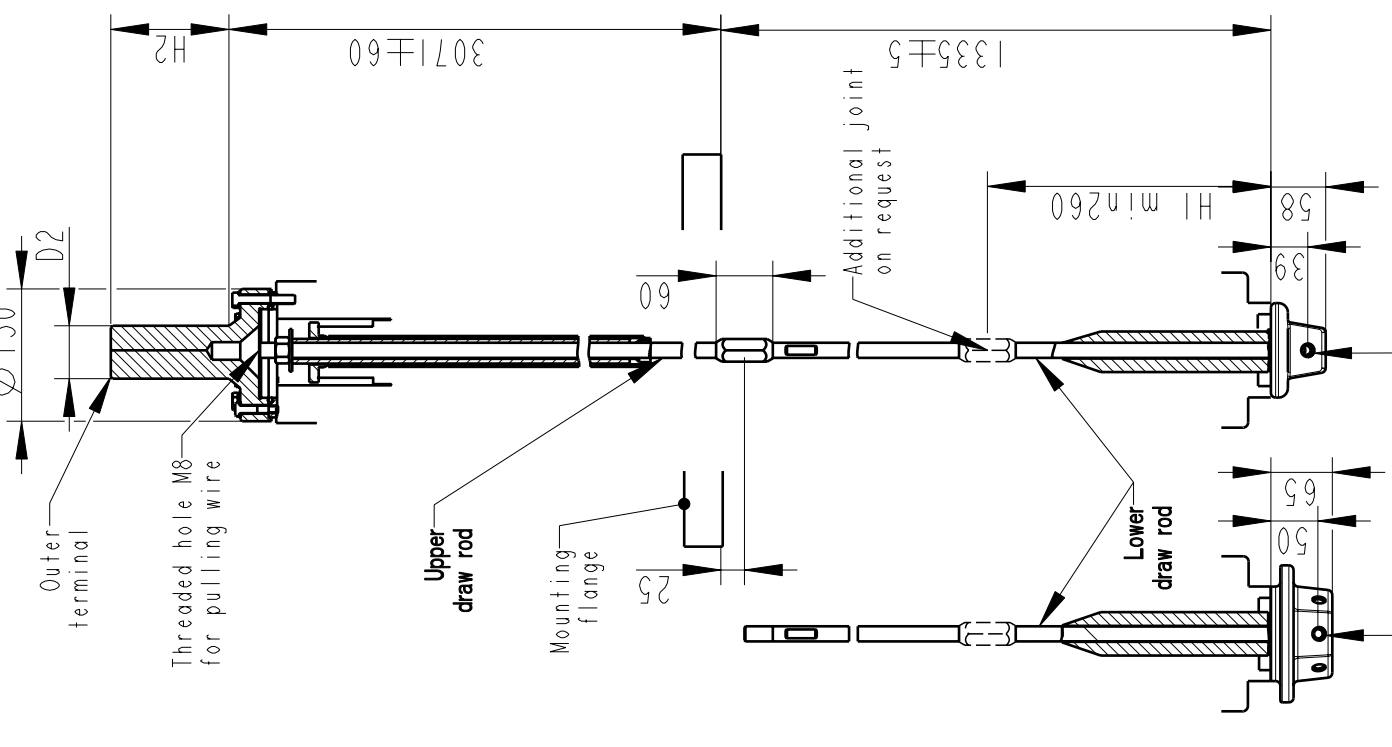
**INNER TERMINAL / OUTER TERMINAL**



**END SHIELD**



**DRAW ROD SYSTEM / OUTER TERMINAL**



NI=Number of holes M12, equipped with thread insert with screw lock, depth 20, for cable lugs.

Based on	Reg. No.	Title
Prepared	Responsible department	GOE-1050-750-2500-0.6
Lövnord	COM/BK 0022	
Approved	Take over department	
Johansson	Database	
Design engineering review		
Gutman		
Document No.		2751369-94