

Bushing Data:

Rated Voltage	362	kV
Phase to-earth Voltage	220	kV
Dry Lightning Impulse I, 2/50µs	950	kV
Wet Switching Impulse	700	kV
Wet Power frequency AC	425	kV
Routine test Imin dry 50Hz	435	kV
Rated Current	5000	A
Creepage Distance	6245	mm
Mass	805	kg

Ordering Data:

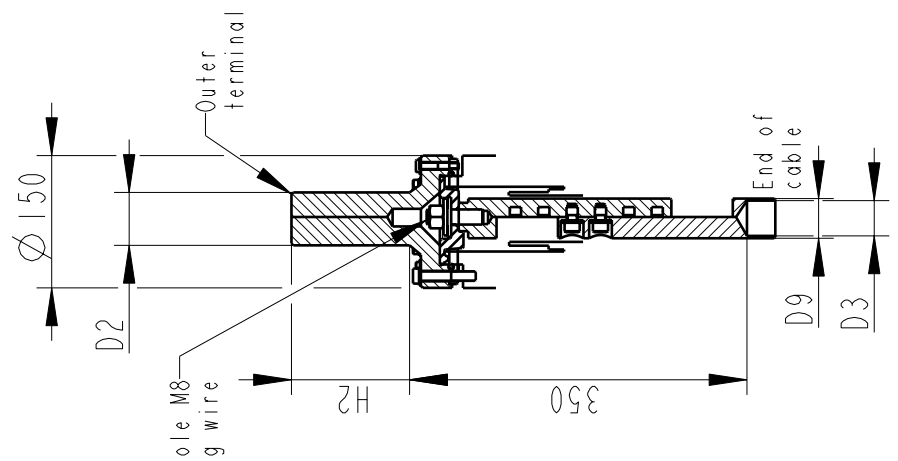
BUSHING COLOUR AIP
 LF121062 -D / -AD BROWN /

OUTER TERMINAL

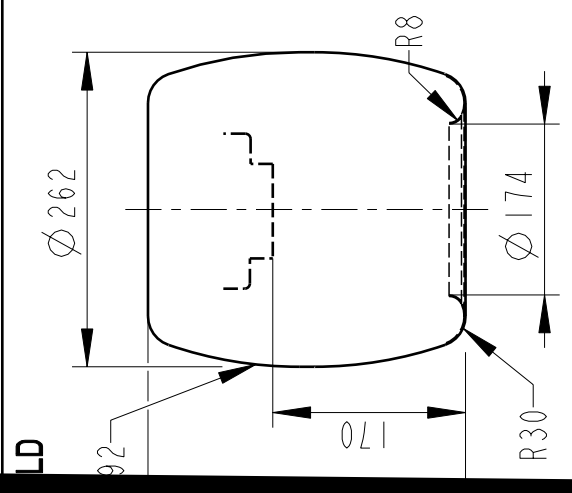
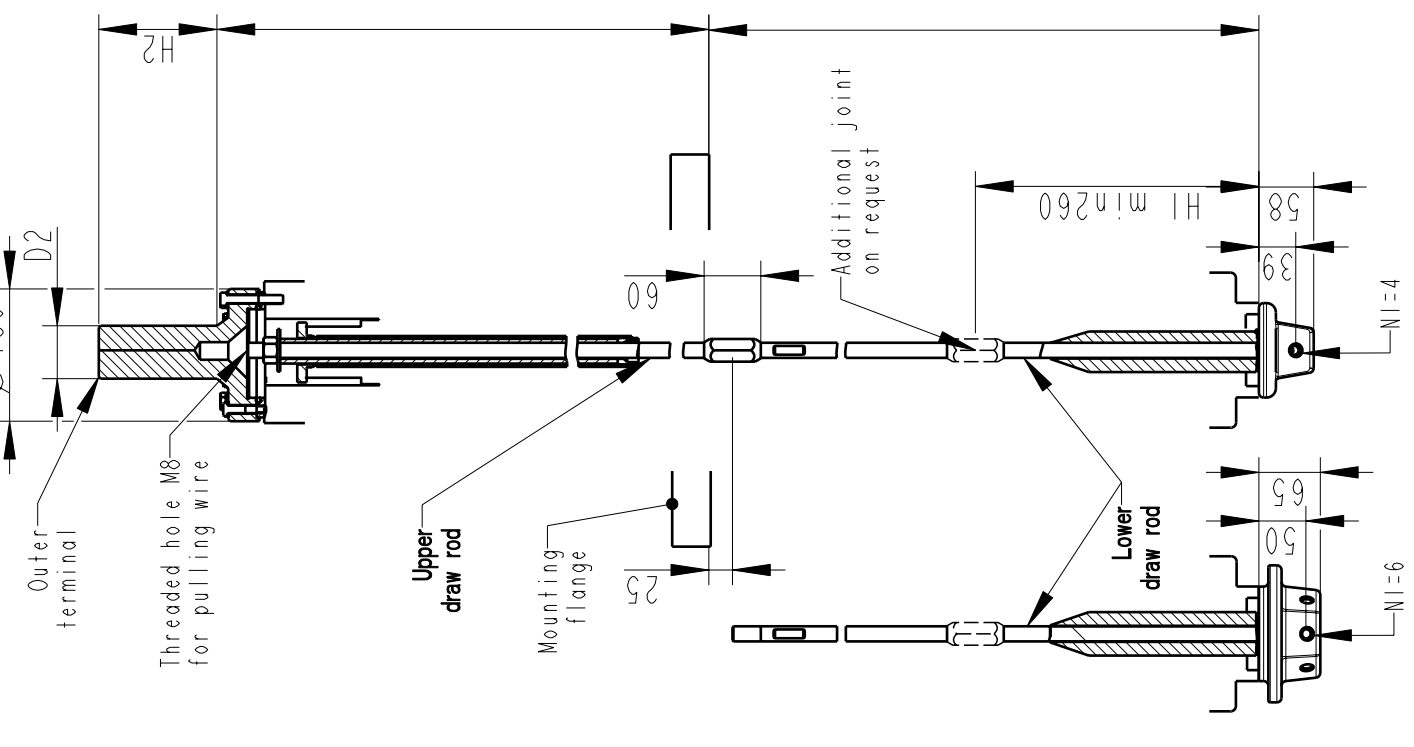
LF170 073-A Al
 LF170 073-B Cu
 LF170 073-G Cu
 OTHER TYPES

END-SHIELD
 LF170
 LF170

TERMINAL / OUTER TERMINAL



DRAW ROD SYSTEM / OUTER TERMINAL



We reserve all rights in this document and in the information contained therein. Reproduction, use or disclosure to third parties without express authority is strictly forbidden.
 ©ABB

Prepared	Responsible department	GOE-950-700-5000-0.6
Lövnord	COM/BK 0022	
Approved	Take over department	Page 82
Johansson	Database	
Design engineering review		Document No. 2751369-91
Gutman		