

Bushing Data:

Rated Voltage	362	kV
Phase to-earth Voltage	220	kV
Dry Lightning Impulse	1,2/50µs	kV
Wet Switching Impulse	700	kV
Wet Power frequency AC	425	kV
Routine test Imin dry 50Hz	435	kV
Rated Current	5000	A
Creepage Distance	6245	mm
Mass	775	kg

Ordering Data:

BUSHING
 LF121062 -E / -AE COLOUR AIR INSULATOR
 BROWN / LIGHT GREY

OUTER TERMINAL

LF170 073-A	Al	H2 (mm)	D2 (mm)
LF170 073-B	Cu	125	60
LF170 073-G	Cu/Ag	125	60
LF170 073-G	Cu/Ag	125	60

OTHER TYPES ON REQUEST

END-SHIELD
 LF170 046-U EPOXY INSULATED
 LF170 046-UP INSULATED WITH 3 mm PRESSBOARD

DRAW ROD SYSTEM
 LF170 059 LOWER DRAW ROD WITH NI=4 OR NI=6
 LF170 057 UPPER DRAW ROD

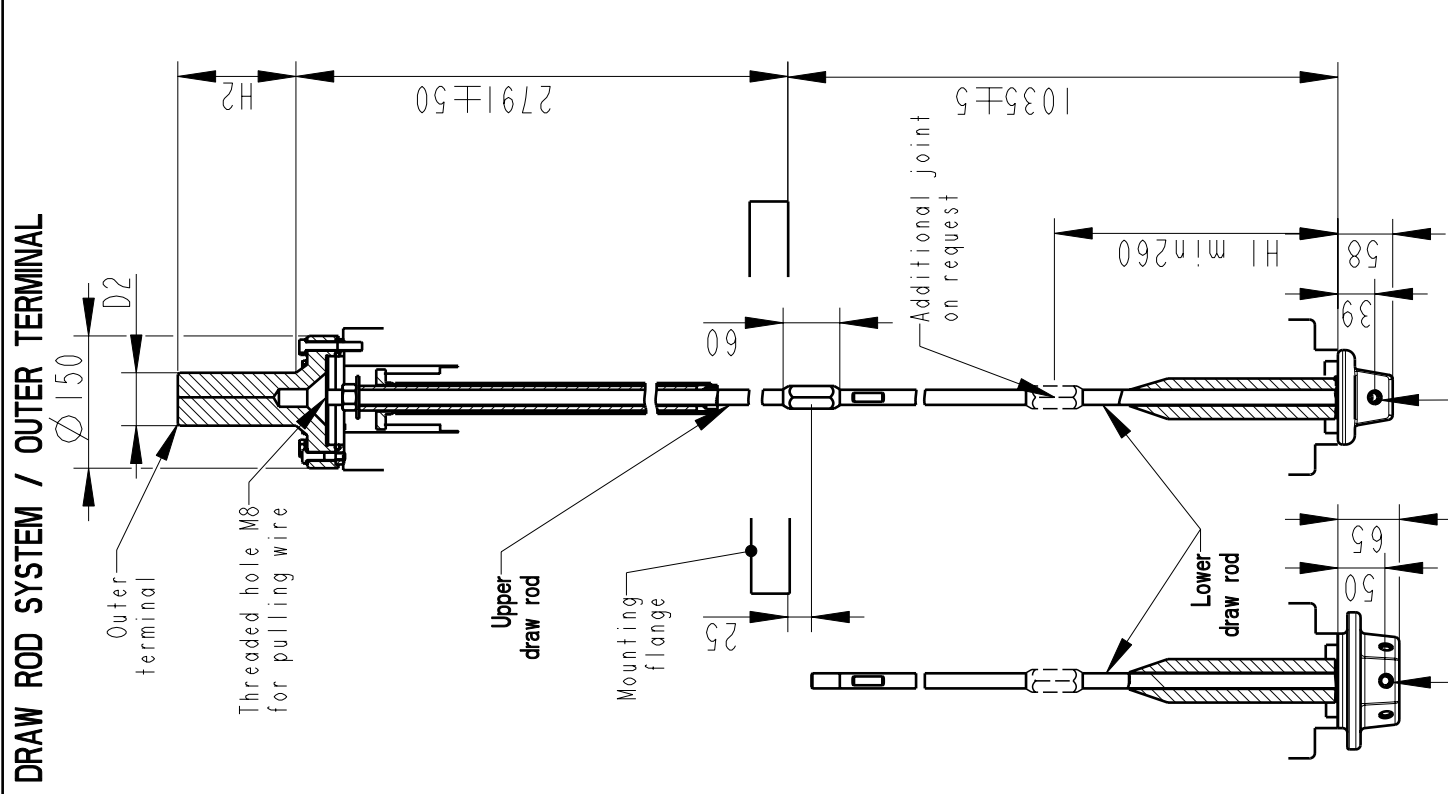
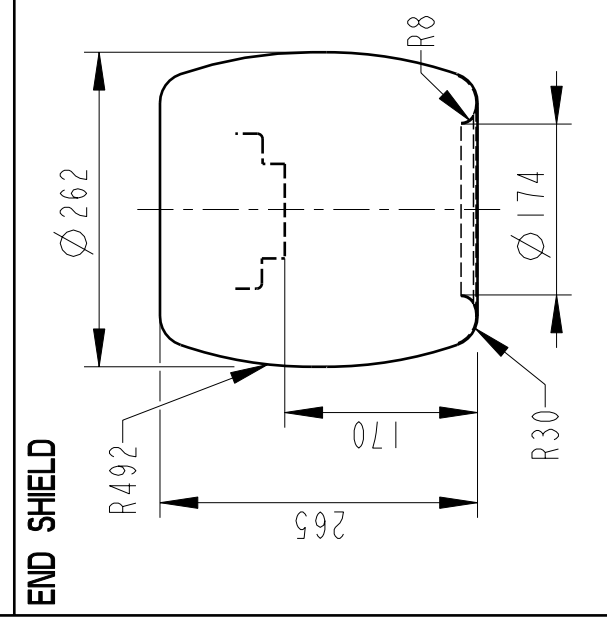
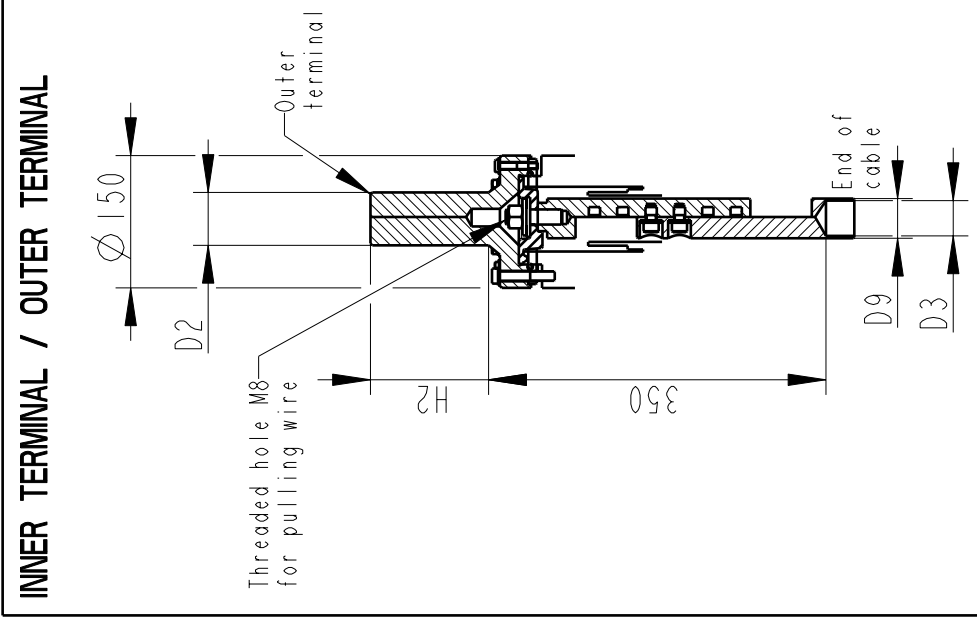
INNER TERMINAL

LF170 056-A	O *	D3 (mm)	D9 (mm)	Cond.area (mm ²)	Current (A) IEC	IEEE
LF170 056-B	15	35	95	95	390	370
LF170 056-C	30	35	285	285	1000	830

*) WITH PILOT HOLE D=5

ABB Components Lutha, Sweden

No.	kV	tr	A	50/60	Hz
U	kV	SI	kV	AC	kV
M	kg	L	mm	D	
C1	pF	Tanδ			
C2	pF	Tanδ			



NI=Number of holes M12, equipped with thread insert with screw lock, depth 20, for cable lugs.

Based on	Reg. No.	Title
Prepared	Responsible department	GOE-950-700-5000-0.3
Lövnord	COM/BK 0022	
Approved	Take over department	
Johansson	Database	
Design engineering review		
Gutman		
ABB ABB Components		Document No. 2751369-90