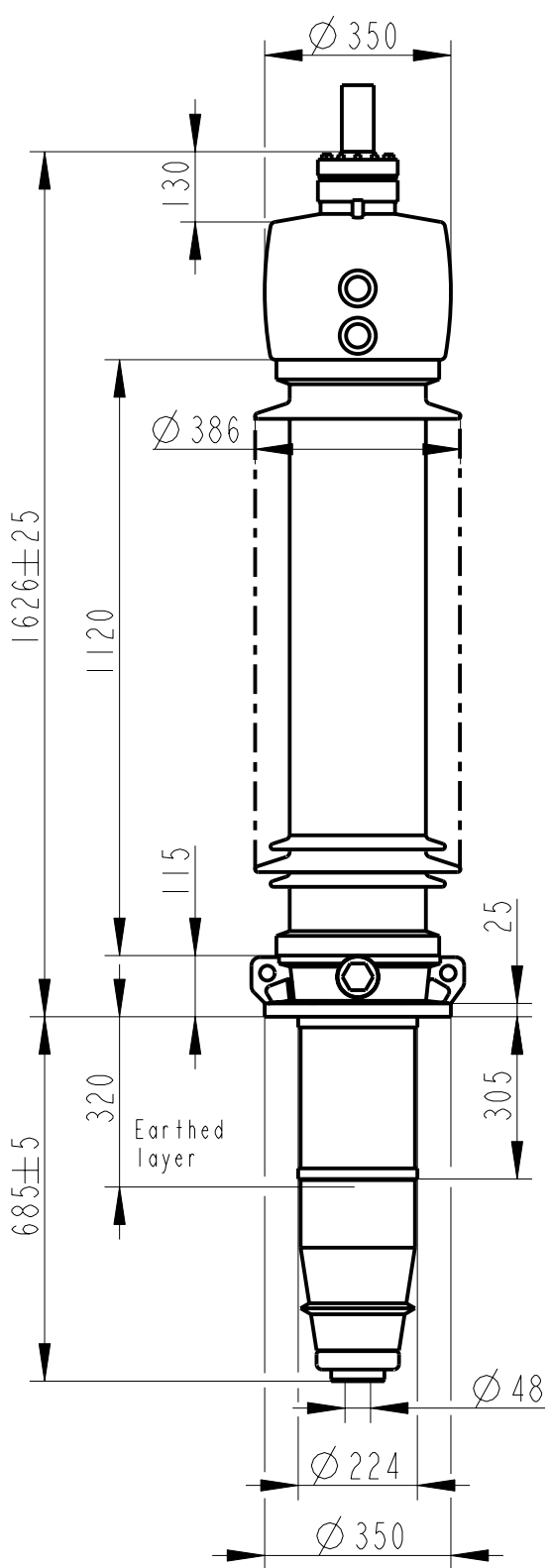


Rev	Ind	Revision	Appd	Date



### Bushing Data:

Rated Voltage	170	kV
Phase to-earth Voltage	123	kV
Dry Lightning Impulse 1,2/50µs	550	kV
Wet Switching Impulse	400	kV
Wet Power frequency AC	240	kV
Routine test Imin dry 50Hz	260	kV
Rated Current	3150	A
Creepage Distance	3355	mm
Mass	265	kg

### Ordering Data:

<b>BUSHING</b>	COLOUR AIR INSULATOR
LF121053 -B / -AB	BROWN / LIGHT GREY
<b>OUTER TERMINAL</b>	
	H2 D2
	(mm) (mm)
LF170 073-A Al	125 60
LF170 073-B Cu	125 60
LF170 073-G Cu/Ag	125 60
OTHER TYPES ON REQUEST	

### END-SHIELD

LF170 046-U EPOXY INSULATED
LF170 046-UP INSULATED WITH 3 mm PRESSBOARD

### DRAW ROD SYSTEM

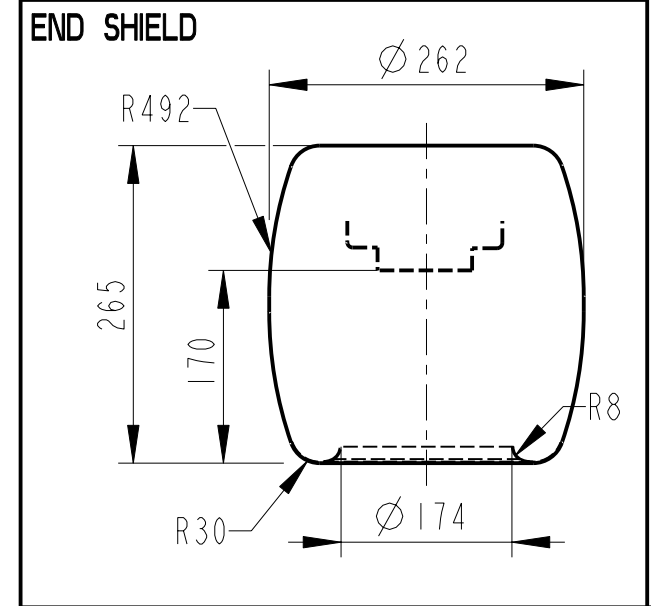
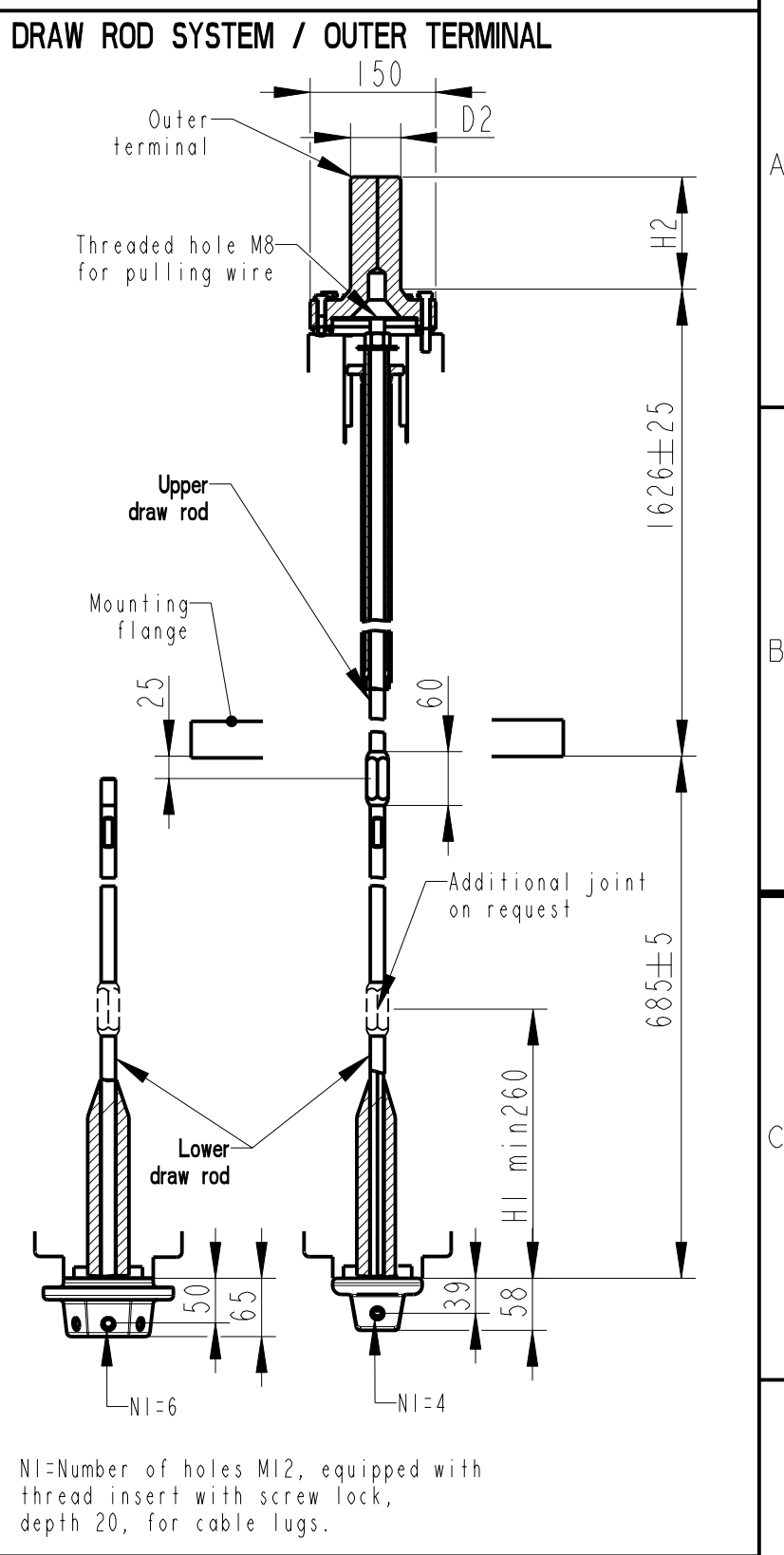
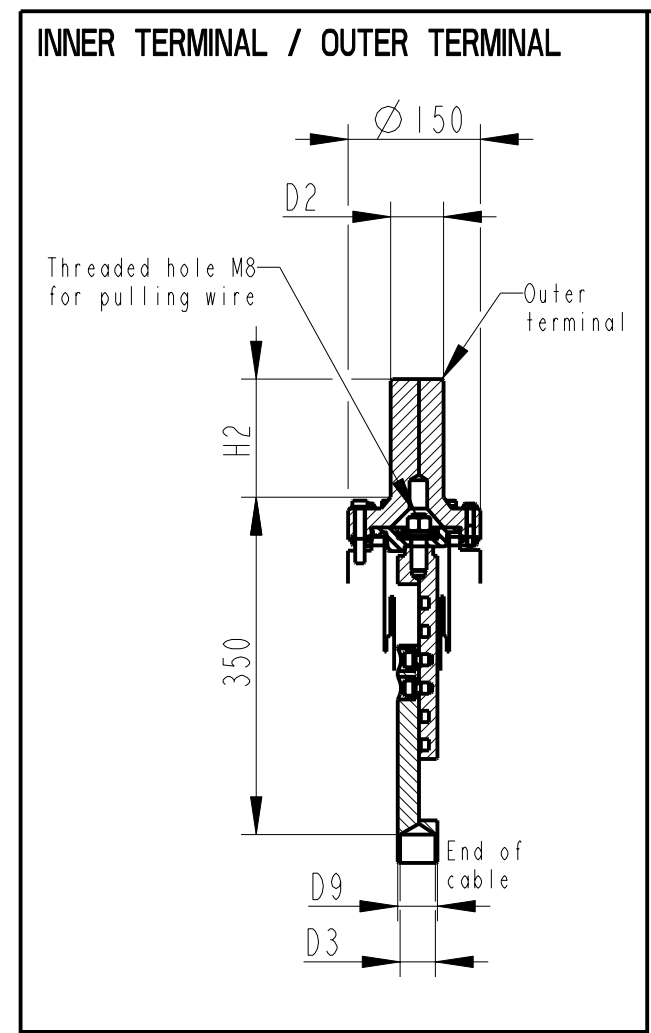
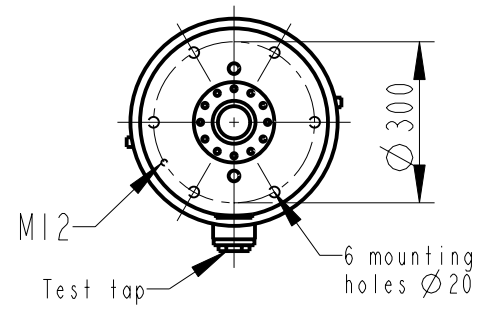
LF170 059 LOWER DRAW ROD WITH NI=4 OR NI=6
LF170 057 UPPER DRAW ROD

### INNER TERMINAL

	D3	D9	Cond. area	Current (A)
	(mm)	(mm)	(mm <sup>2</sup> )	IEC IEEE
LF170 056-E O *)	45	-	-	-
LF170 056-D	40	45	600	1600 1360

\*) WITH PILOT HOLE D=5

ABB Components		Ludvika, Sweden	
Ur-ty	Nb	kV	A 50-60 Hz
U	kV	SI	kV AC kV
M	kg	L	mm D
C1	pF	Tanδ	;
C2	pF	Tanδ	;



Based on	Reg. No.	Title	Language
Prepared Lövnord	Responsible department COM/BK 0022	GOE-450-400-3150-0.3	
Approved Johansson	Take over department		Page 1(1)
Design engineering review Gutman	Database	Document No. 2751369-9	

We reserve all rights in this document and in the information contained therein. Reproduction, use or disclosure to third parties without express authority is strictly forbidden. ©ABB