

Bushing Data:

Rated Voltage	362	kV	
Phase to-earth Voltage	220	kV	
Dry Lightning Impulse	950	kV	
Wet Lightning Impulse	1,2/50µs	700	kV
Wet Switching Impulse	425	kV	
Wet Power frequency AC	435	kV	
Routine test Imin dry 50Hz	2500	A	
Rated Current	6245	mm	
Creepage Distance	710	kg	
Mass			

Ordering Data:

BUSHING
 LFI21062 -A / -AA
 COLOUR AIR INSULATOR
 BROWN / LIGHT GREY

OUTER TERMINAL

LFI170 073-A AI	H2 (mm)	D2 (mm)
LFI170 073-B Cu	125	60
LFI170 073-G Cu/Ag	125	60
OTHER TYPES ON REQUEST	125	60

END-SHIELD

LFI170 046-U EPOXY INSULATED
 LFI170 046-UP INSULATED WITH 3 mm PRESSBOARD

DRAW ROD SYSTEM

LFI170 059 LOWER DRAW ROD WITH NI=4 OR NI=6
 LFI170 057 UPPER DRAW ROD

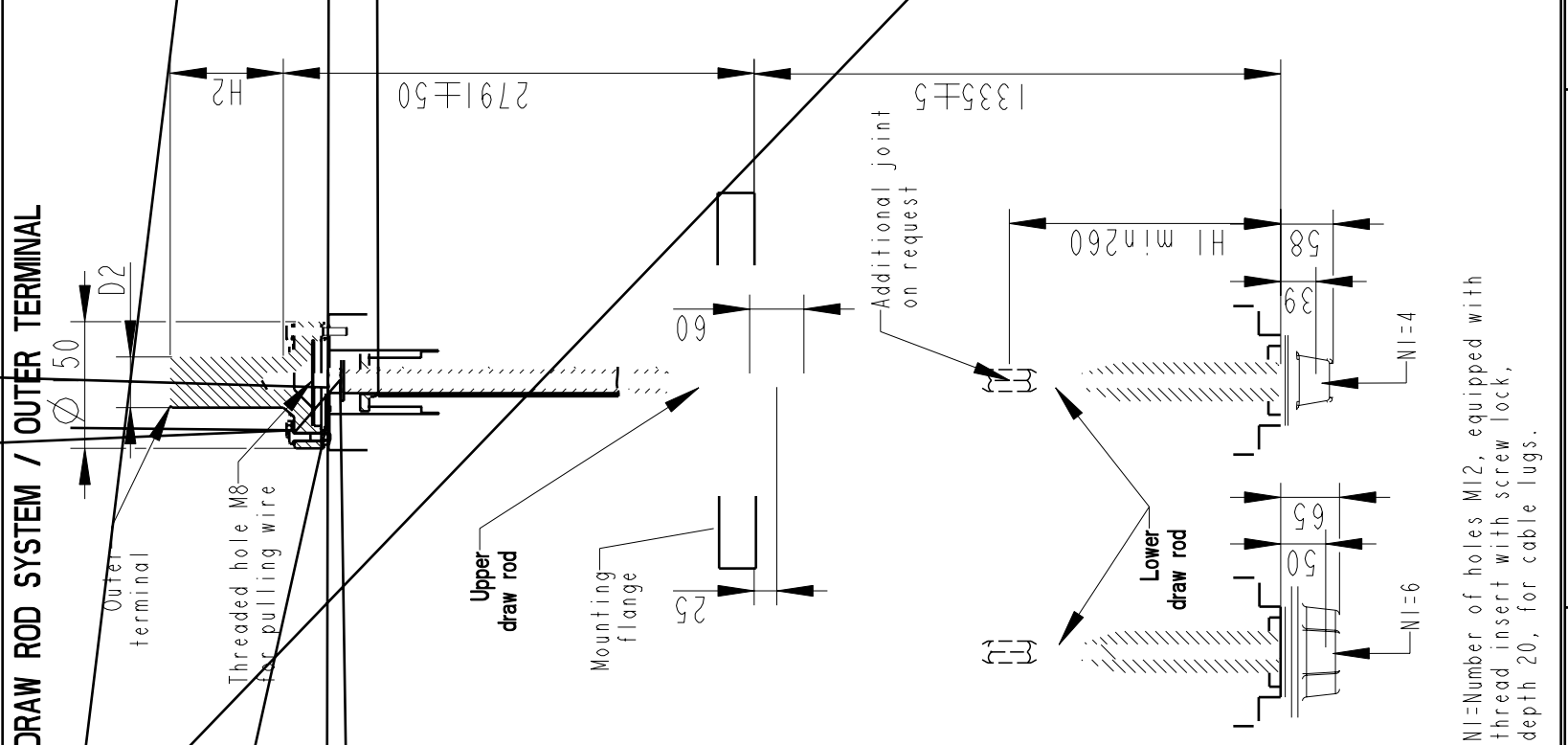
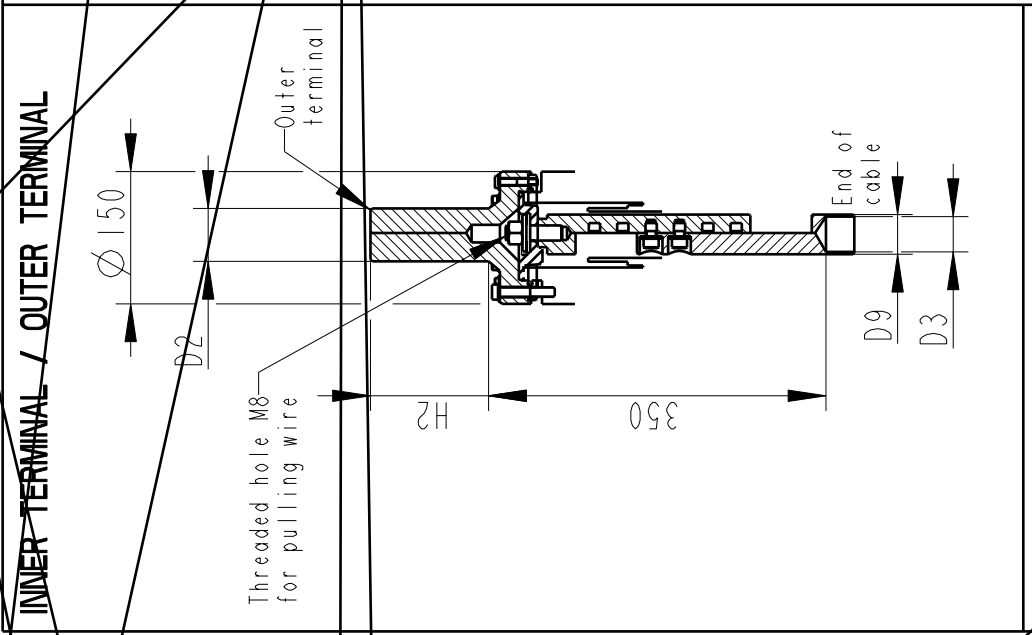
INNER TERMINAL

D3 (mm)	D9 (mm)	Cond. area (mm ²)	Current (A)	IEEC
LFI170 056-E O*)	45	-	-	IEEE
LFI170 056-D	40	45	600	1600
				1360

*) WITH PILOT HOLE D=5

ABB Components Lutha, Sweden

No.	kV	A	50/60	Hz
U ₁	kV	SI	kV	AC
U ₂	kg	L	mm	V
C1	pF	Tanδ		
C2	pF	Tanδ		



Based on	Reg. No.	Title
Prepared	Responsible department	GOE-950-700-2500-0.6
Lövnord	COM/BK 0022	
Approved	Take over department	
Johansson	Database	
Design engineering review		
Gutman		
ABB ABB Components		Document No. 2751369-88
Language 82		Page I(1)

We reserve all rights in this document and in the information contained therein. Reproduction, use or disclosure to third parties without express authority is strictly forbidden.
 ©ABB