

Bushing Data:

Rated Voltage	145	kV
Phase to-earth Voltage	95	kV
Dry Lightning Impulse I, 2/50µs	450	kV
Wet Switching Impulse	350	kV
Wet Power frequency AC	210	kV
Routine test Imin dry 50Hz	210	kV
Rated Current	5000	A
Creepage Distance	2870	mm
Mass	315	kg

Ordering Data:

BUSHING
 LF121057 -C / -AC
 COLOUR AIR INSULATOR
 BROWN / LIGHT GREY

OUTER TERMINAL

LF170 073-A	Al	H2 (mm)	D2 (mm)
LF170 073-B	Cu	125	60
LF170 073-G	Cu/Ag	125	60
LF170 073-G	Cu/Ag	125	60

OTHER TYPES ON REQUEST

END-SHIELD

LF170 046-U EPOXY INSULATED
 LF170 046-UP INSULATED WITH 3 mm PRESSBOARD

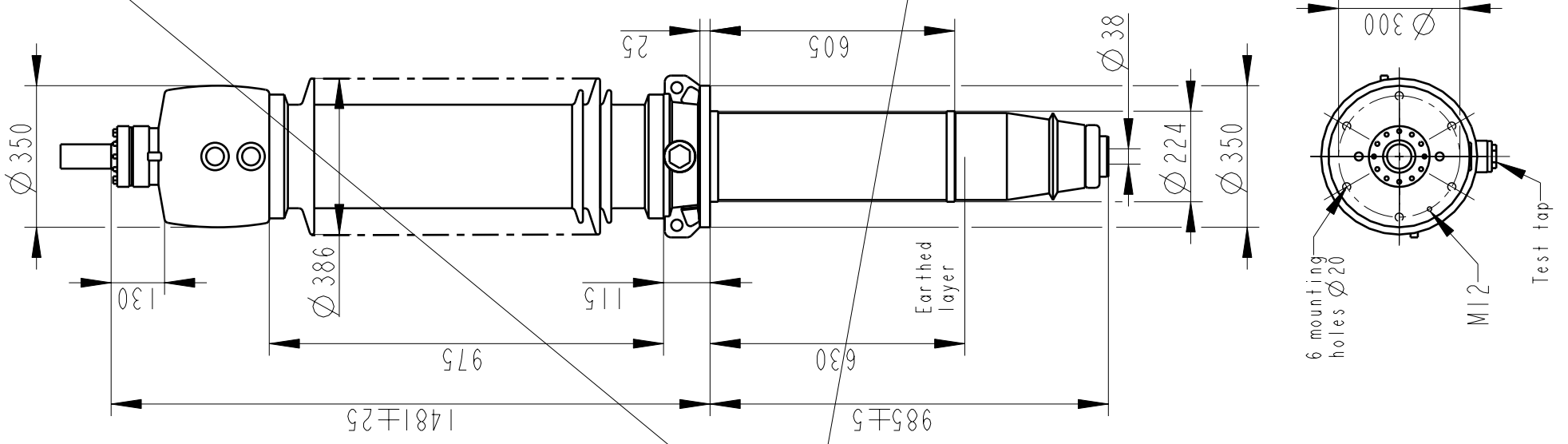
DRAW ROD SYSTEM

LF170-Ør

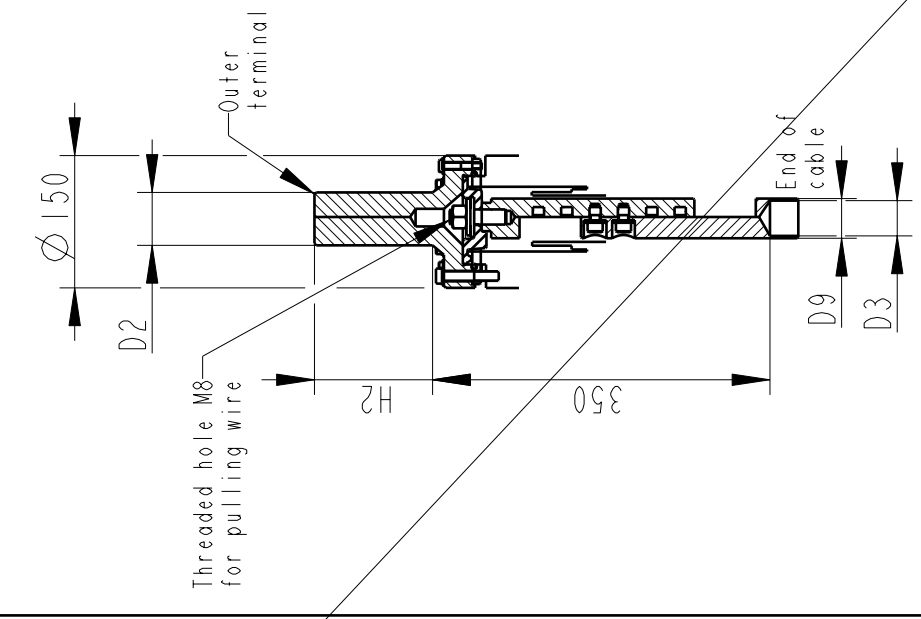
LF170 056-C 30 35 285 1000 830
 *) WITH PILOT HOLE D=5

ABB Components Lutha, Sweden

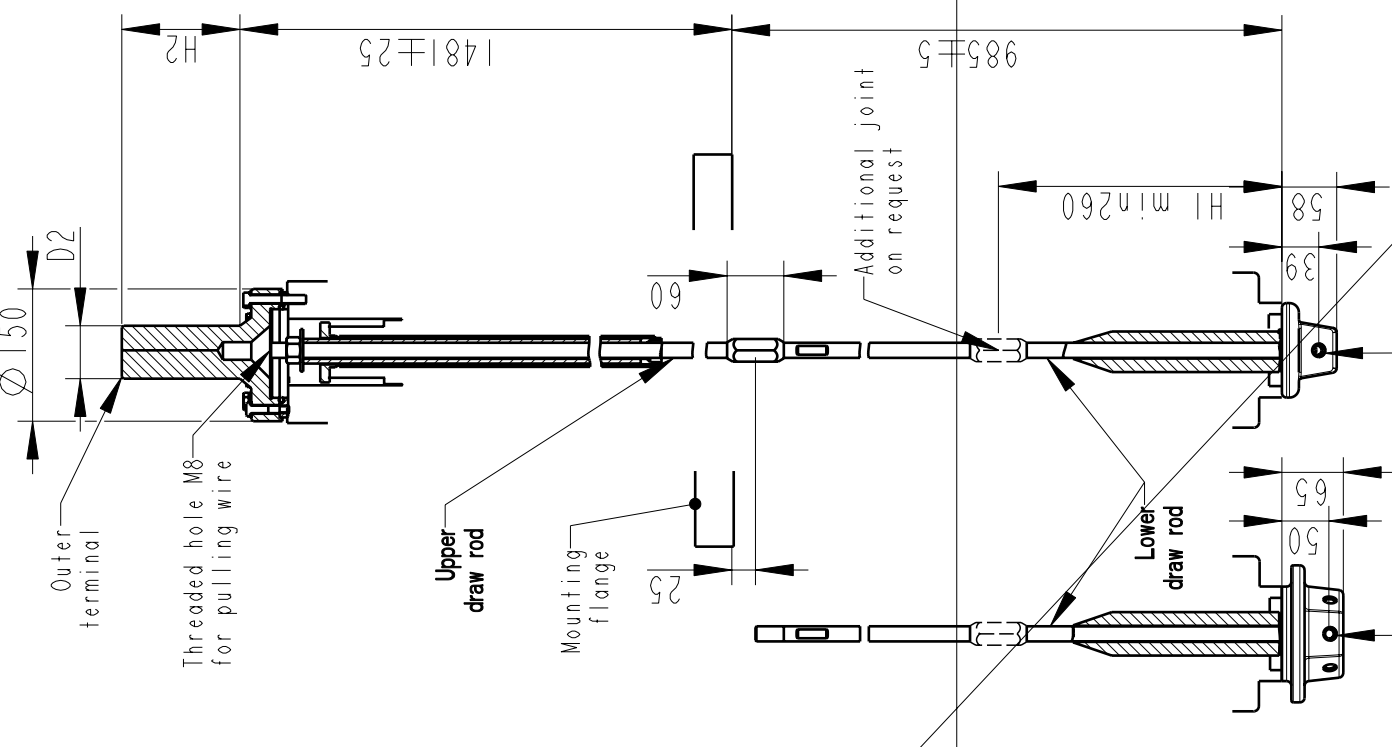
No.	kV r	A	50/60 Hz
Urdy	kV SI	kV AC	kV
U	kg L	mm D	
M	Cl	pF Tamδ	r
C2		pF Tamδ	r



INNER TERMINAL / OUTER TERMINAL

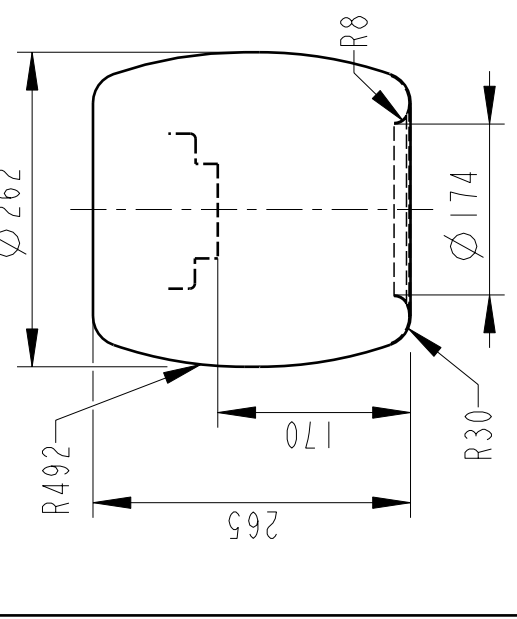


DRAW ROD SYSTEM / OUTER TERMINAL



NI=Number of holes M12, equipped with thread insert with screw lock, depth 20, for cable lugs.

END SHIELD



Based on	Reg. No.	Title
Prepared Lövnord	Responsible department COM/BK 0022	GOE-450-350-5000-0.6
Approved Johansson	Take over department	
Design engineering review Gutman	Database	
Language		82
Page		1(1)
Document No.		2751369-85