

Bushing Data:

Rated Voltage	145	kV
Phase to-earth Voltage	95	kV
Dry Lightning Impulse I, 2/50µs	450	kV
Wet Switching Impulse	350	kV
Wet Power frequency AC	210	kV
Routine test Imin dry 50Hz	210	kV
Rated Current	5000	A
Creepage Distance	2870	mm
Mass	295	kg

Ordering Data:

BUSHING
 LFI21057 -D / -AD COLOUR AIR INSULATOR
 BROWN / LIGHT GREY

OUTER TERMINAL

LFI170 073-A Al	H2 (mm)	D2 (mm)
LFI170 073-B Cu	125	60
LFI170 073-G Cu/Ag	125	60
LFI170 073-G Cu/Ag	125	60

OTHER TYPES ON REQUEST

END-SHIELD

LFI170 046-U EPOXY INSULATED
 LFI170 046-UP INSULATED WITH 3 mm PRESSBOARD

DRAW ROD SYSTEM

LFI170 059 LOWER DRAW ROD WITH NI=4 OR NI=6
 LFI170 057 UPPER DRAW ROD

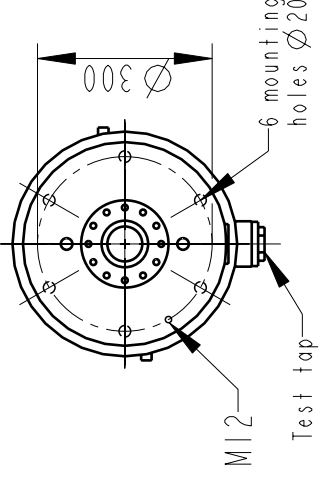
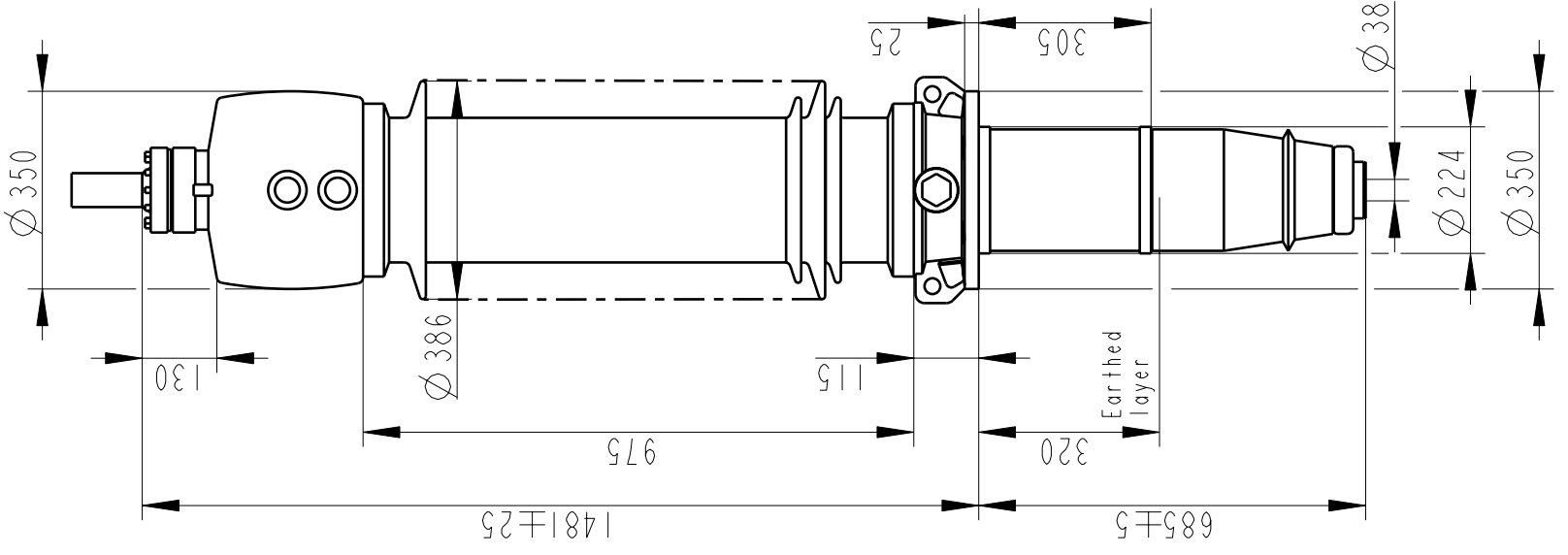
INNER TERMINAL

D3 (mm)	D9 (mm)	Cond. area (mm ²)	Current (A) IEC	IEEE
LFI170 056-A O*)	35	-	-	-
LFI170 056-B 15	35	95	390	370
LFI170 056-C 30	35	285	1000	830

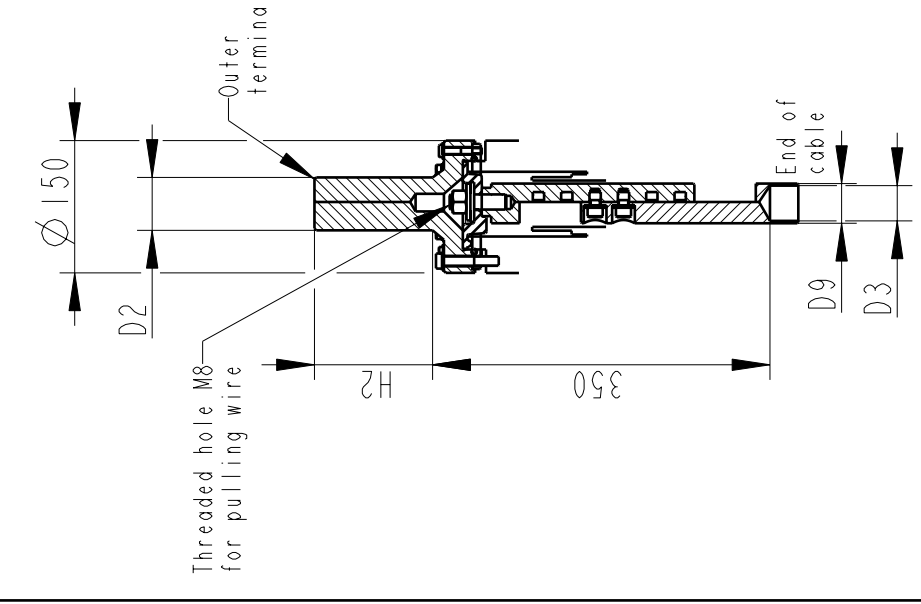
*) WITH PILOT HOLE D=5

ABB Components Lutha, Sweden

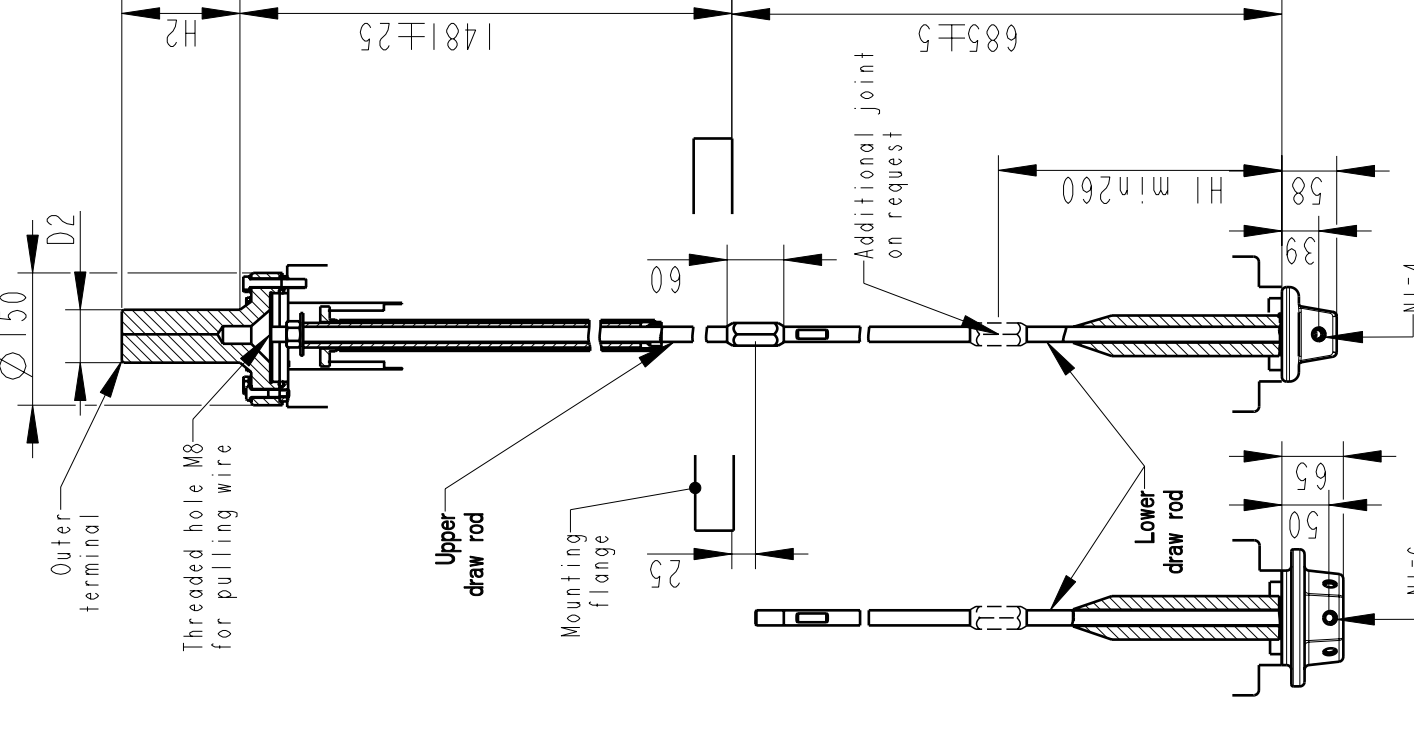
No.	kV I	A	50/60 Hz
U	kV SI	kV AC	kV
M	kg L	mm D	
C1	pF Tanδ		
C2	pF Tanδ		



INNER TERMINAL / OUTER TERMINAL

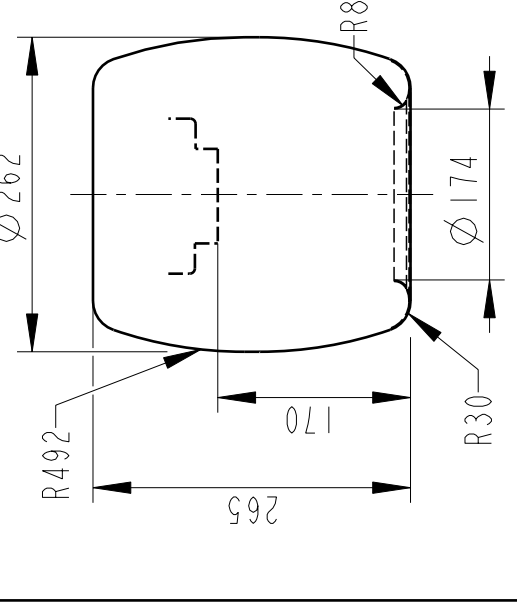


DRAW ROD SYSTEM / OUTER TERMINAL



NI=Number of holes M12, equipped with thread insert with screw lock, depth 20, for cable lugs.

END SHIELD



We reserve all rights in this document and in the information contained therein. Reproduction, use or disclosure to third parties without express authority is strictly forbidden.

Based on	Reg. No.	Title
Prepared	Responsible department	GOE-450-350-5000-0.3
Lövnord	COM/BK 0022	
Approved	Take over department	
Johansson	Database	
Design engineering review		
Gutman		
ABB ABB Components		Document No. 2751369-84
Language		82
Page		I(1)