

Bushing Data:

Rated Voltage	145	kV
Phase to-earth Voltage	95	kV
Dry Lightning Impulse I, 2/50µs	450	kV
Wet Switching Impulse	350	kV
Wet Power frequency AC	210	kV
Routine test Imin dry 50Hz	210	kV
Rated Current	3150	A
Creepage Distance	2870	mm
Mass	240	kg

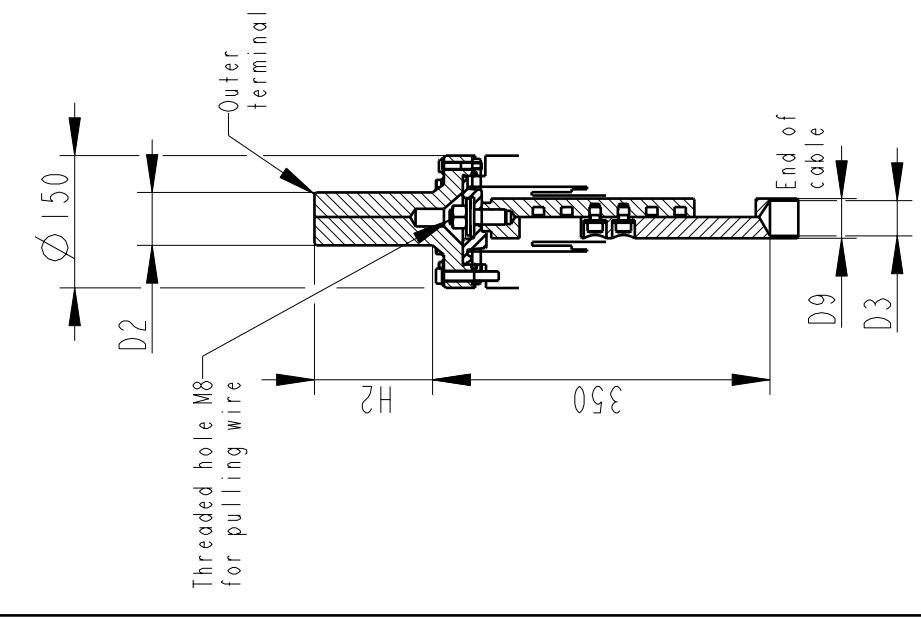
Ordering Data:

BUSHING	COLOUR AIR INSULATOR				
LF121057 -E / -AE	BROWN / LIGHT GREY				
OUTER TERMINAL	H2 (mm)	D2 (mm)			
LF170 073-A Al	125	60			
LF170 073-B Cu	125	60			
LF170 073-G Cu/Ag	125	60			
OTHER TYPES ON REQUEST					
END-SHIELD	LF170 046-U EPOXY INSULATED				
LF170 046-UP INSULATED WITH 3 mm PRESSBOARD					
DRAW ROD SYSTEM	LF170 059 LOWER DRAW ROD WITH NI=4 OR NI=6				
LF170 057 UPPER DRAW ROD					
INNER TERMINAL	D3 (mm)	D9 (mm)	Cond. area (mm ²)	Current (A)	IEEC
LF170 056-E O*)	45	45	-	-	-
LF170 056-D	40	45	600	1600	1360

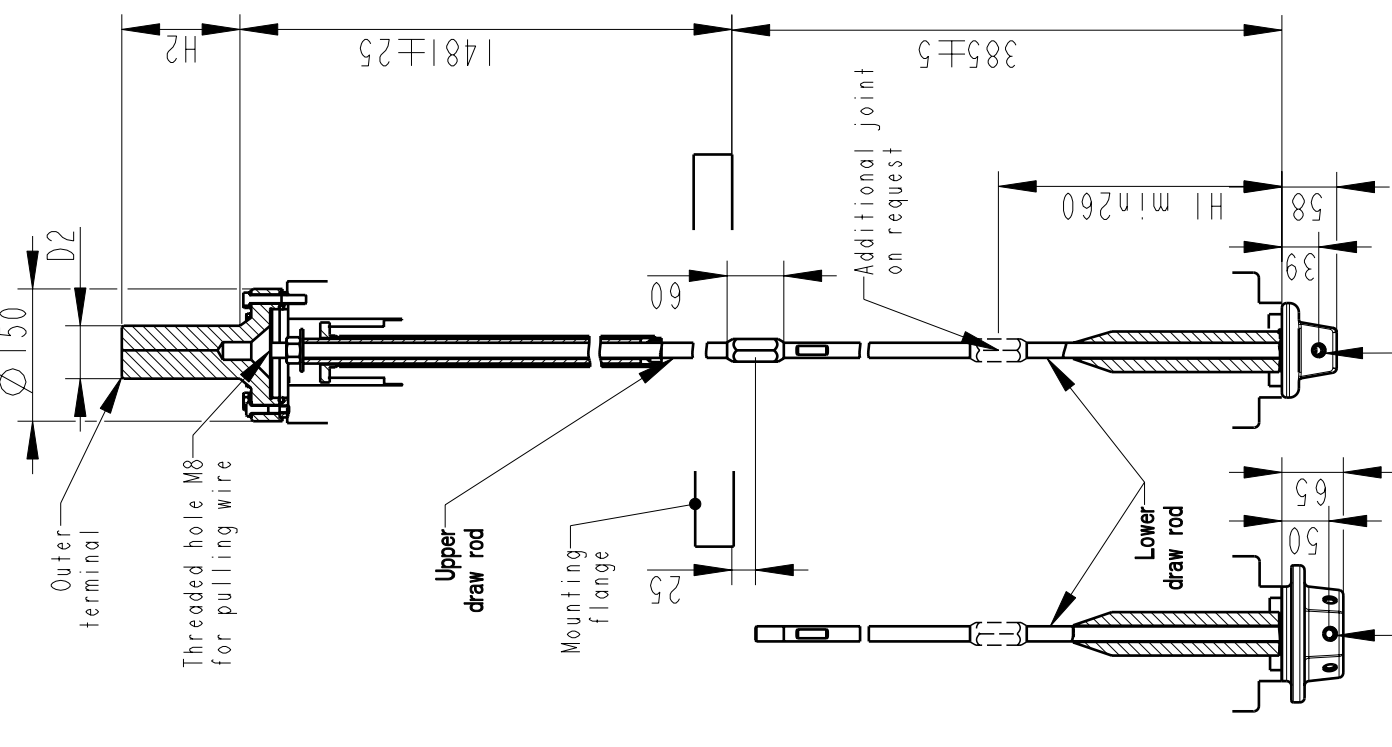
*) WITH PILOT HOLE D=5

ABB Components		Lutiska, Sweden	
No.	kV	A	50-60 Hz
U ₁	kV	SI	kV AC
M	kg	L	mm D
C1	pF	Tanδ	;
C2	pF	Tanδ	;

INNER TERMINAL / OUTER TERMINAL

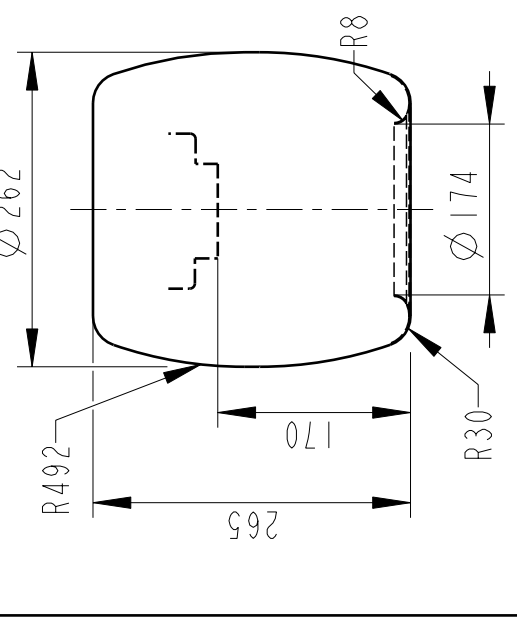


DRAW ROD SYSTEM / OUTER TERMINAL



NI=Number of holes M12, equipped with thread insert with screw lock, depth 20, for cable lugs.

END SHIELD



Based on	Reg. No.	Title	
Prepared	Responsible department	GOE-450-350-3150-0	
Lövnord	COM/BK 0022		
Approved	Take over department		
Johansson	Database		
Design engineering review			
Gutman			
ABB ABB Components		Document No. 2751369-80	
		Language	82
		Page	1(1)