

Bushing Data:

Rated Voltage	72.5	kV
Phase to-earth Voltage	72.5	kV
Dry Lightning Impulse I, 2/50µs	350	kV
Wet Switching Impulse	250	kV
Wet Power frequency AC	150	kV
Routine test Imin dry 50Hz	175	kV
Rated Current	3150	A
Creepage Distance	1905	mm
Mass	220	kg

Ordering Data:

BUSHING
 LFI21056 -A / -AA COLOUR AIR INSULATOR
 BROWN / LIGHT GREY

OUTER TERMINAL

LFI170 073-A Al	H2 (mm)	D2 (mm)
LFI170 073-B Cu	125	60
LFI170 073-G Cu/Ag	125	60
OTHER TYPES ON REQUEST	125	60

END-SHIELD
 LFI170 046-U EPOXY INSULATED
 LFI170 046-UP INSULATED WITH 3 mm PRESSBOARD

DRAW ROD SYSTEM
 LFI170 059 LOWER DRAW ROD WITH NI=4 OR NI=6
 LFI170 057 UPPER DRAW ROD

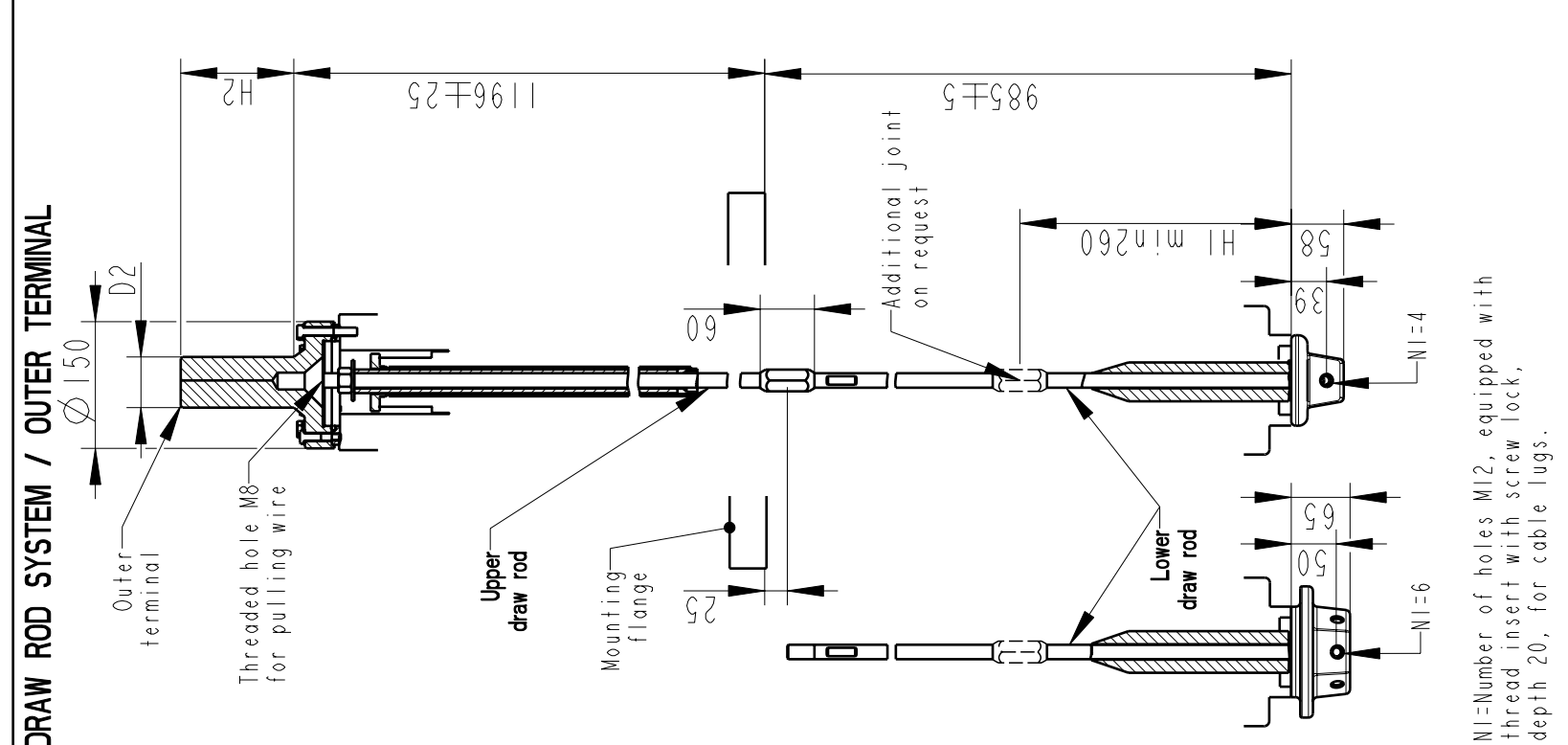
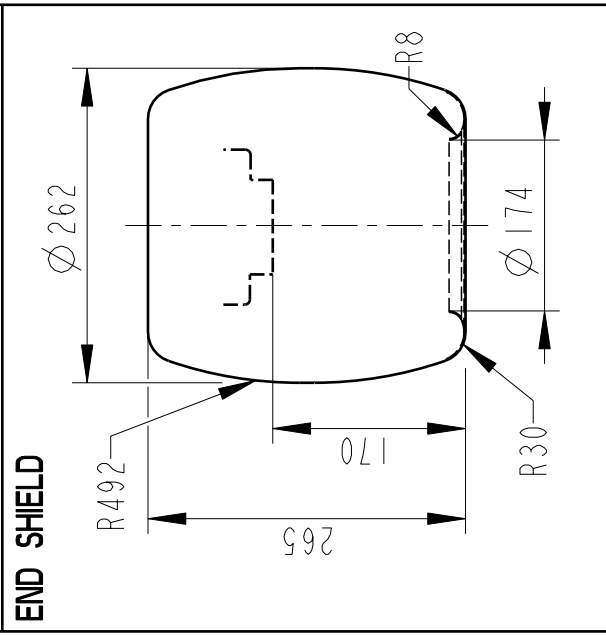
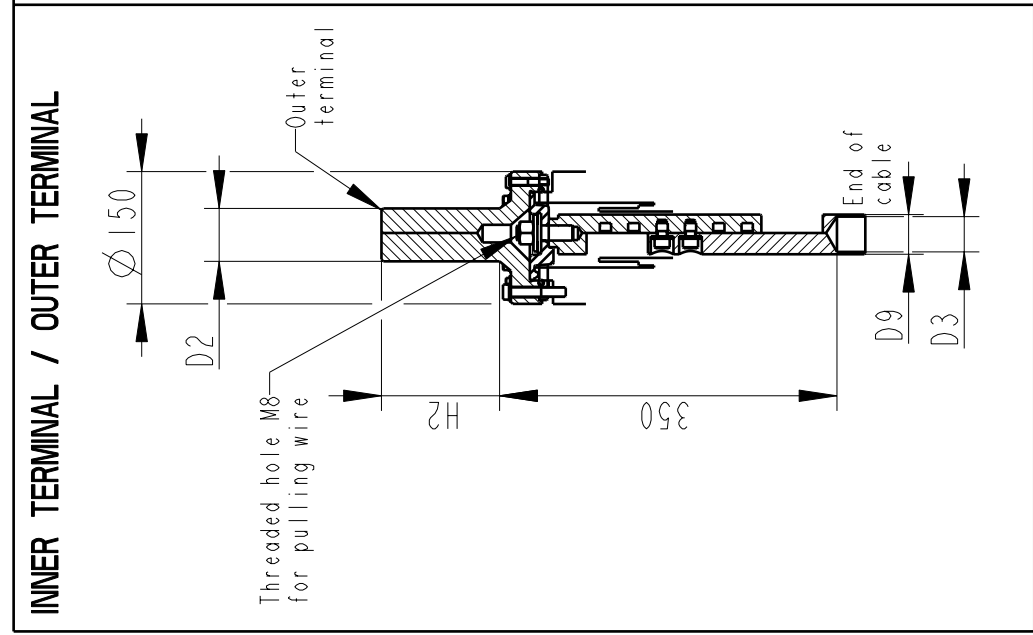
INNER TERMINAL

D3 (mm)	D9 (mm)	Cond. area (mm ²)	Current (A)	IEEC
LFI170 056-E O*)	45	-	-	-
LFI170 056-D	40	45	600	1600
				1360

*) WITH PILOT HOLE D=5

ABB Components Lutha, Sweden

No.	kV	tr	A	50-60	Hz
U	kV	SI	kV	AC	kV
M	kg	L	mm	D	
C1	pF	Tanδ			
C2	pF	Tanδ			



NI=Number of holes M12, equipped with thread insert with screw lock, depth 20, for cable lugs.

Based on	Reg. No.	Title
Prepared	Responsible department	GOE-325-250-3150-0.6
Lövnord	COM/BK 0022	
Approved	Take over department	
Johansson	Database	
Design engineering review		
Gutman		
ABB ABB Components		Document No. 2751369-76

We reserve all rights in this document and in the information contained therein. Reproduction, use or disclosure to third parties without express authority is strictly forbidden.