

### Bushing Data:

Rated Voltage	123	kV
Phase to-earth Voltage	84	kV
Dry Lightning Impulse 1,2/50µs	450	kV
Wet Switching Impulse	300	kV
Wet Power frequency AC	170	kV
Routine test Imin dry 50Hz	185	kV
Rated Current	5000	A
Creepage Distance	2380	mm
Mass	270	kg

### Ordering Data:

**BUSHING** COLOUR AIR INSULATOR  
 LF121052 -D / -AD BROWN / LIGHT GREY

**OUTER TERMINAL**

	H2	D2
	(mm)	(mm)
LF170 073-A Al	125	60
LF170 073-B Cu	125	60
LF170 073-G Cu/Ag	125	60
OTHER TYPES ON REQUEST		

**END-SHIELD**  
 LF170 046-U EPOXY INSULATED  
 LF170 046-UP INSULATED WITH 3 mm PRESSBOARD

**DRAW ROD SYSTEM**  
 LF170 059 LOWER DRAW ROD WITH NI=4 OR NI=6  
 LF170 057 UPPER DRAW ROD

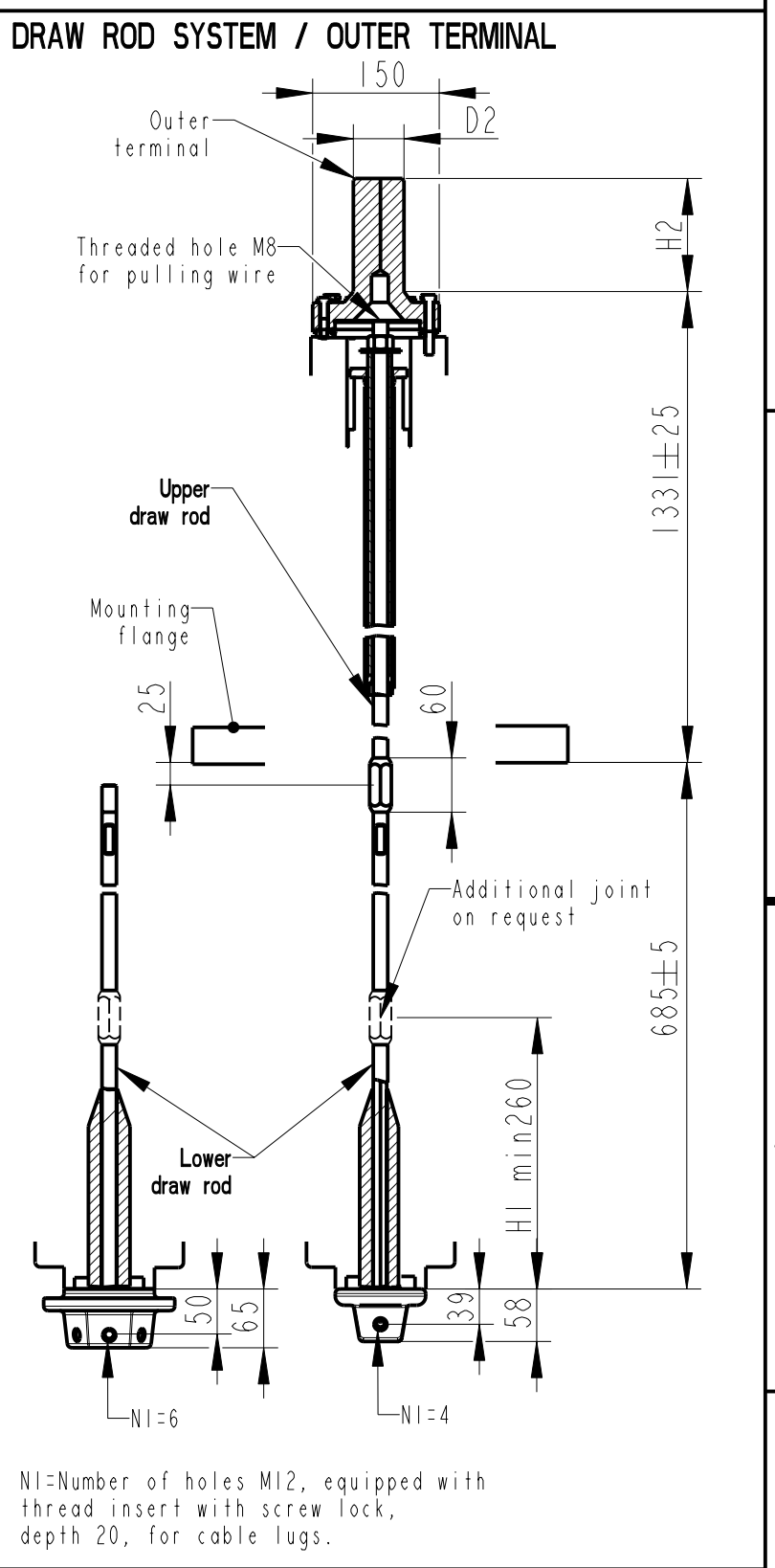
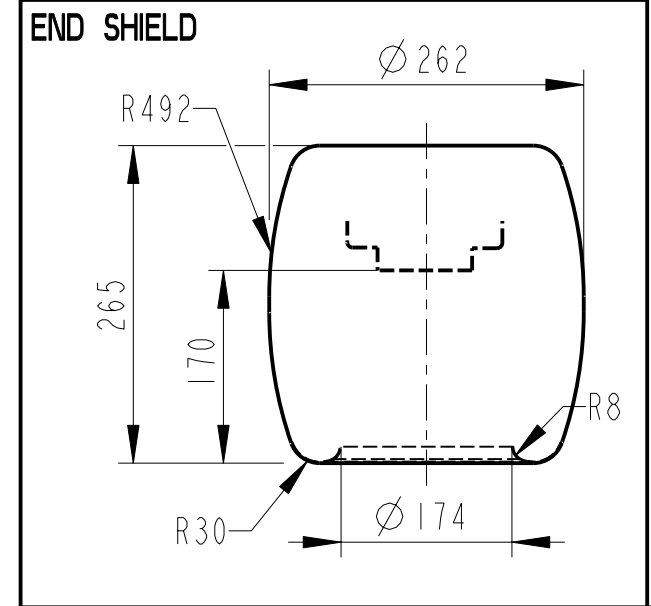
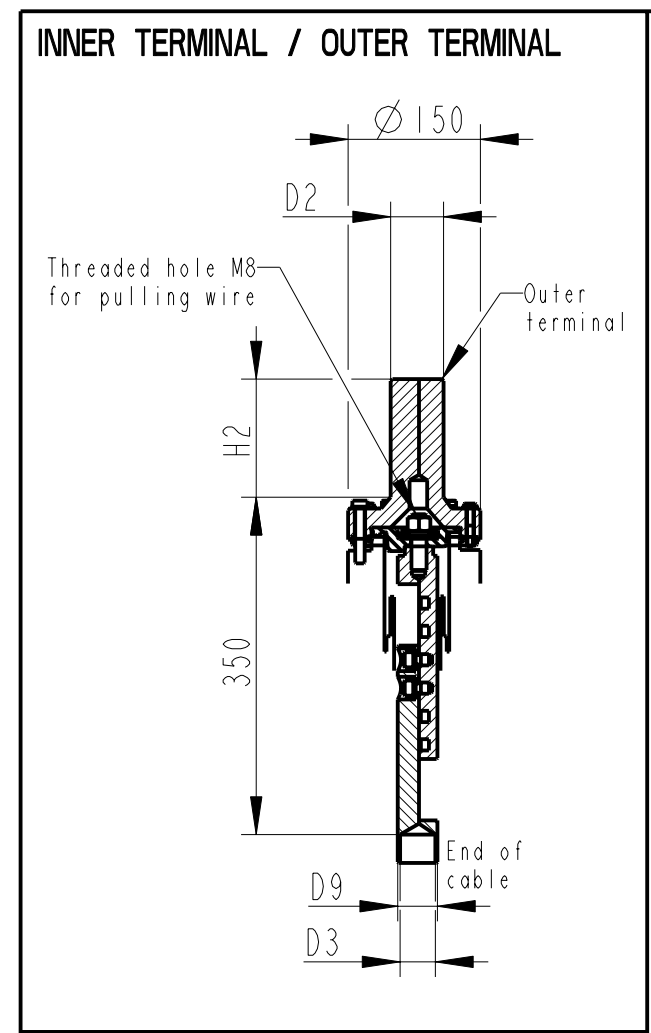
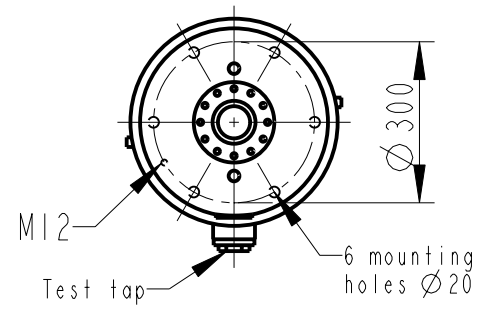
**INNER TERMINAL**

	D3	D9	Cond.area	Current (A)	
	(mm)	(mm)	(mm <sup>2</sup> )	IEC	IEEE
LF170 056-A 0 *)	35	-	-	-	-
LF170 056-B	15	35	95	390	370
LF170 056-C	30	35	285	1000	830

\*) WITH PILOT HOLE D=5

ABB Components Luleå, Sweden

Ur-ty	Nb				
U	kV	SI	A	50-60 Hz	
M	kg	L	mm	D	
C1	pF	Tanδ			
C2	pF	Tanδ			



Based on	Reg. No.	Title	
Prepared Lövnord	Responsible department COM/BK 0022	<b>GOE-380-300-5000-0.3</b>	
Approved Johansson	Take over department		Language <b>82</b>
Design engineering review Gutman	Database		Page <b>1(1)</b>
<b>ABB</b> ABB Components		Document No.	<b>2751369-7</b>

We reserve all rights in this document and in the information contained therein. Reproduction, use or disclosure to third parties without express authority is strictly forbidden. ©ABB