

Bushing Data:

Rated Voltage	170	kV
Phase to-earth Voltage	123	kV
Dry Lightning Impulse	550	kV
Wet Switching Impulse	400	kV
Wet Power frequency AC	240	kV
Routine test 1min dry 50Hz	260	kV
Rated Current	5000	A
Creepage Distance	3355	mm
Mass	365	kg

Ordering Data:

BUSHING COLOUR AIR INSULATOR
 LF121058 -C / -AC BROWN / LIGHT GREY

OUTER TERMINAL

LF170 073-A Al	H2 (mm)	D2 (mm)
LF170 073-B Cu	125	60
LF170 073-G Cu/Ag	125	60
OTHER TYPES ON REQUEST	125	60

END-SHIELD

LF170 046-U EPOXY INSULATED
 LF170 046-UP INSULATED WITH 3 mm PRESSBOARD

DRAW ROD SYSTEM

LF170 059 LOWER DRAW ROD WITH NI=4 OR NI=6
 LF170 057 UPPER DRAW ROD

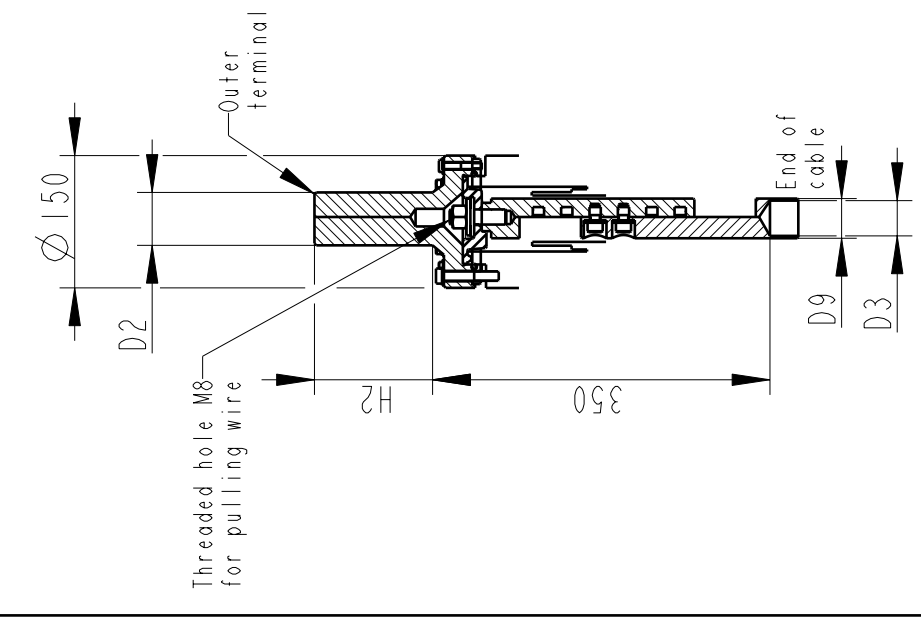
INNER TERMINAL

D3 (mm)	D9 (mm)	Cond. area (mm ²)	Current (A) IEC	IEEE
LF170 056-A O*)	35	-	-	-
LF170 056-B	15	35	95	370
LF170 056-C	30	35	285	1000
*) WITH PILOT HOLE D=5				

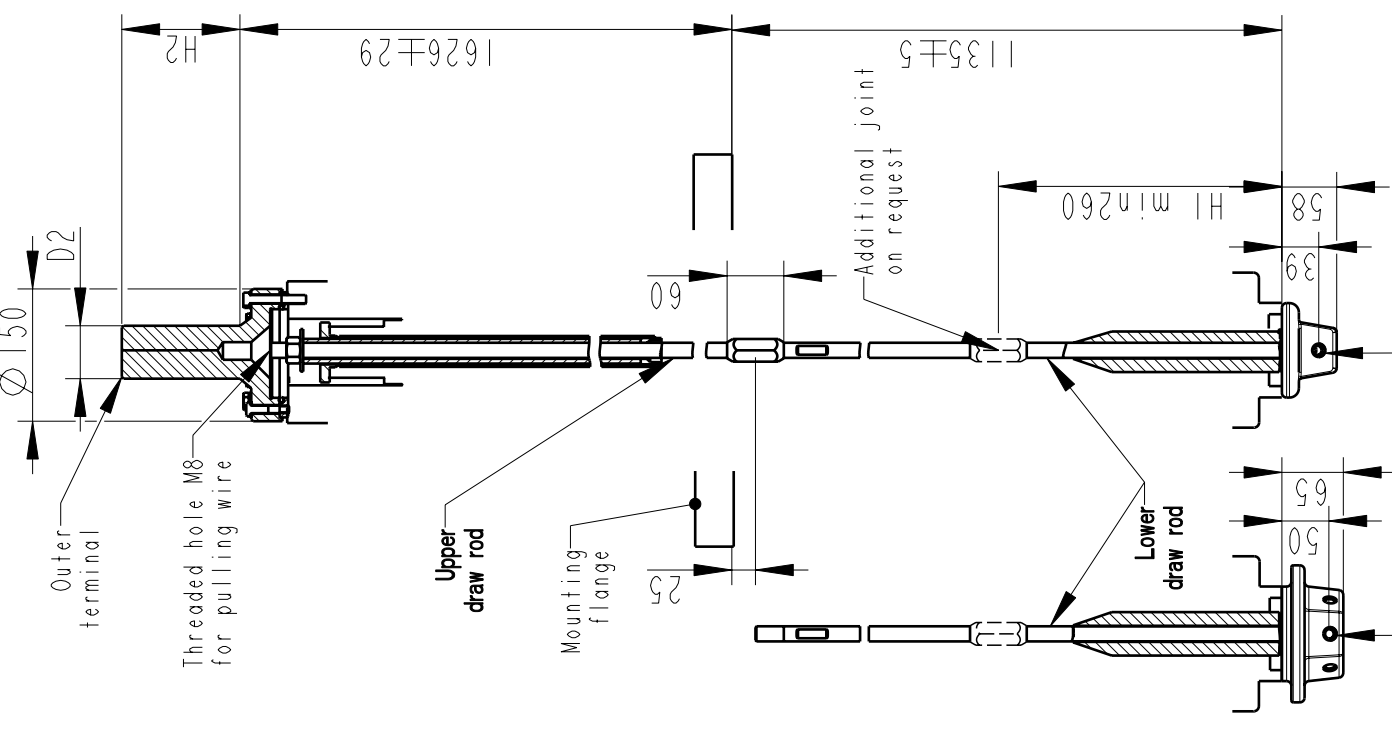
ABB Components Lutha, Sweden

No.	kV	A	50/60 Hz
U	SI	IV	AC
M	kg	L	mm
C1	pF	Tanδ	;
C2	pF	Tanδ	;

INNER TERMINAL / OUTER TERMINAL



DRAW ROD SYSTEM / OUTER TERMINAL



NI=Number of holes M12, equipped with thread insert with screw lock, depth 20, for cable lugs.

Based on	Reg. No.	Title
Prepared	Responsible department	GOE-550-400-5000-0.6
Lövnord	COM/BK 0022	
Approved	Take over department	
Johansson	Database	
Design engineering review		
Gutman		
ABB ABB Components		Document No. 2751369-67