

Bushing Data:

Rated Voltage	170	kV
Phase to-earth Voltage	123	kV
Dry Lightning Impulse I, 2/50µs	550	kV
Wet Switching Impulse	400	kV
Wet Power frequency AC	240	kV
Routine test Imin dry 50Hz	260	kV
Rated Current	5000	A
Creepage Distance	3355	mm
Mass	340	kg

Ordering Data:

BUSHING
 LFI21058 -D / -AD COLOUR AIR INSULATOR
 BROWN / LIGHT GREY

OUTER TERMINAL

LFI170 073-A Al	H2 (mm)	D2 (mm)
LFI170 073-B Cu	125	60
LFI170 073-G Cu/Ag	125	60
OTHER TYPES ON REQUEST	125	60

END-SHIELD

LFI170 046-U EPOXY INSULATED
 LFI170 046-UP INSULATED WITH 3 mm PRESSBOARD

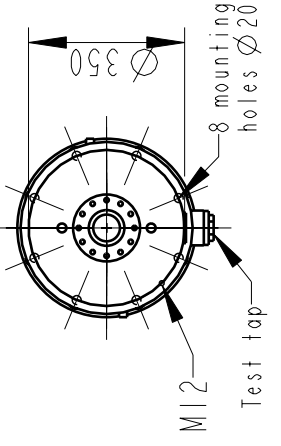
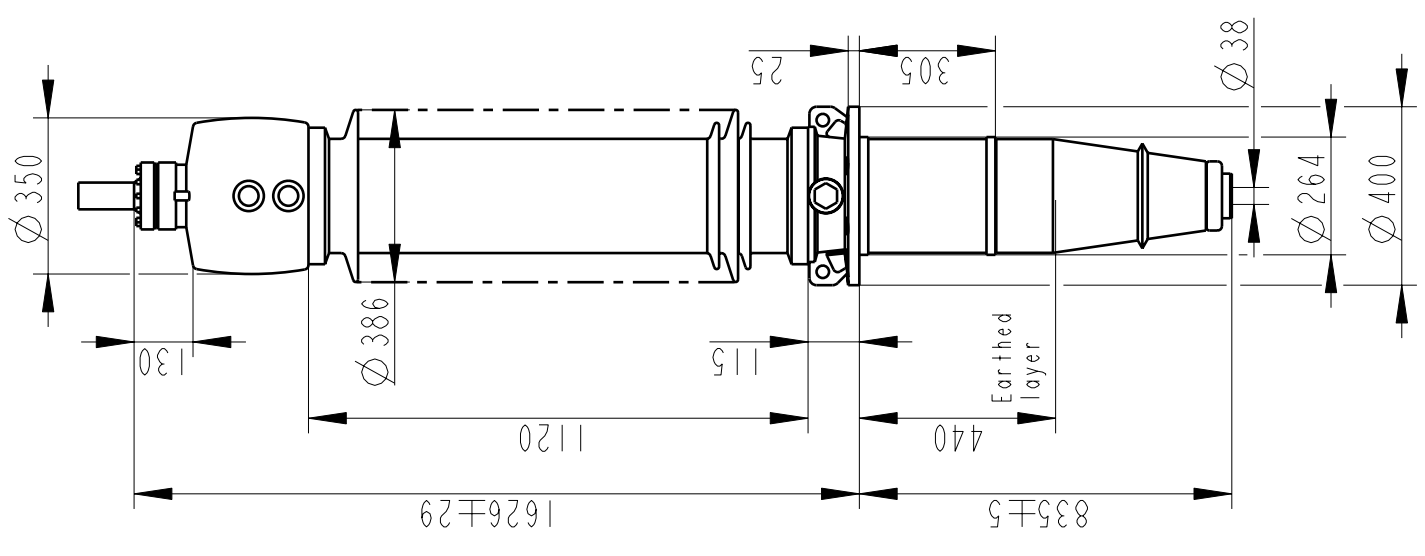
DRAW ROD SYSTEM

LFI170 059 LOWER DRAW ROD WITH NI=4 OR NI=6
 LFI170 057 UPPER DRAW ROD

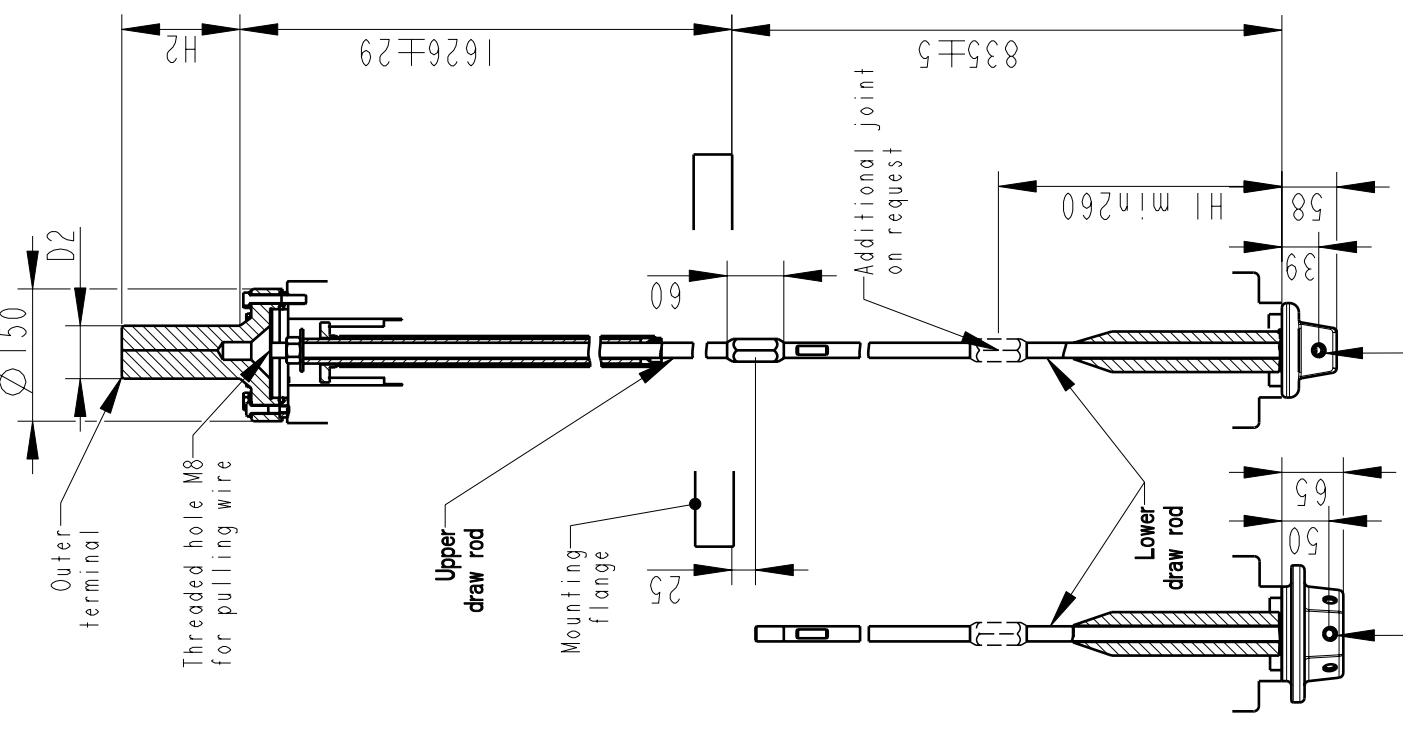
INNER TERMINAL

D3 (mm)	D9 (mm)	Cond. area (mm ²)	Current (A) IEC	IEEE
LFI170 056-A O*)	35	-	-	-
LFI170 056-B I5	35	95	390	370
LFI170 056-C 30	35	285	1000	830

*) WITH PILOT HOLE D=5

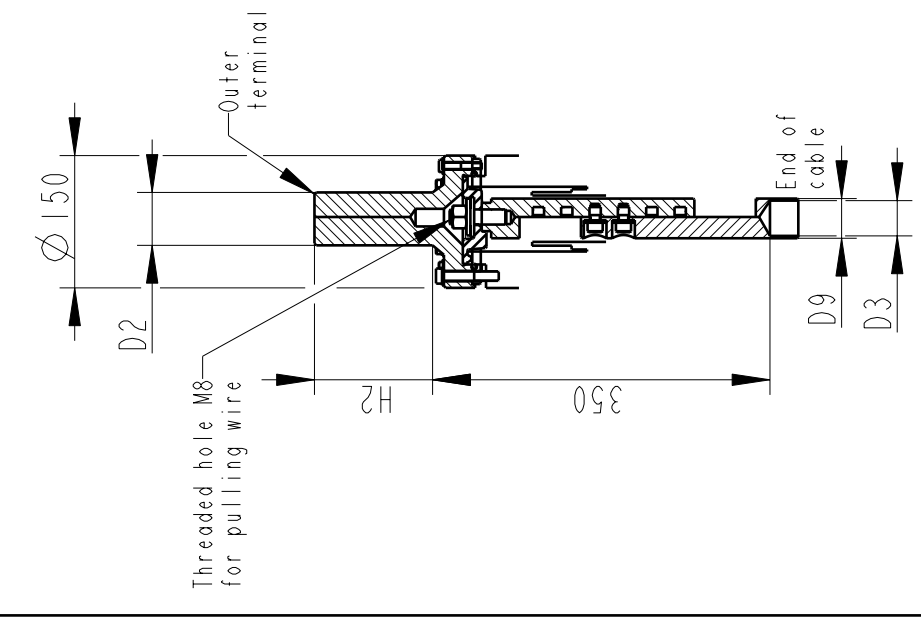


DRAW ROD SYSTEM / OUTER TERMINAL

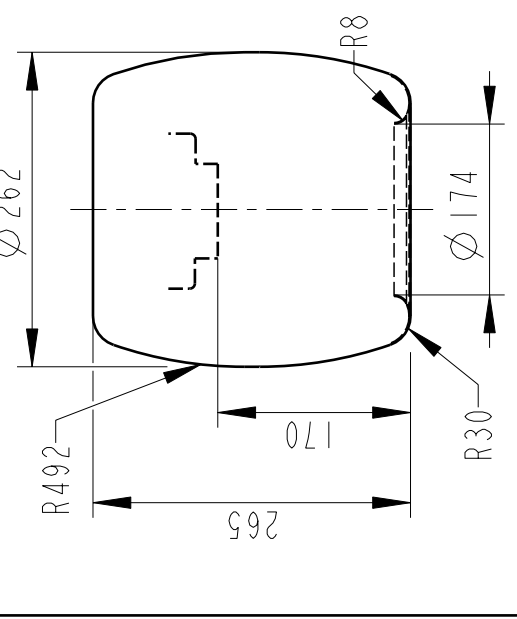


NI=Number of holes M12, equipped with thread insert with screw lock, depth 20, for cable lugs.

INNER TERMINAL / OUTER TERMINAL



END SHIELD



Based on	Reg. No.	Title
Prepared Lövnord	Responsible department COM/BK 0022	GOE-550-400-5000-0.3
Approved Johansson	Take over department	
Design engineering review Gutman	Database	
ABB ABB Components		Document No. 2751369-66

We reserve all rights in this document and in the information contained therein. Reproduction, use or disclosure to third parties without express authority is strictly forbidden.
 ©ABB