

Bushing Data:

Rated Voltage	170	kV
Phase to-earth Voltage	123	kV
Dry Lightning Impulse I, 2/50µs	550	kV
Wet Switching Impulse	400	kV
Wet Power frequency AC	240	kV
Routine test Imin dry 50Hz	260	kV
Rated Current	3150	A
Creepage Distance	3355	mm
Mass	275	kg

Ordering Data:

BUSHING
 LFI21058 -E / -AE COLOUR AIR INSULATOR
 BROWN / LIGHT GREY

OUTER TERMINAL

LFI170 073-A Al	H2 (mm)	D2 (mm)
LFI170 073-B Cu	125	60
LFI170 073-G Cu/Ag	125	60
OTHER TYPES ON REQUEST	125	60

END-SHIELD

LFI170 046-U EPOXY INSULATED
 LFI170 046-UP INSULATED WITH 3 mm PRESSBOARD

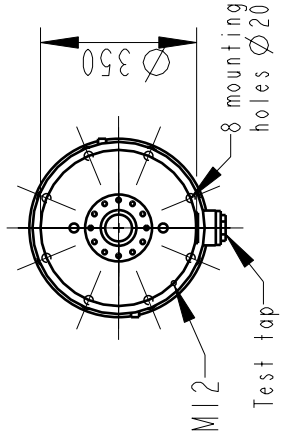
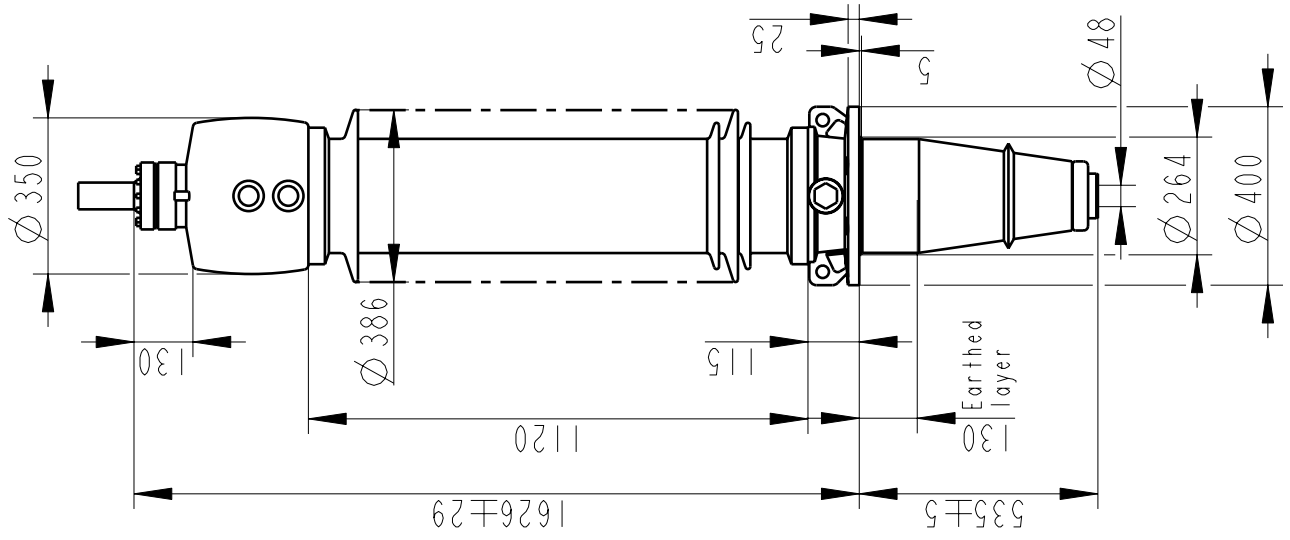
DRAW ROD SYSTEM

LFI170 059 LOWER DRAW ROD WITH NI=4 OR NI=6
 LFI170 057 UPPER DRAW ROD

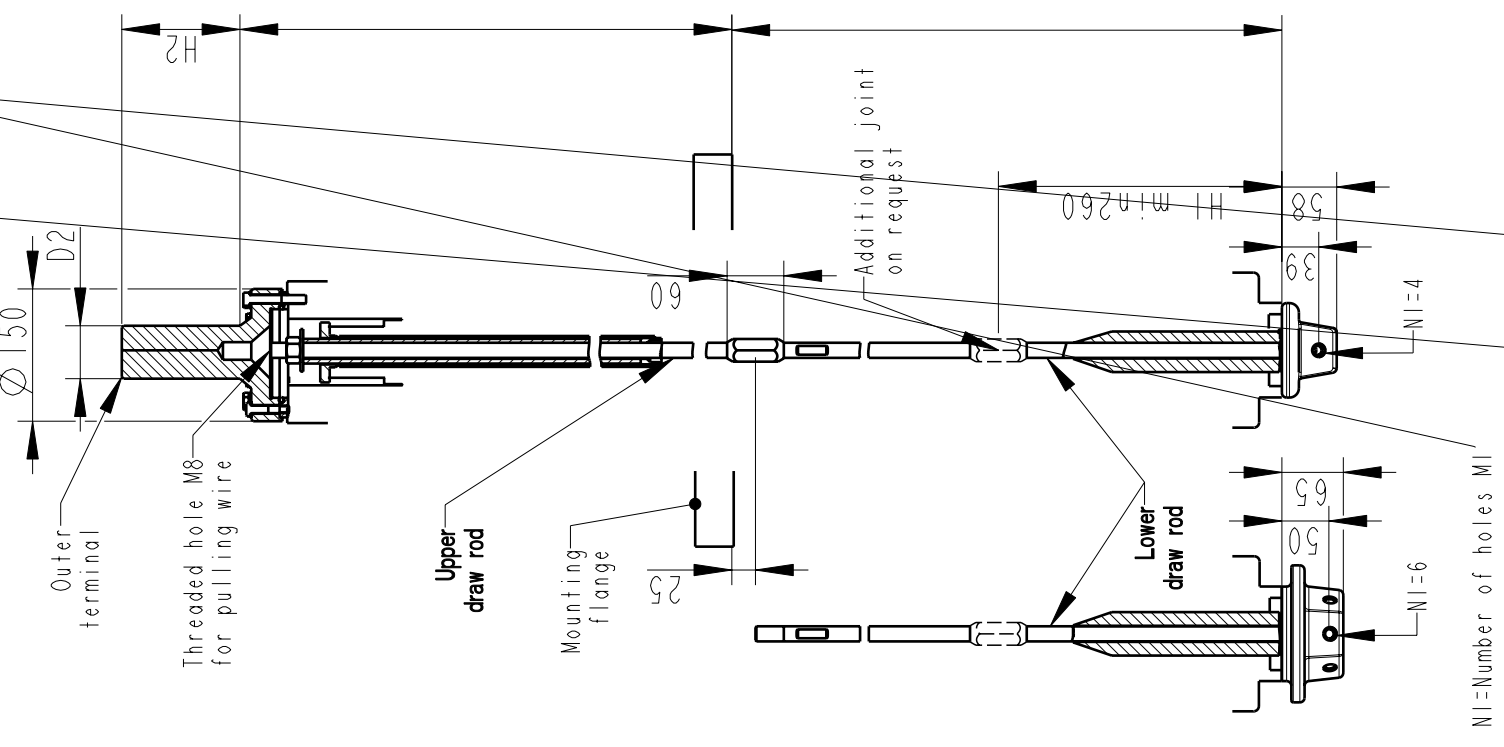
INNER TERMINAL

D3 (mm)	D9 (mm)	Cond. area (mm ²)	Current (A)	IEEC
LFI170 056-E O*)	45	-	-	-
LFI170 056-D	40	45	600	1600
				1360

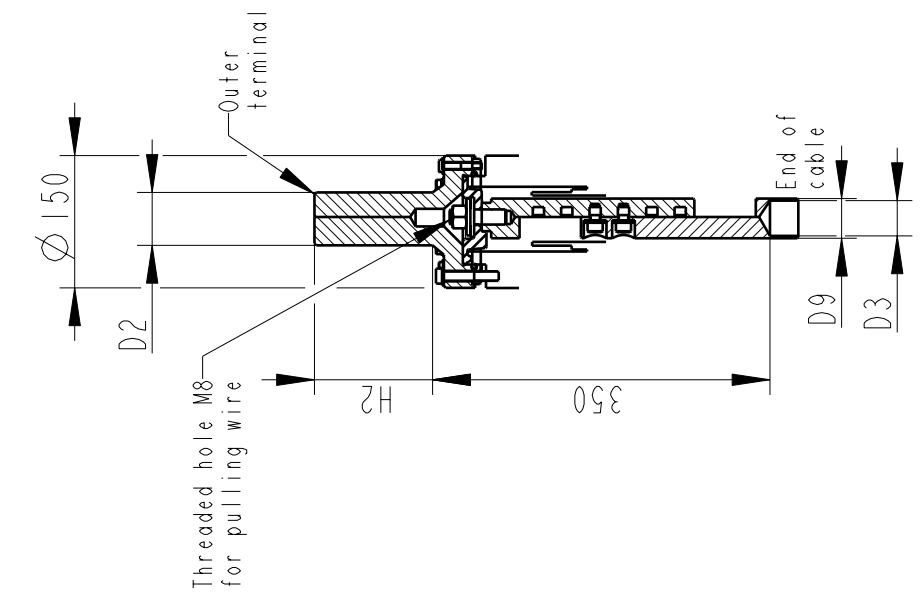
*) WITH PILOT HOLE D=5



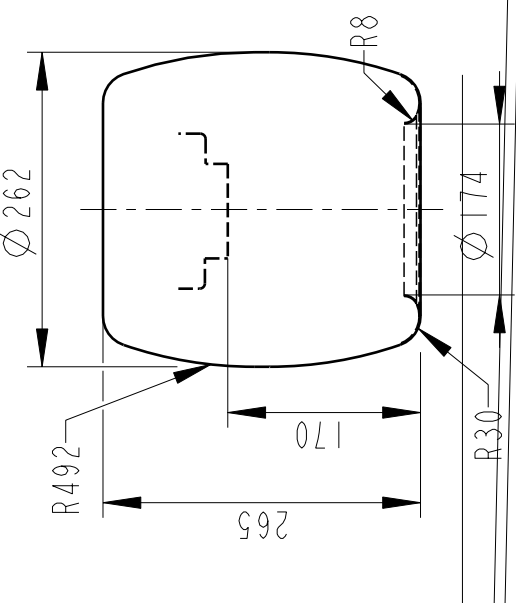
DRAW ROD SYSTEM / OUTER TERMINAL



MINIAL



END SHIELD



We reserve all rights in this document and in the information contained therein. Reproduction, use or disclosure to third parties without express authority is strictly forbidden.
 ©ABB

Based on		Reg. No.	Title
Prepared	Lövnord	Responsible department	COM/BK 0022
Approved	Johansson	Take over department	
Design engineering review		Database	
Gutman			
ABB ABB Components		Document No.	2751369-62
GOE-550-400-3150-0		Language	82
		Page	I(1)