

Bushing Data:

Rated Voltage	800	kV
Phase to-earth Voltage	485	kV
Dry Lightning Impulse 1,2/50µs	2100	kV
Wet Switching Impulse	1425	kV
Wet Power frequency AC	900	kV
Routine test 1min dry 50Hz	970	kV
Rated Current	2500	A
Creepage Distance	16630	mm
Mass	2495	kg

Ordering Data:

BUSHING
 LF121081 -D / -AD COLOUR AIR INSULATOR
 BROWN / LIGHT GREY

OUTER TERMINAL

LF170 073-A Al	H2 (mm)	D2 (mm)
LF170 073-B Cu	125	60
LF170 073-G Cu/Ag	125	60
OTHER TYPES ON REQUEST	125	60

END-SHIELD

LF170 046-X EPOXY INSULATED
 LF170 046-XP INSULATED WITH 5 mm PRESSBOARD

DRAW ROD SYSTEM

LF170 059 LOWER DRAW ROD WITH NI=4 OR NI=6
 LF170 057 UPPER DRAW ROD

INNER TERMINAL

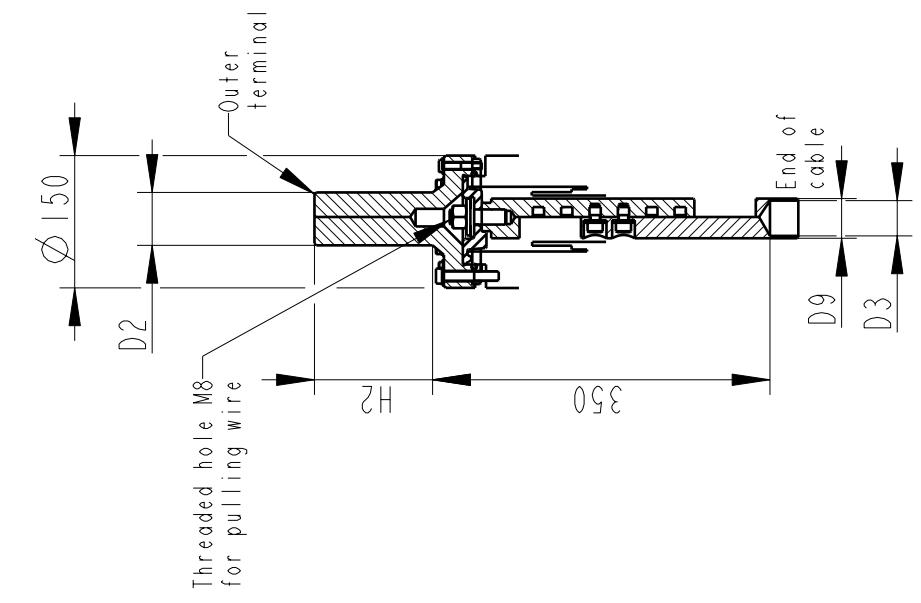
D3 (mm)	D9 (mm)	Cond.area (mm ²)	Current (A)	IEEC
LF170 056-E O*) 45	45	-	-	-
LF170 056-D 40	45	600	1600	1360

*) WITH PILOT HOLE D=5

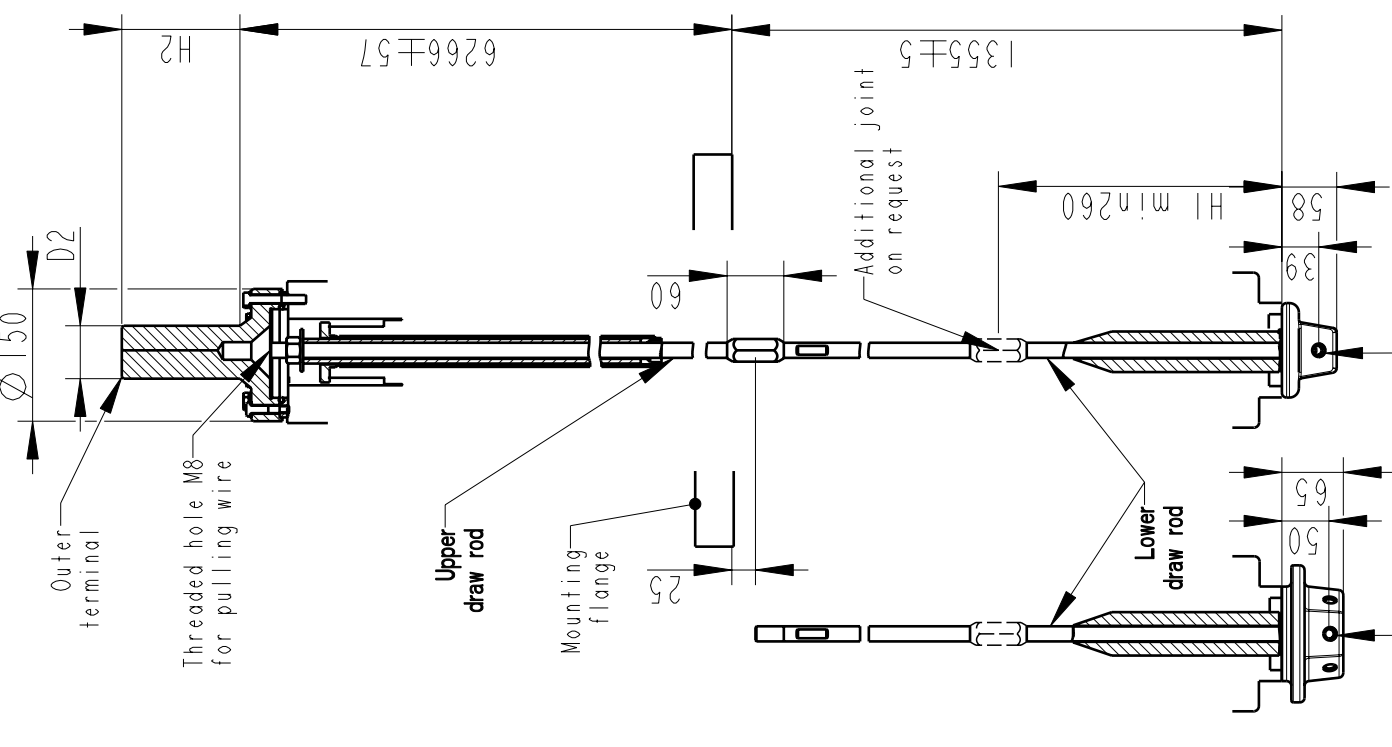
ABB Components Lutha, Sweden

No.	kV	A	50-60 Hz
U	kV	SI	kV AC
M	kg	L	mm D
C1	pF	Tanδ	;
C2	pF	Tanδ	;

INNER TERMINAL / OUTER TERMINAL

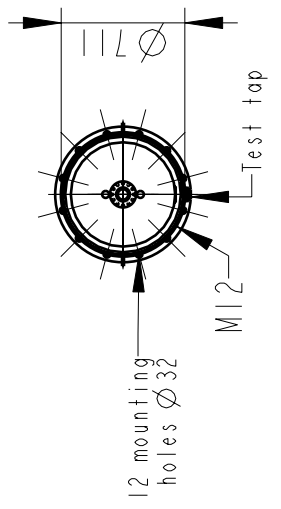
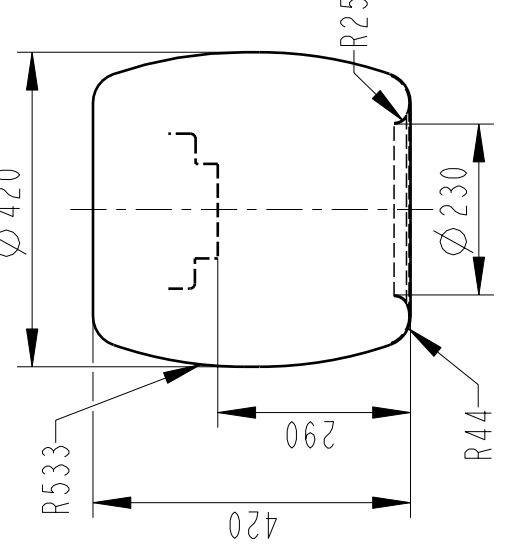


DRAW ROD SYSTEM / OUTER TERMINAL



NI=Number of holes M12, equipped with thread insert with screw lock, depth 20, for cable lugs.

END SHIELD



Based on	Reg. No.	Title
Prepared	Responsible department	GOE-2100-1425-2500-0
Lövnord	COM/BK 0022	
Approved	Take over department	
Johansson	Database	
Design engineering review		
Gutman		
ABB ABB Components		Document No. 2751369-61

We reserve all rights in this document and in the information contained therein. Reproduction, use or disclosure to third parties without express authority is strictly forbidden.