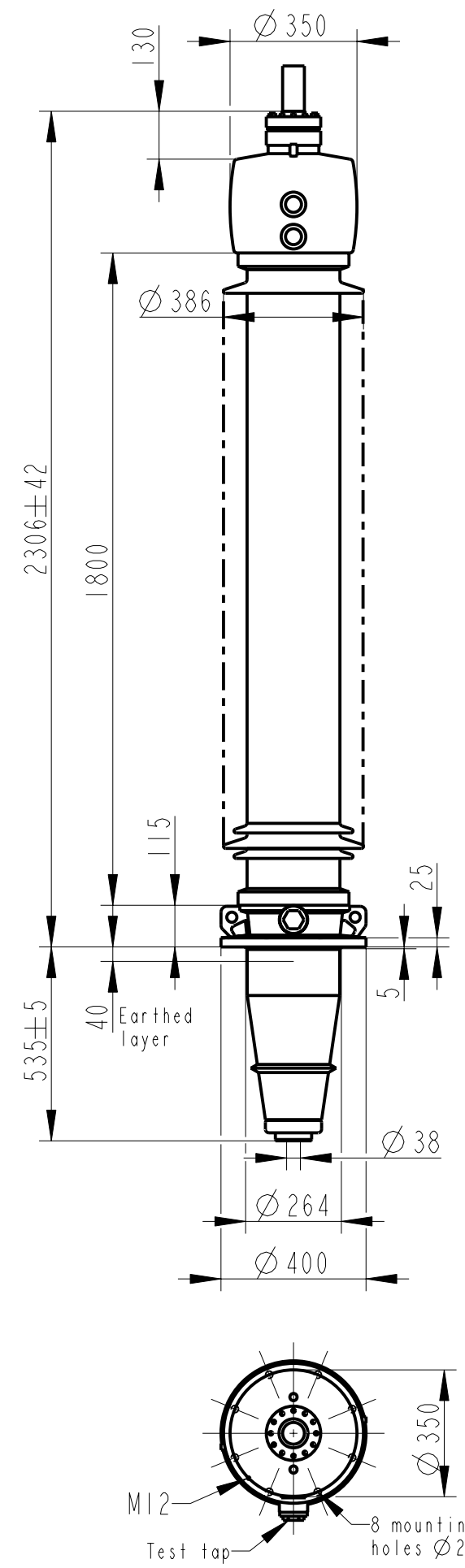


Rev	Ind	Revision	Appd	Date



Bushing Data:

Rated Voltage	245	kV
Phase to-earth Voltage	170	kV
Dry Lightning Impulse 1,2/50µs	950	kV
Wet Switching Impulse	650	kV
Wet Power frequency AC	395	kV
Routine test Imin dry 50Hz	395	kV
Rated Current	5000	A
Creepage Distance	5735	mm
Mass	430	kg

Ordering Data:

BUSHING	COLOUR AIR INSULATOR
LF121055 -F / -AF	BROWN / LIGHT GREY
OUTER TERMINAL	
	H2 D2
	(mm) (mm)
LF170 073-A Al	125 60
LF170 073-B Cu	125 60
LF170 073-G Cu/Ag	125 60
OTHER TYPES ON REQUEST	

END-SHIELD

LF170 046-U EPOXY INSULATED
LF170 046-UP INSULATED WITH 3 mm PRESSBOARD

DRAW ROD SYSTEM

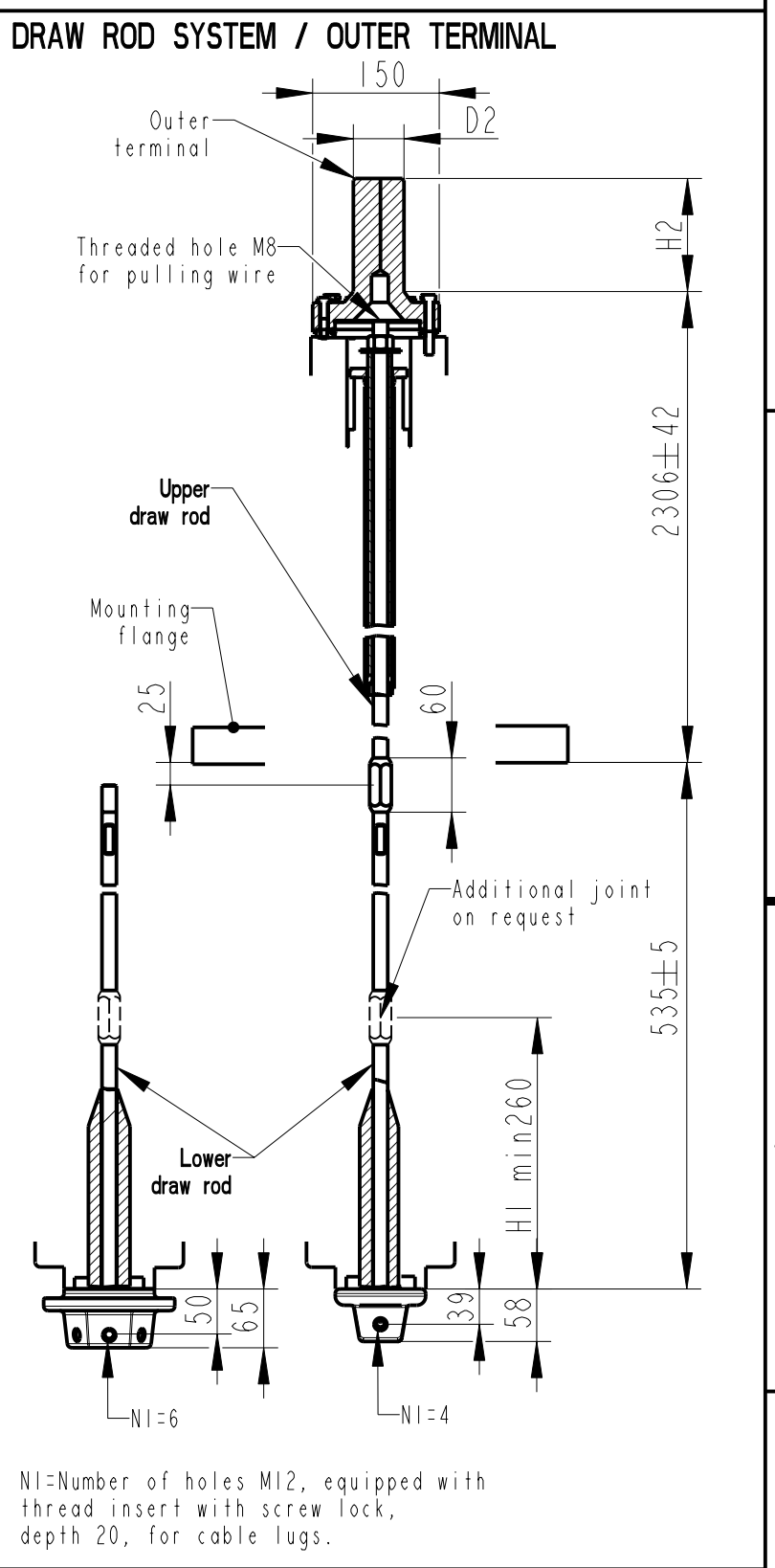
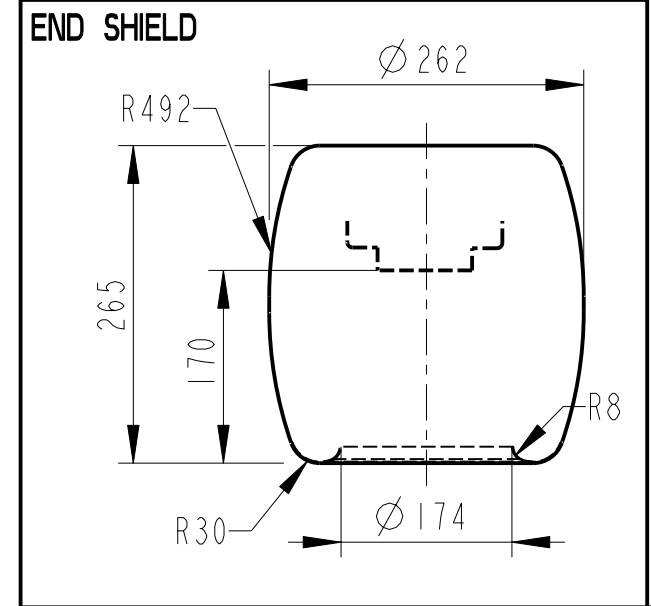
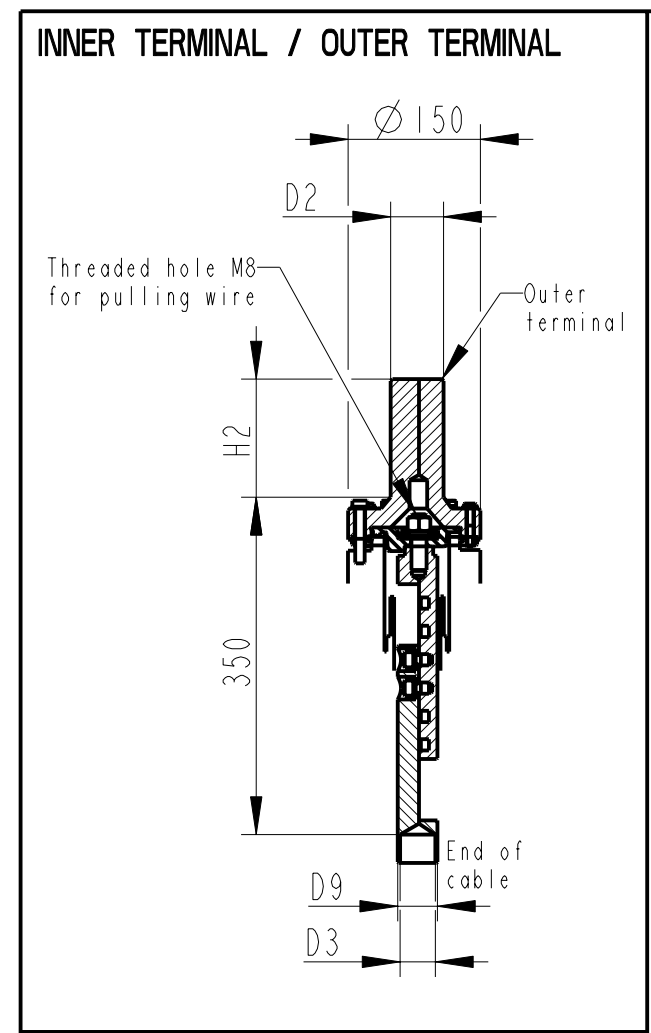
LF170 059 LOWER DRAW ROD WITH NI=4 OR NI=6
LF170 057 UPPER DRAW ROD

INNER TERMINAL

D3 (mm)	D9 (mm)	Cond.area (mm ²)	Current (A) IEC	IEEE
LF170 056-A 0 *)	35	-	-	-
LF170 056-B	15	95	390	370
LF170 056-C	30	285	1000	830

*) WITH PILOT HOLE D=5

ABB Components		Ludvika, Sweden	
Ur-ty	Nb	kV	A 50-60 Hz
U	kV SI	kV AC	kV
M	kg L	mm D	
C1	pF Tanδ		
C2	pF Tanδ		



NI=Number of holes M12, equipped with thread insert with screw lock, depth 20, for cable lugs.

Based on	Reg. No.	Title	Language
Prepared Lövnord	Responsible department COM/BK 0022	GOE-900-650-5000-0	
Approved Johansson	Take over department		Page
Design engineering review Gutman	Database		1(1)
ABB ABB Components		Document No.	2751369-60

We reserve all rights in this document and in the information contained therein. Reproduction, use or disclosure to third parties without express authority is strictly forbidden. ©ABB