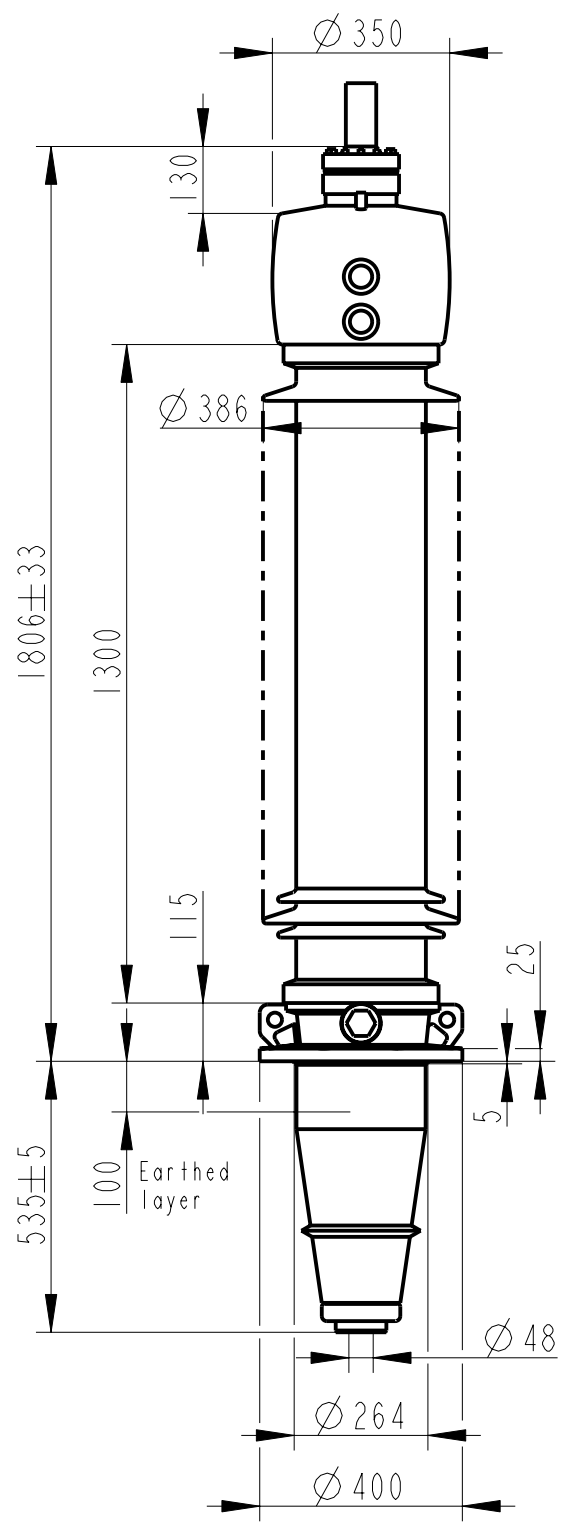


Rev	Ind	Revision	Appd	Date



### Bushing Data:

Rated Voltage	245	kV
Phase to-earth Voltage	155	kV
Dry Lightning Impulse 1,2/50µs	650	kV
Wet Switching Impulse	500	kV
Wet Power frequency AC	315	kV
Routine test Imin dry 50Hz	325	kV
Rated Current	3150	A
Creepage Distance	4045	mm
Mass	300	kg

### Ordering Data:

**BUSHING** COLOUR AIR INSULATOR  
 LF121054 -E / -AE BROWN / LIGHT GREY

OUTER TERMINAL	H2 (mm)	D2 (mm)
LF170 073-A Al	125	60
LF170 073-B Cu	125	60
LF170 073-G Cu/Ag	125	60
OTHER TYPES ON REQUEST		

**END-SHIELD**  
 LF170 046-U EPOXY INSULATED  
 LF170 046-UP INSULATED WITH 3 mm PRESSBOARD

**DRAW ROD SYSTEM**

LF170 059	LOWER DRAW ROD WITH NI=4 OR NI=6
LF170 057	UPPER DRAW ROD

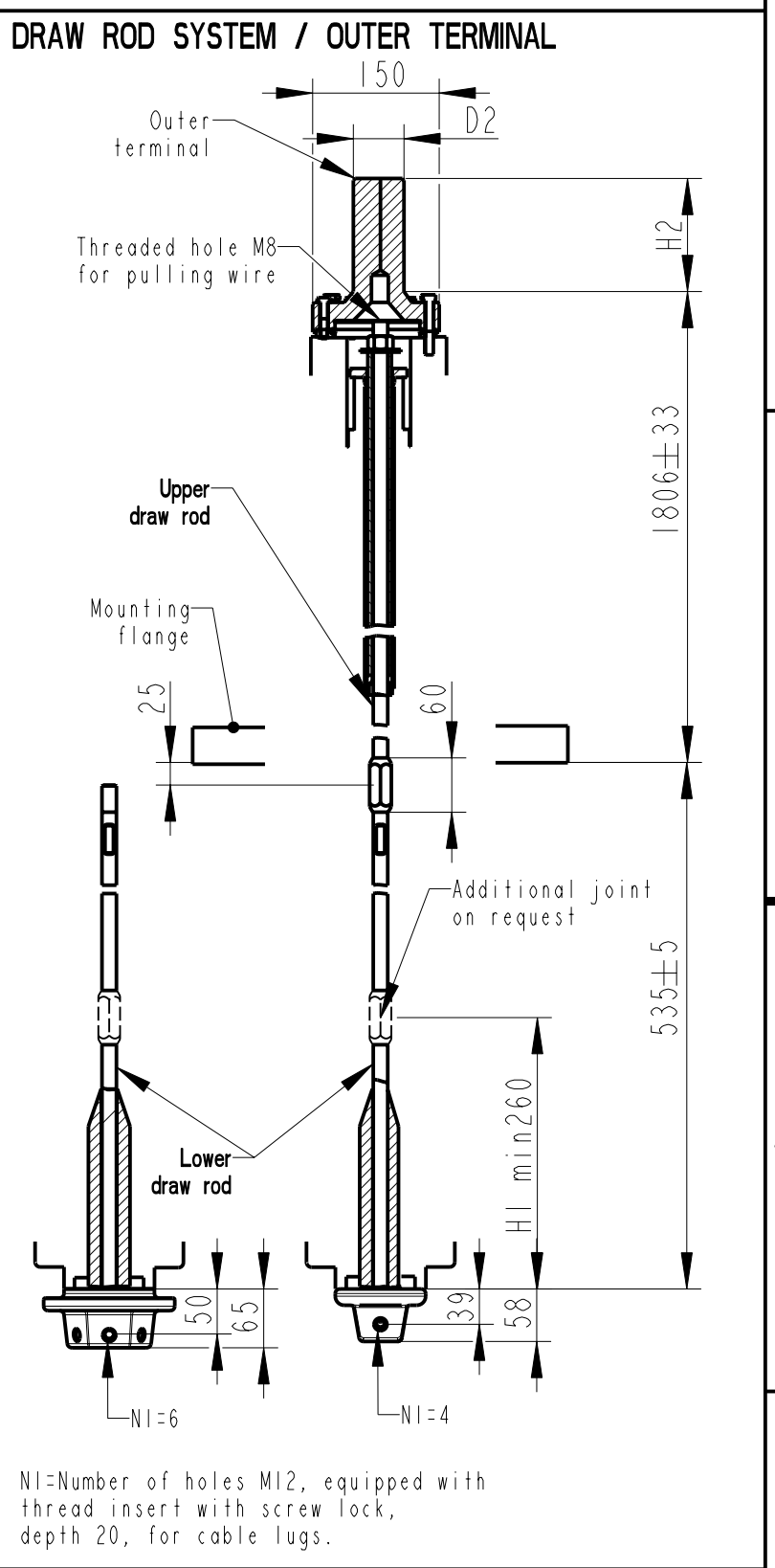
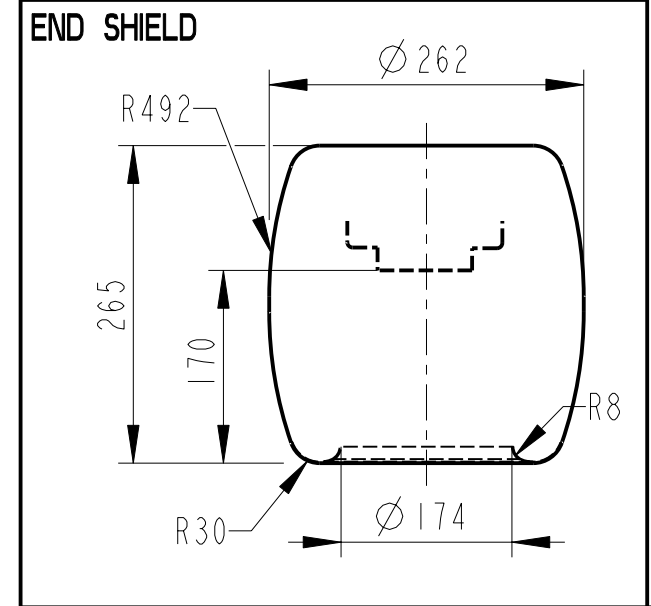
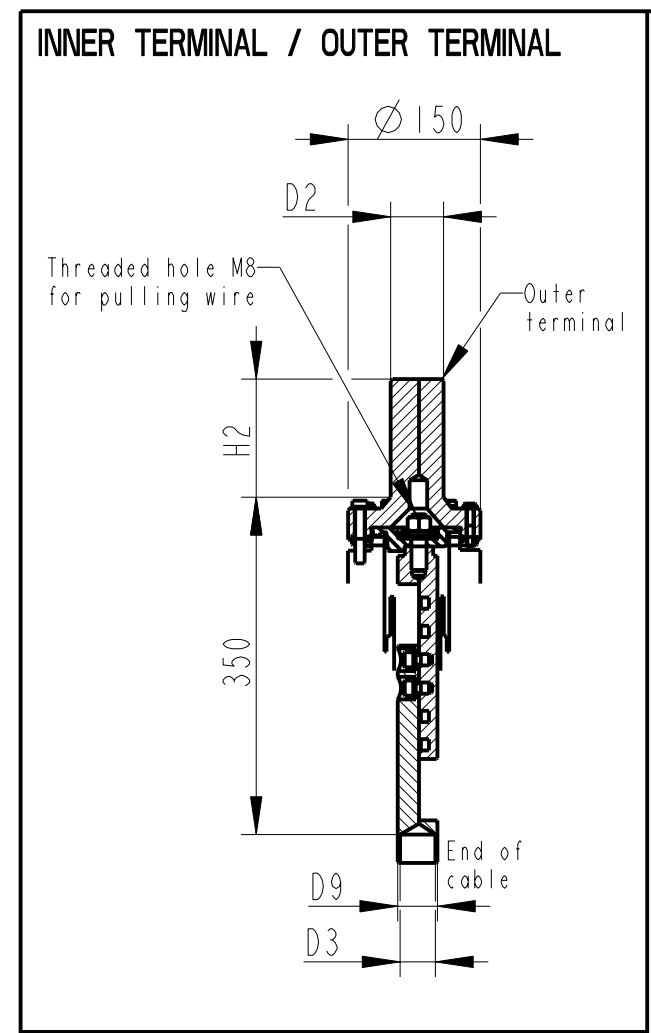
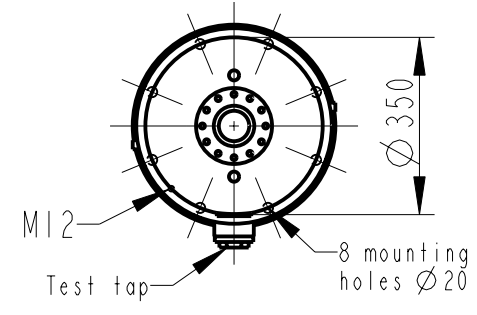
**INNER TERMINAL**

	D3 (mm)	D9 (mm)	Cond.area (mm <sup>2</sup> )	Current (A) IEC	IEEE
LF170 056-E O *)	45	-	-	-	-
LF170 056-D	40	45	600	1600	1360

\*) WITH PILOT HOLE D=5

**ABB Components** Luleå, Sweden

U <sub>1</sub> U <sub>2</sub>	N <sub>1</sub>	A	50-60 Hz
U	kV SI	kV AC	kV
M	kg L	mm D	
C1	pF Tanδ		
C2	pF Tanδ		



NI=Number of holes M12, equipped with thread insert with screw lock, depth 20, for cable lugs.

Based on	Reg. No.	Title	Language <b>82</b>
Prepared Lövnord	Responsible department COM/BK 0022	<b>GOE-650-500-3150-0</b>	
Approved Johansson	Take over department		Page <b>1(1)</b>
Design engineering review Gutman	Database		Document No. <b>2751369-57</b>

We reserve all rights in this document and in the information contained therein. Reproduction, use or disclosure to third parties without express authority is strictly forbidden. ©ABB