

Bushing Data:

Rated Voltage	170	kV
Phase to-earth Voltage	123	kV
Dry Lightning Impulse 1,2/50µs	550	kV
Wet Switching Impulse	400	kV
Wet Power frequency AC	240	kV
Routine test Imin dry 50Hz	260	kV
Rated Current	3150	A
Creepage Distance	3355	mm
Mass	255	kg

Ordering Data:

BUSHING	COLOUR AIR INSULATOR
LF121053 -E / -AE	BROWN / LIGHT GREY
OUTER TERMINAL	
	H2 D2
	(mm) (mm)
LF170 073-A Al	125 60
LF170 073-B Cu	125 60
LF170 073-G Cu/Ag	125 60
OTHER TYPES ON REQUEST	
END-SHIELD	
LF170 046-U EPOXY INSULATED	
LF170 046-UP INSULATED WITH 3 mm PRESSBOARD	
DRAW ROD SYSTEM	
LF170 059 LOWER DRAW ROD WITH NI=4 OR NI=6	
LF170 057 UPPER DRAW ROD	
INNER TERMINAL	
	D3 D9 Cond.area Current (A)
	(mm) (mm) (mm ²) IEC IEEE
LF170 056-E O *)	45 - - -
LF170 056-D	40 45 600 1600 1360

*) WITH PILOT HOLE D=5

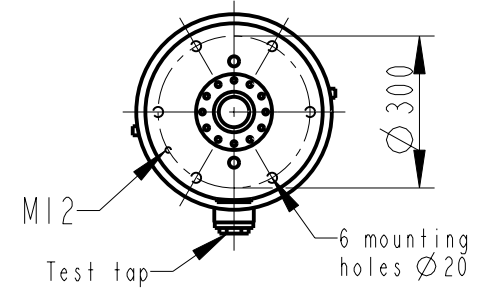
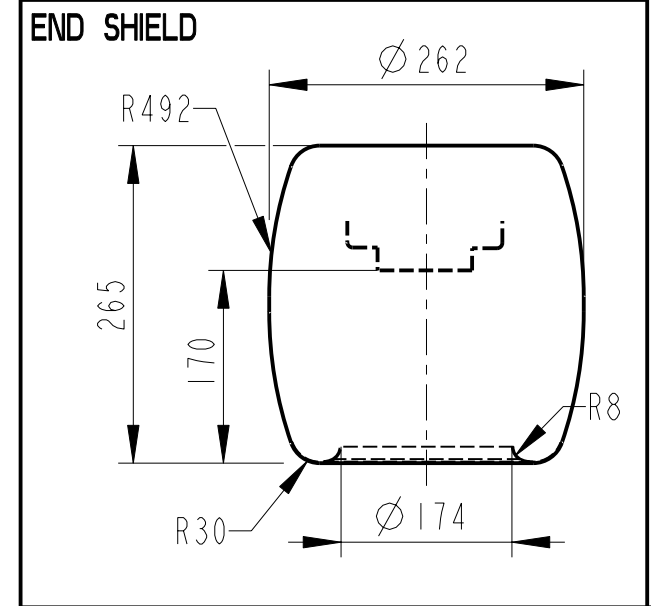
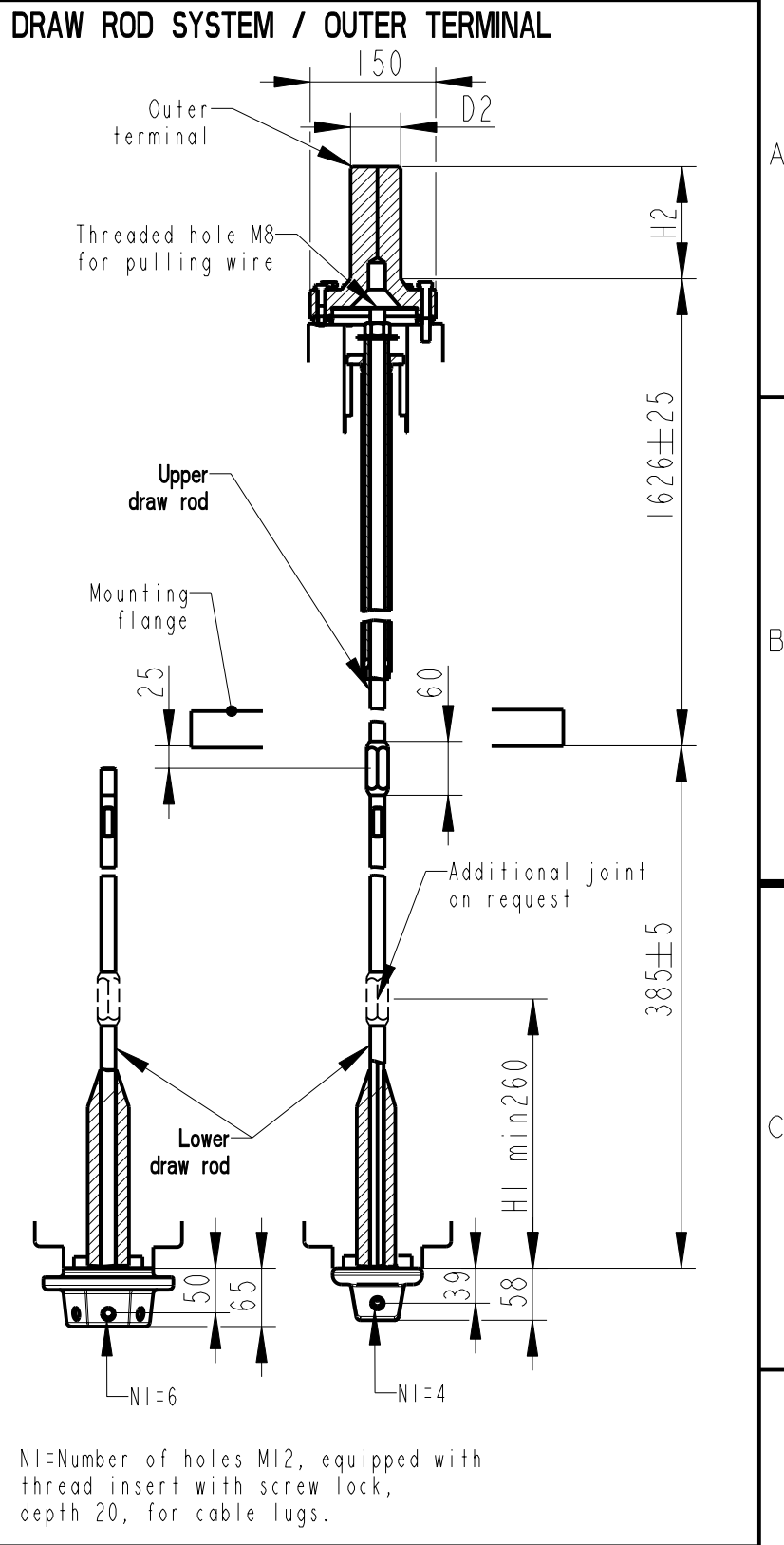
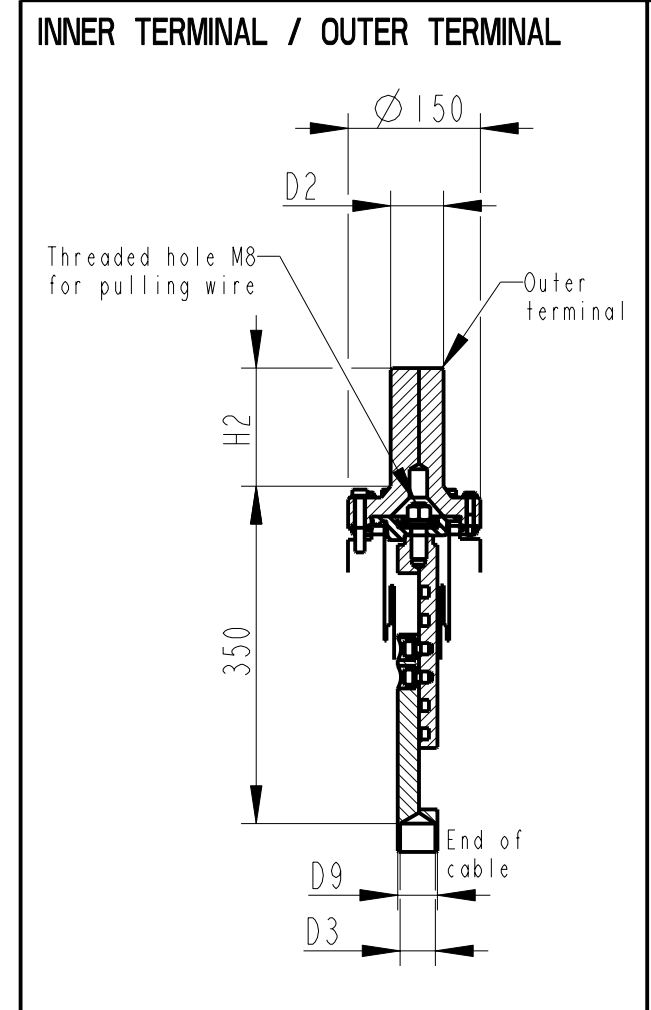


ABB Components Luleå, Sweden

Ur-ty	Nb				
U	kV	SI	kV	AC	kV
M	kg	L	mm	D	
C1	pF	Tanδ			
C2	pF	Tanδ			

Based on	Reg. No.	Title	
Prepared Lövnord	Responsible department COM/BK 0022	GOE-450-400-3150-0	
Approved Johansson	Take over department		
Design engineering review Gutman	Database		
Document No.		2751369-55	

We reserve all rights in this document and in the information contained therein. Reproduction, use or disclosure to third parties without express authority is strictly forbidden. © ABB