

### Bushing Data:

Rated Voltage	123	kV
Phase to-earth Voltage	84	kV
Dry Lightning Impulse 1,2/50µs	450	kV
Wet Switching Impulse	300	kV
Wet Power frequency AC	170	kV
Routine test Imin dry 50Hz	185	kV
Rated Current	3150	A
Creepage Distance	2380	mm
Mass	220	kg

### Ordering Data:

<b>BUSHING</b>	COLOUR AIR INSULATOR
LF121052 -E / -AE	BROWN / LIGHT GREY
<b>OUTER TERMINAL</b>	
	H2 D2
	(mm) (mm)
LF170 073-A Al	125 60
LF170 073-B Cu	125 60
LF170 073-G Cu/Ag	125 60
OTHER TYPES ON REQUEST	
<b>END-SHIELD</b>	
LF170 046-U EPOXY INSULATED	
LF170 046-UP INSULATED WITH 3 mm PRESSBOARD	
<b>DRAW ROD SYSTEM</b>	
LF170 059 LOWER DRAW ROD WITH NI=4 OR NI=6	
LF170 057 UPPER DRAW ROD	
<b>INNER TERMINAL</b>	
	D3 D9 Cond.area Current (A)
	(mm) (mm) (mm <sup>2</sup> ) IEC IEEE
LF170 056-E 0 *)	45 - - -
LF170 056-D	40 45 600 1600 1360

\*) WITH PILOT HOLE D=5

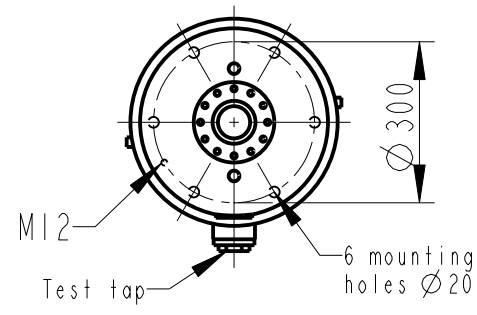
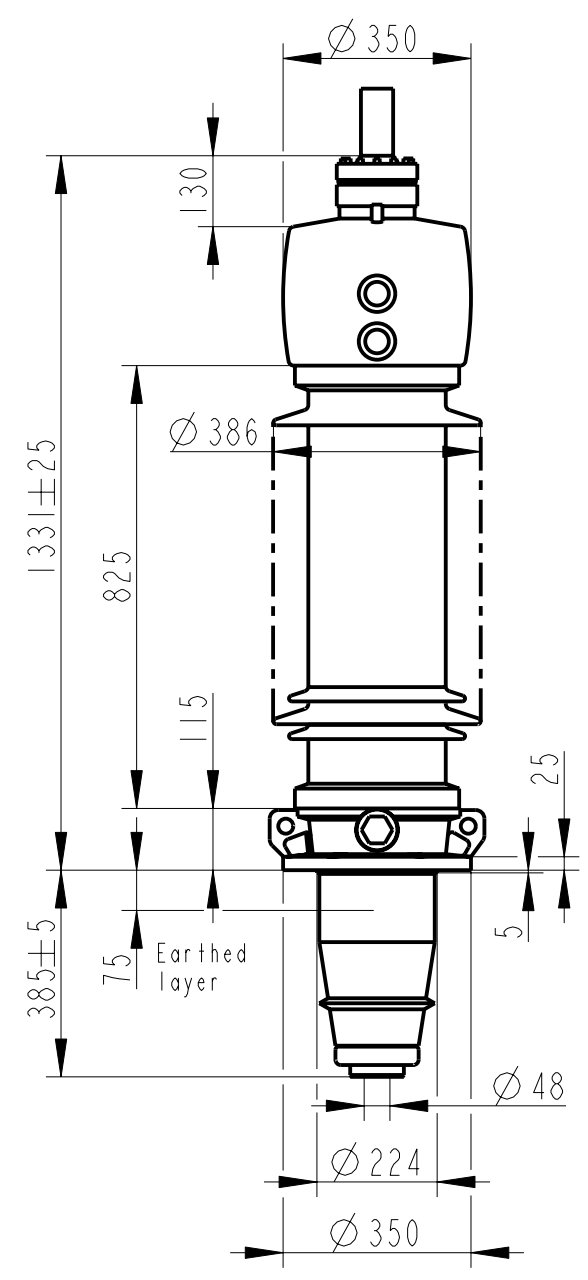
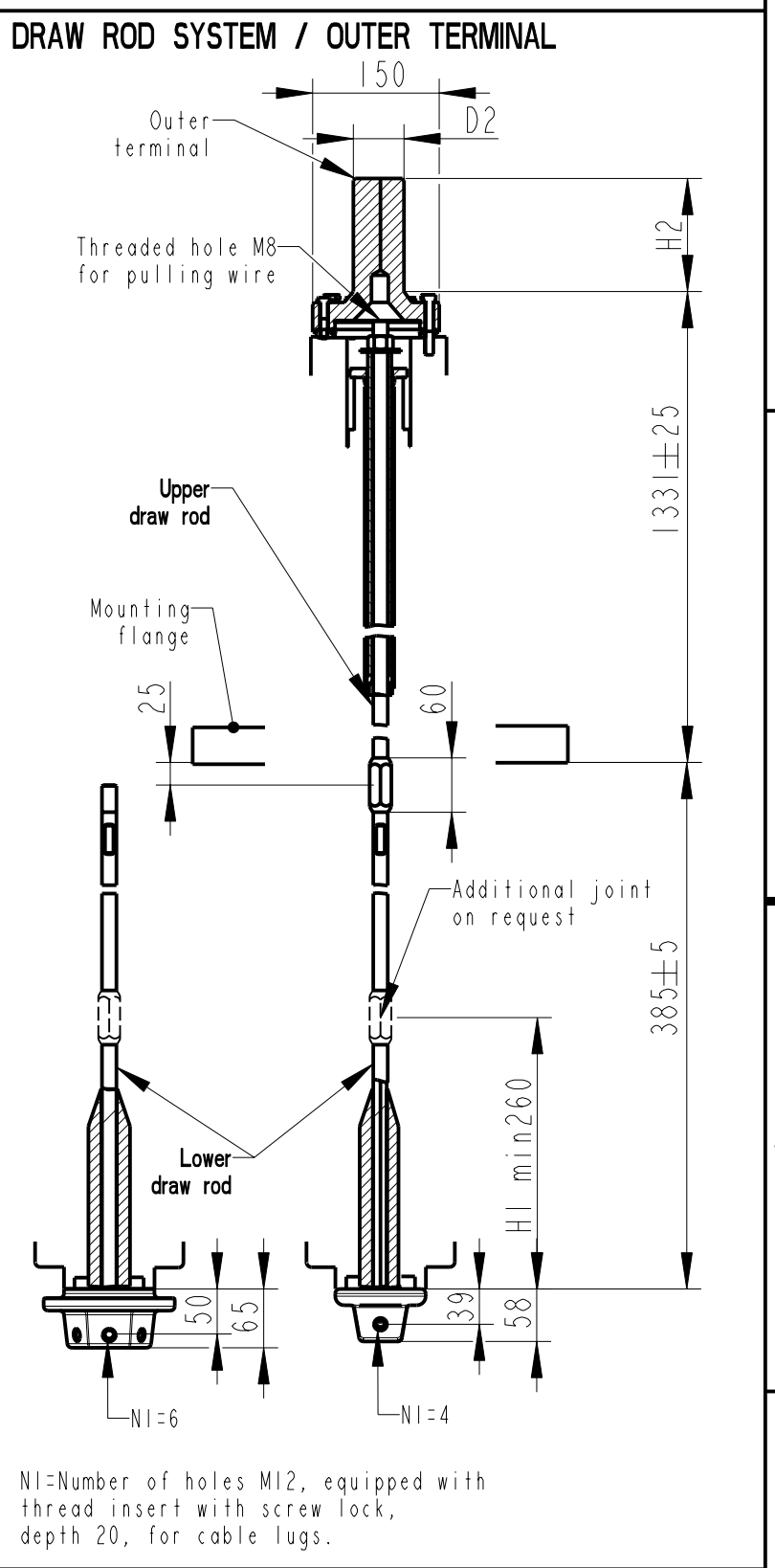
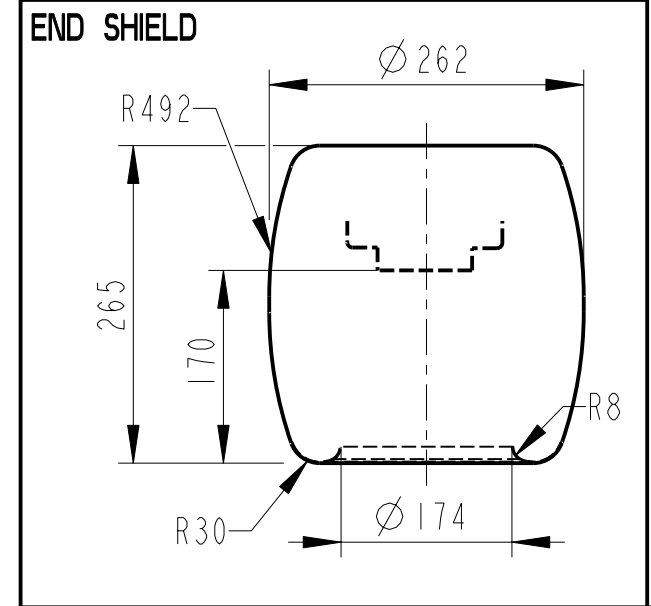
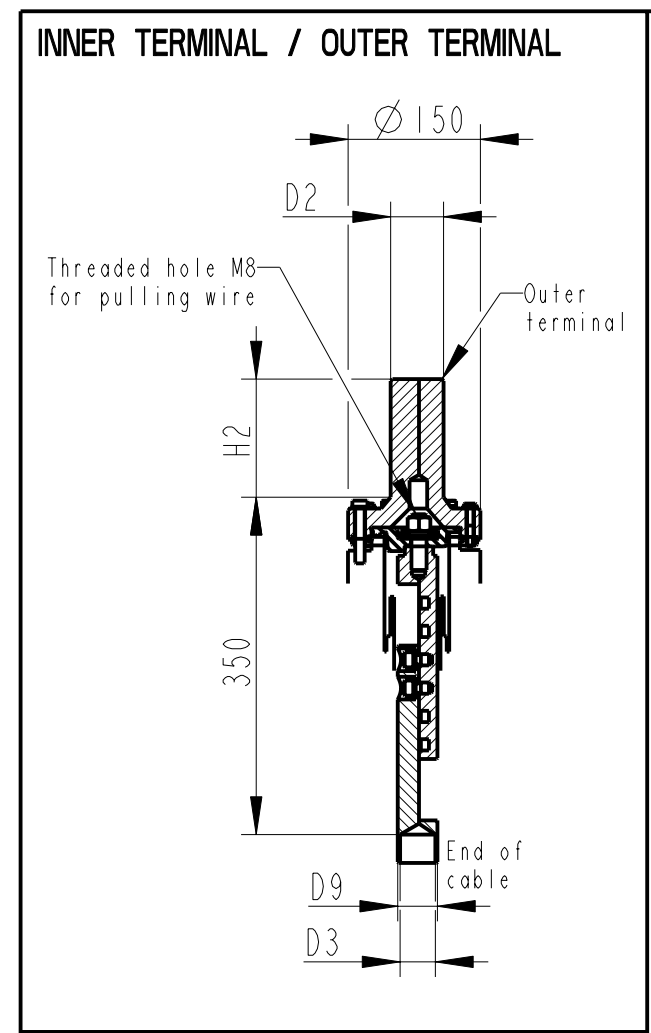


ABB Components		Ludvika, Sweden	
U <sub>1-4</sub>	N <sub>1-4</sub>	A	50-60 Hz
U	kV SI	kV AC	kV
M	kg L	mm D	
C1	pF Tanδ		
C2	pF Tanδ		



NI=Number of holes M12, equipped with thread insert with screw lock, depth 20, for cable lugs.

Based on	Reg. No.	Title	GOE-380-300-3150-0
Prepared Lövnord	Responsible department COM/BK 0022		
Approved Johansson	Take over department		Language <b>82</b>
Design engineering review Gutman	Database		
Document No.		2751369-53	

We reserve all rights in this document and in the information contained therein. Reproduction, use or disclosure to third parties without express authority is strictly forbidden. ©ABB