

Rev	Ind	Revision	Appd	Date

**Bushing Data:**

Rated Voltage	52	kV
Phase to-earth Voltage	52	kV
Dry Lightning Impulse I, 2/50µs	250	kV
Wet Switching Impulse	210	kV
Wet Power frequency AC	120	kV
Routine test Imin dry 50Hz	120	kV
Rated Current	3150	A
Creepage Distance	1425	mm
Mass	180	kg

**Ordering Data:**

<b>BUSHING</b>	COLOUR AIR INSULATOR
LF121051 -E / -AE	BROWN / LIGHT GREY
<b>OUTER TERMINAL</b>	
	H2 D2
	(mm) (mm)
LF170 073-A Al	125 60
LF170 073-B Cu	125 60
LF170 073-G Cu/Ag	125 60
OTHER TYPES ON REQUEST	
<b>END-SHIELD</b>	
LF170 046-U EPOXY INSULATED	
LF170 046-UP INSULATED WITH 3 mm PRESSBOARD	
<b>DRAW ROD SYSTEM</b>	
LF170 059 LOWER DRAW ROD WITH NI=4 OR NI=6	
LF170 057 UPPER DRAW ROD	
<b>INNER TERMINAL</b>	
	D3 D9 Cond.area Current (A)
	(mm) (mm) (mm <sup>2</sup> ) IEC IEEE
LF170 056-E 0 *)	45 - - -
LF170 056-D	40 45 600 1600 1360

\*) WITH PILOT HOLE D=5

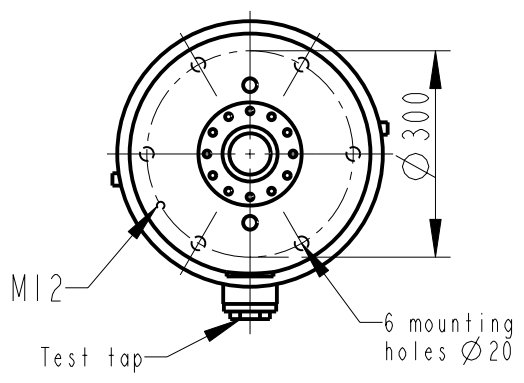
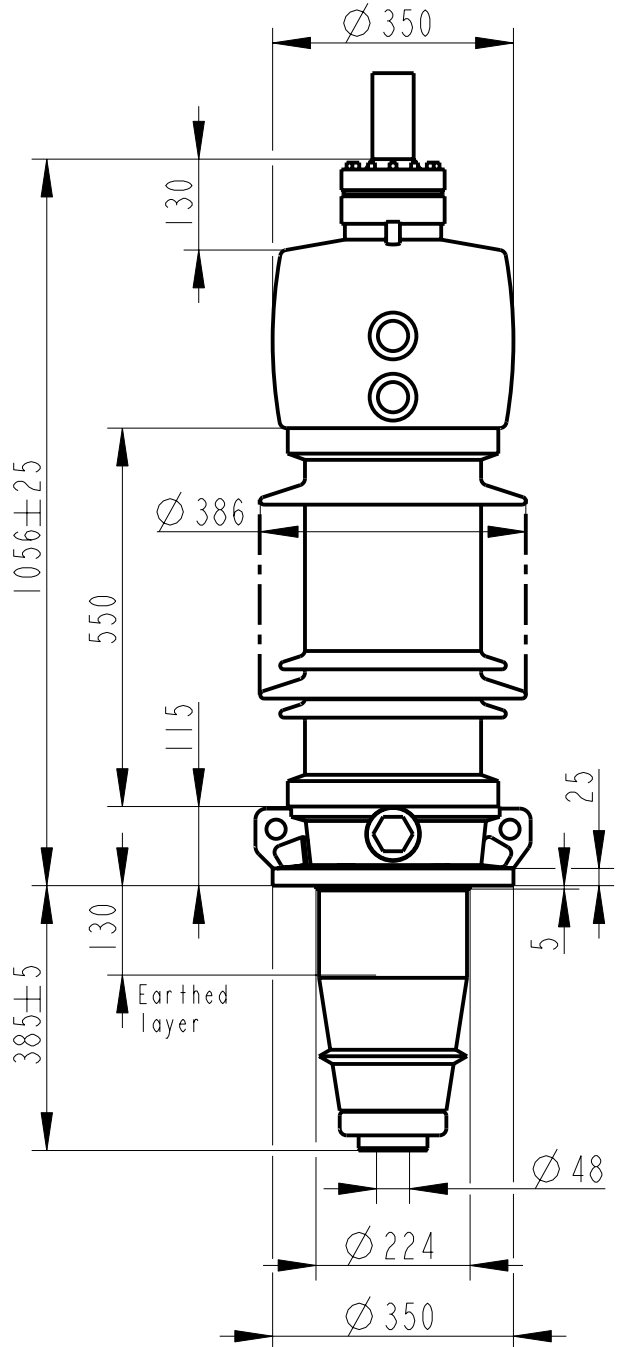
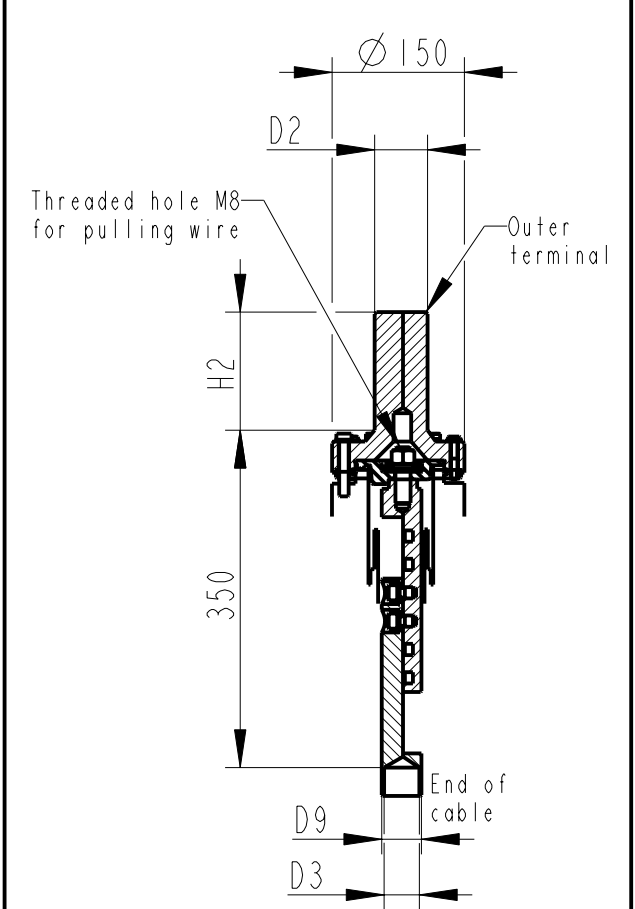
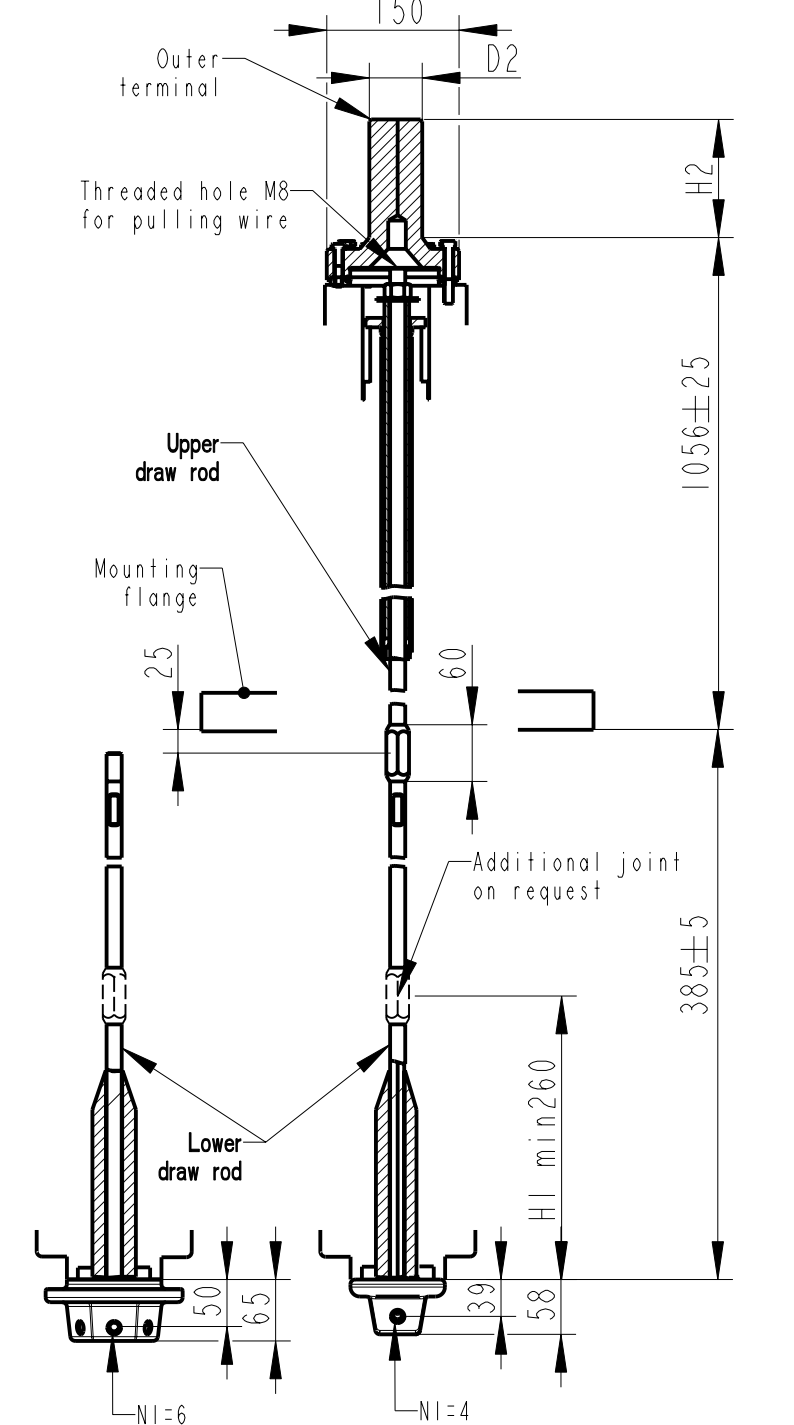


ABB Components		Ludvika, Sweden	
Ur-ty	Nb	A 50-60 Hz	
U	kV SI	kV AC	kV
M	kg L	mm D	
C1	pF Tanδ	:	
C2	pF Tanδ	:	

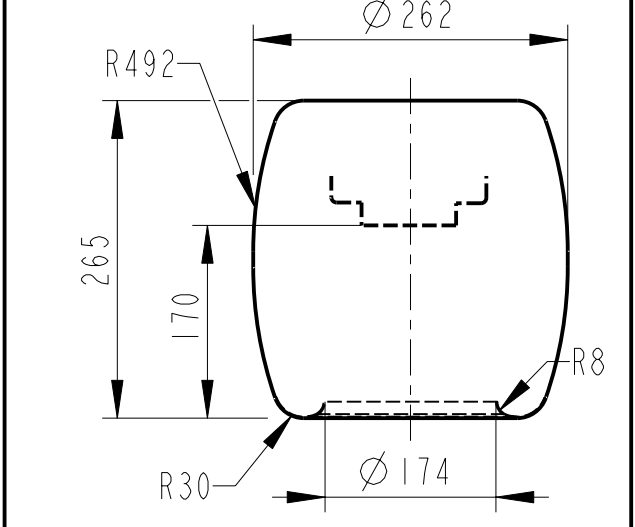
**INNER TERMINAL / OUTER TERMINAL**



**DRAW ROD SYSTEM / OUTER TERMINAL**



**END SHIELD**



NI=Number of holes M12, equipped with thread insert with screw lock, depth 20, for cable lugs.

Based on	Reg. No.	Title	
Prepared Lövnord	Responsible department COM/BK 0022	GOE-250-210-3150-0	
Approved Johansson	Take over department		
Design engineering review Gutman	Database		
<b>ABB</b> ABB Components		Document No. 2751369-51	

We reserve all rights in this document and in the information contained therein. Reproduction, use or disclosure to third parties without express authority is strictly forbidden. ©ABB