

Bushing Data:

Rated Voltage	800	kV
Phase to-earth Voltage	485	kV
Dry Lightning Impulse 1,2/50µs	2550	kV
Wet Switching Impulse	1620	kV
Wet Power frequency AC	1000	kV
Routine test Imin dry 50Hz	1000	kV
Rated Current	2500	A
Creepage Distance	20000	mm
Mass	2865	kg

Ordering Data:

BUSHING	COLOUR AIR INSULATOR
LF121083 -B / -AB	BROWN / LIGHT GREY
OUTER TERMINAL	
	H2 D2
	(mm) (mm)
LF170 073-A Al	125 60
LF170 073-B Cu	125 60
LF170 073-G Cu/Ag	125 60
OTHER TYPES ON REQUEST	

END-SHIELD
 LF170 046-X EPOXY INSULATED
 LF170 046-XP INSULATED WITH 5 mm PRESSBOARD

DRAW ROD SYSTEM

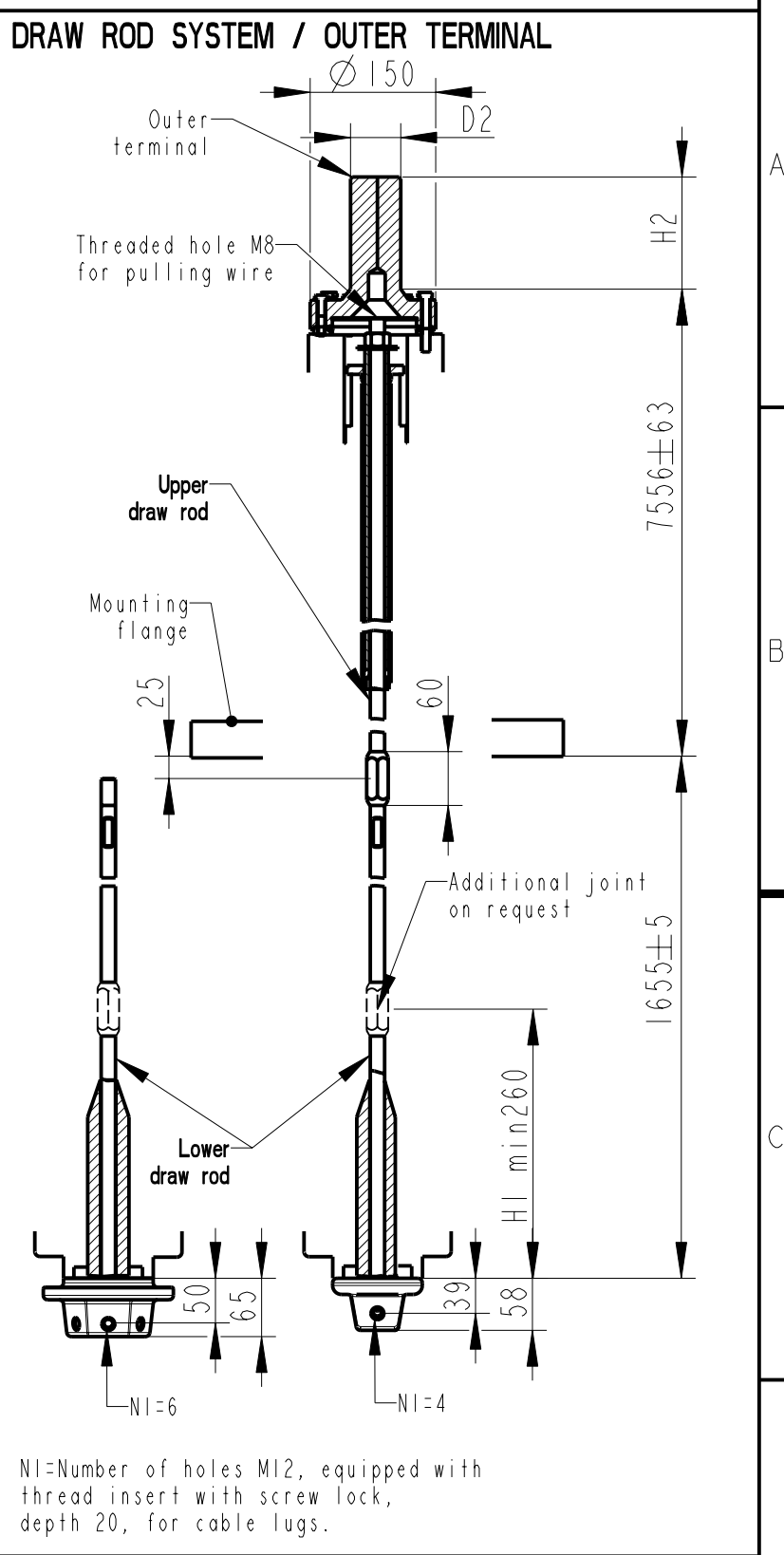
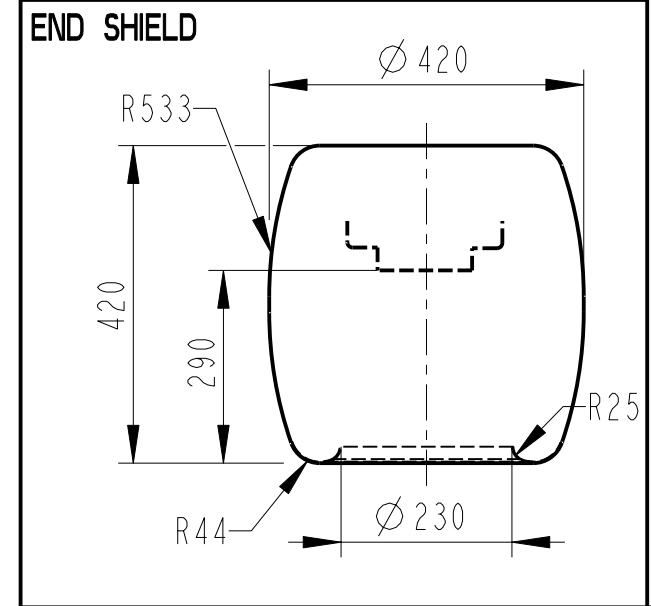
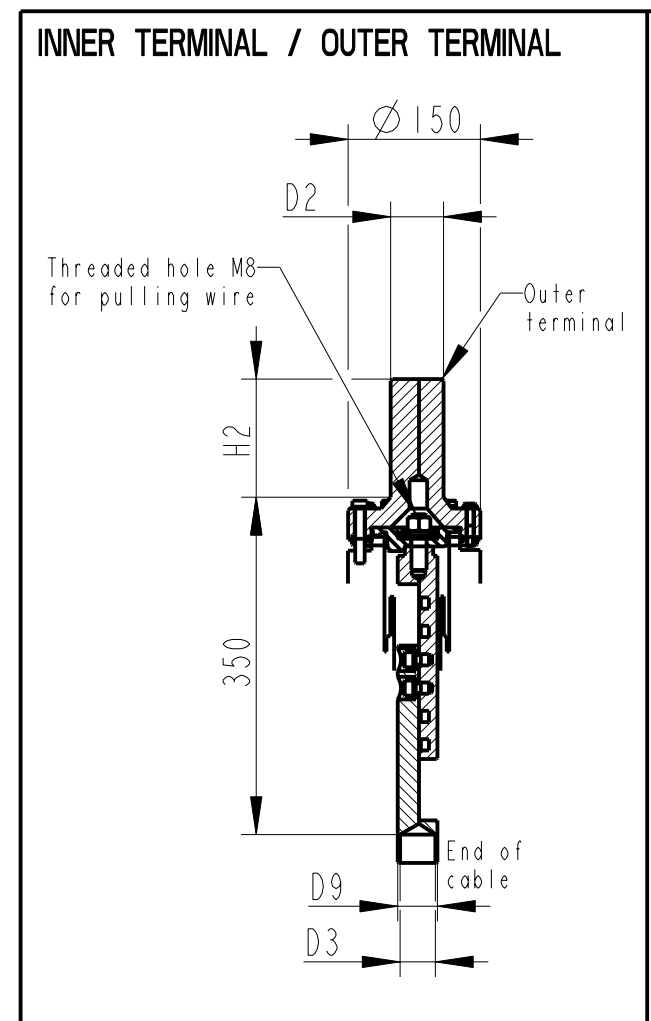
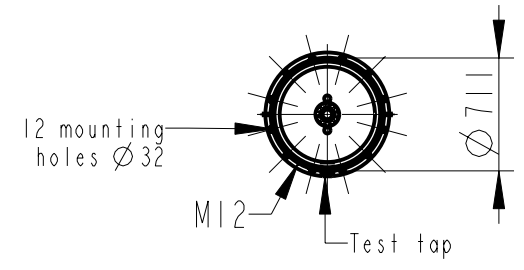
LF170 059	LOWER DRAW ROD WITH NI=4 OR NI=6
LF170 057	UPPER DRAW ROD

INNER TERMINAL

D3	D9	Cond.area	Current (A)
(mm)	(mm)	(mm ²)	IEC IEEE
LF170 056-E 0*)	45	-	-
LF170 056-D	40	600	1600 1360

*) WITH PILOT HOLE D=5

ABB Components		Lubika, Sweden	
U ₁	N ₁	A	50-60 Hz
U	kV SI	kV AC	kV
M	kg L	mm D	
C1	pF Tanδ		
C2	pF Tanδ		



NI=Number of holes M12, equipped with thread insert with screw lock, depth 20, for cable lugs.

Based on	Reg. No.	Title	Language
Prepared Lövnord	Responsible department COM/BK 0022	GOE-2550-1600-2500-0.3	
Approved Johansson	Take over department		Page
Design engineering review Gutman	Database		1(1)
ABB Components		Document No.	2751369-49

We reserve all rights in this document and in the information contained therein. Reproduction, use or disclosure to third parties without express authority is strictly forbidden. ©ABB