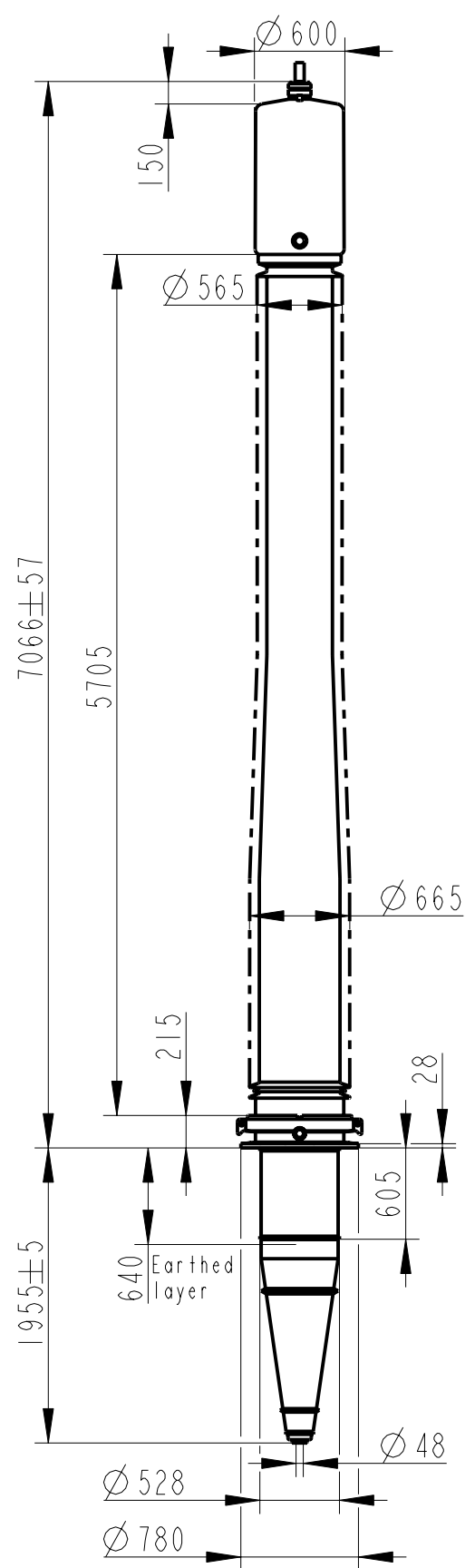


| | | | | |
|-----|-----|----------|------|------|
| Rev | Ind | Revision | Appd | Date |
| | | | | |



Bushing Data:

| | | |
|--------------------------------|-------|----|
| Rated Voltage | 800 | kV |
| Phase to-earth Voltage | 485 | kV |
| Dry Lightning Impulse 1,2/50µs | 2550 | kV |
| Wet Switching Impulse | 1550 | kV |
| Wet Power frequency AC | 950 | kV |
| Routine test Imin dry 50Hz | 1000 | kV |
| Rated Current | 2500 | A |
| Creepage Distance | 18320 | mm |
| Mass | 2760 | kg |

Ordering Data:

BUSHING COLOUR AIR INSULATOR
 LF121082 -A / -AA BROWN / LIGHT GREY

OUTER TERMINAL

| | | |
|-------------------|------|------|
| | H2 | D2 |
| | (mm) | (mm) |
| LF170 073-A Al | 125 | 60 |
| LF170 073-B Cu | 125 | 60 |
| LF170 073-G Cu/Ag | 125 | 60 |

OTHER TYPES ON REQUEST

END-SHIELD
 LF170 046-X EPOXY INSULATED
 LF170 046-XP INSULATED WITH 5 mm PRESSBOARD

DRAW ROD SYSTEM
 LF170 059 LOWER DRAW ROD WITH NI=4 OR NI=6
 LF170 057 UPPER DRAW ROD

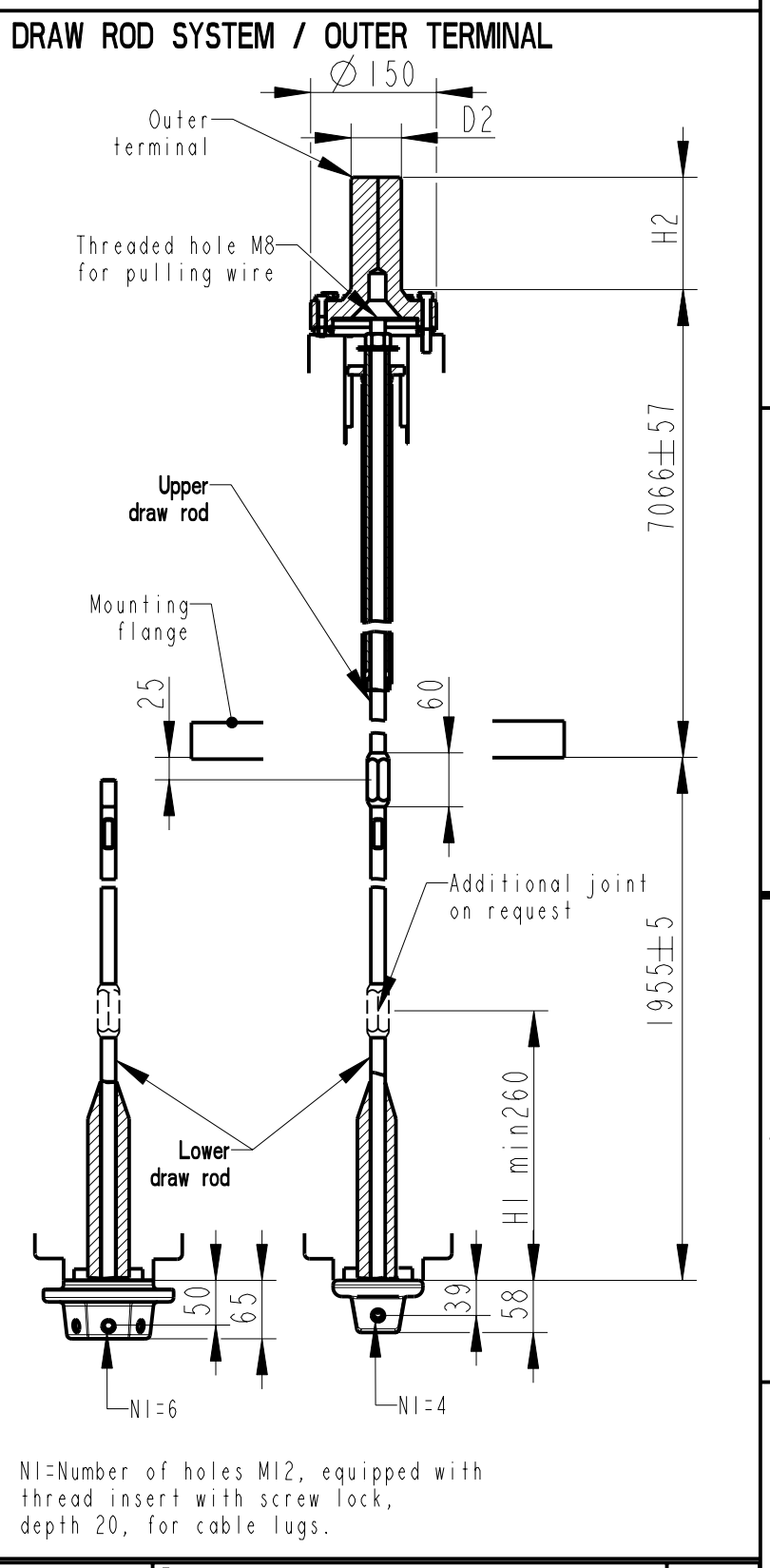
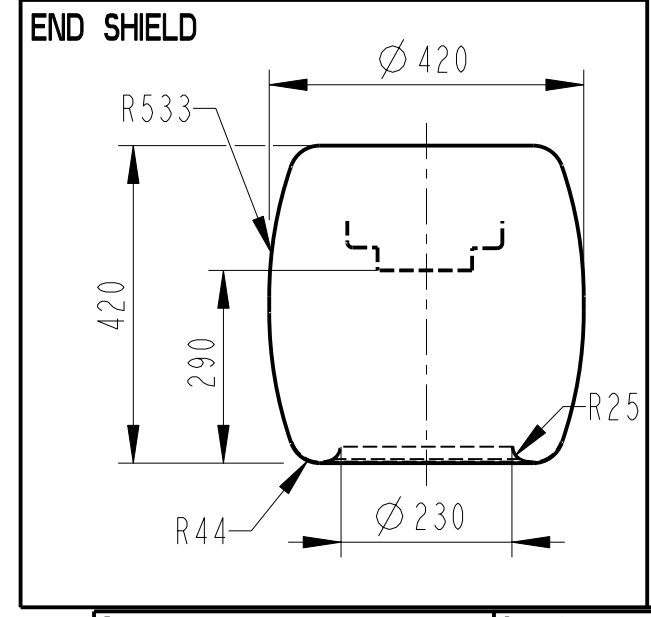
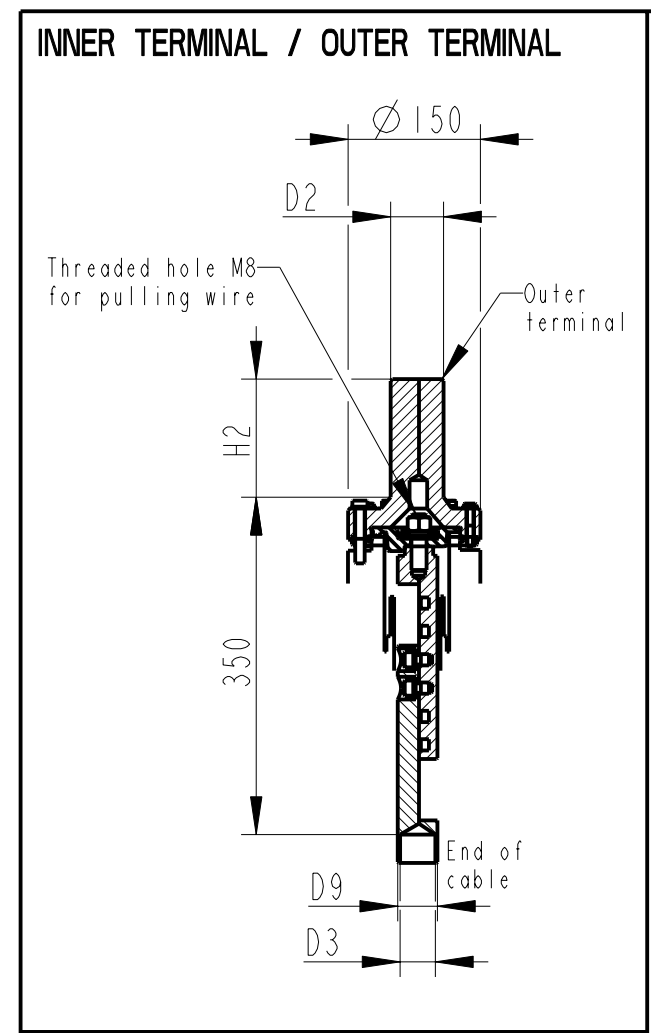
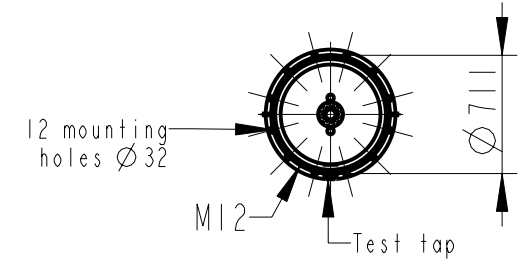
INNER TERMINAL

| D3 | D9 | Cond.area | Current (A) | |
|-----------------|------|--------------------|-------------|------|
| (mm) | (mm) | (mm ²) | IEC | IEEE |
| LF170 056-E 0*) | 45 | - | - | - |
| LF170 056-D | 40 | 600 | 1600 | 1360 |

*) WITH PILOT HOLE D=5

ABB Components Luleå, Sweden

| | | |
|-------|---------|----------|
| Ur-ty | Nb. | 50-60 Hz |
| U | kV SI | kV AC |
| M | kg L | mm D |
| C1 | pF Tanδ | : |
| C2 | pF Tanδ | : |



NI=Number of holes M12, equipped with thread insert with screw lock, depth 20, for cable lugs.

| | | | |
|-------------------------------------|---------------------------------------|----------------------------|--|
| Based on | Reg. No. | Title | |
| Prepared Lövnord | Responsible department COM/BK 0022 | GOE-2550-1550-2500-0.6 | |
| Approved Johansson | Take over department | | |
| Design engineering review Gutman | Database | Page 1(1) | |
| ABB ABB Components | | Document No. 2751369-47 | |

We reserve all rights in this document and in the information contained therein. Reproduction, use or disclosure to third parties without express authority is strictly forbidden. ©ABB