

Bushing Data:

Rated Voltage	550	kV
Phase to-earth Voltage	318	kV
Dry Lightning Impulse	1800	kV
Wet Switching Impulse	1300	kV
Wet Power frequency AC	800	kV
Routine test Imin dry 50Hz	800	kV
Rated Current	2500	A
Creepage Distance	13380	mm
Mass	1750	kg

Ordering Data:

BUSHING
 LF121074 -B / -AB COLOUR AIR INSULATOR
 BROWN / LIGHT GREY

OUTER TERMINAL

LF170 073-A Al	H2 (mm)	D2 (mm)
LF170 073-B Cu	125	60
LF170 073-G Cu/Ag	125	60
OTHER TYPES ON REQUEST	125	60

END-SHIELD
 LF170 046-V EPOXY INSULATED
 LF170 046-VP INSULATED WITH 3 mm PRESSBOARD

DRAW ROD SYSTEM
 LF170 059 LOWER DRAW ROD WITH NI=4 OR NI=6
 LF170 057 UPPER DRAW ROD

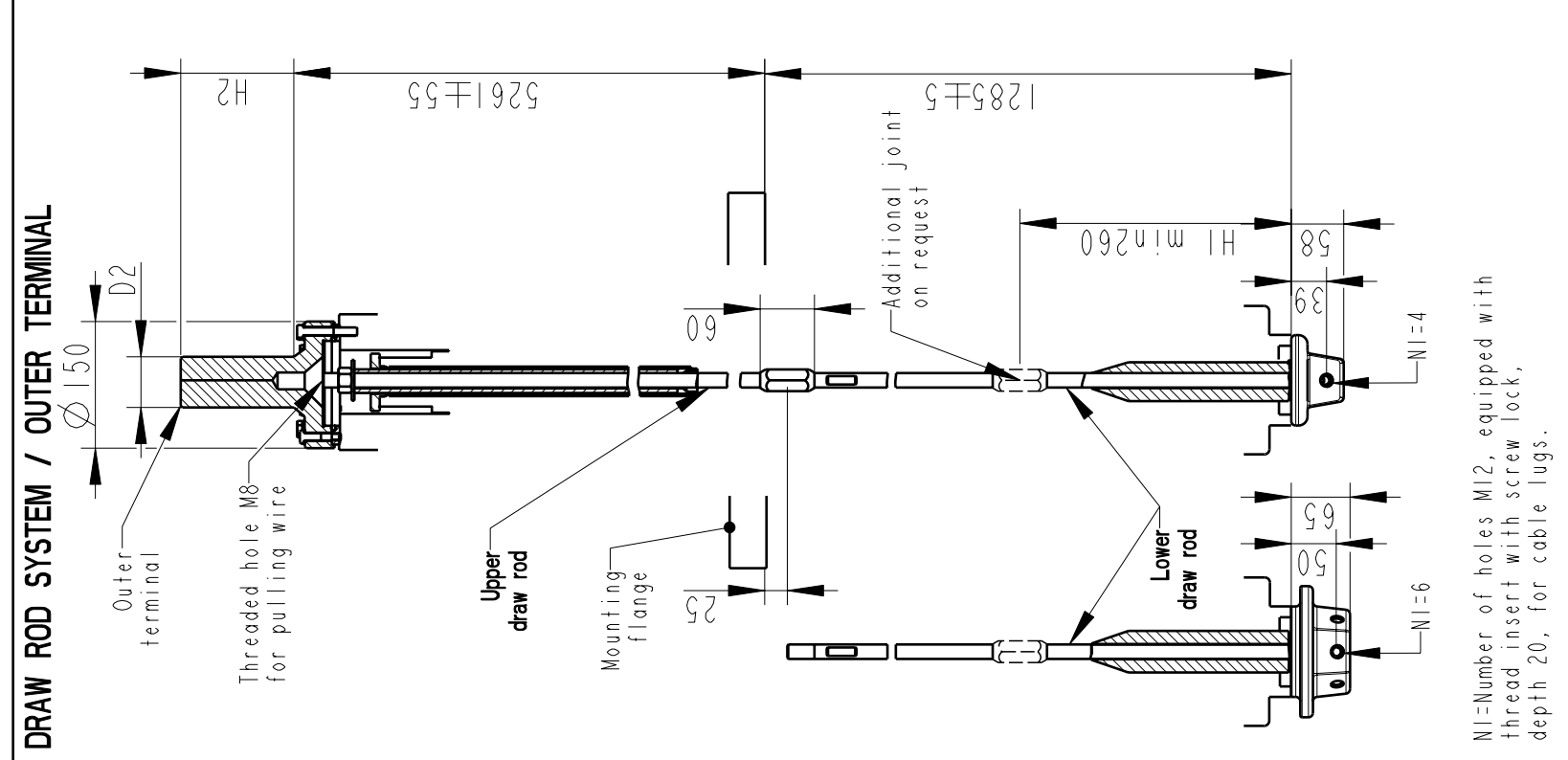
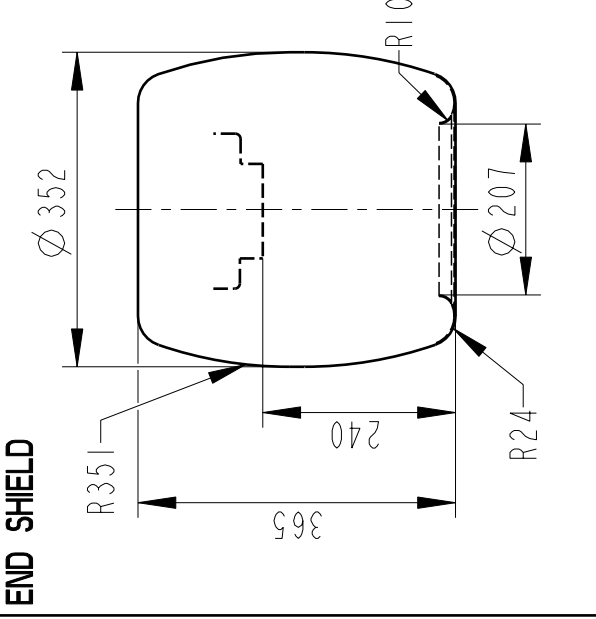
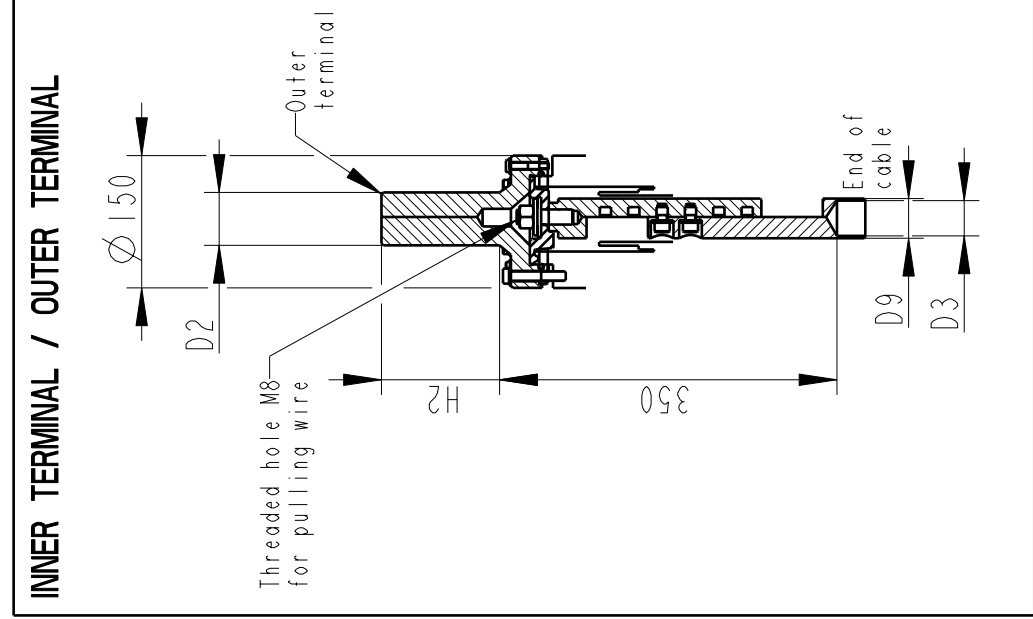
INNER TERMINAL

D3 (mm)	D9 (mm)	Cond. area (mm ²)	Current (A)	IEEC
LF170 056-E O*)	45	-	-	-
LF170 056-D	40	45	600	1600
				1360

*) WITH PILOT HOLE D=5

ABB Components Lutha, Sweden

No.	kV	A	50/60	Hz
U ₁	kV	SI	kV	AC
M	kg	L	mm	D
C1	pF	Tanδ		
C2	pF	Tanδ		



Based on

Reg. No.

Responsible department
COM/BK 0022

Take over department
Johansson

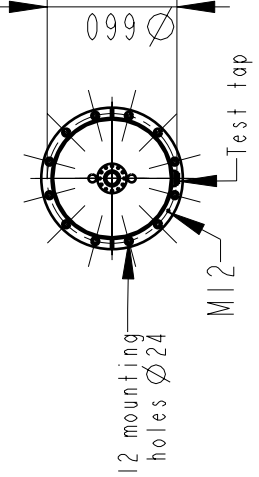
Database
Design engineering review
Gutman

Title
GOE-1800-1300-2500-0.3

Language
82

Page
1(1)

Document No.
2751369-41



We reserve all rights in this document and in the information contained therein. Reproduction, use or disclosure to third parties without express authority is strictly forbidden.
 ©ABB