

Bushing Data:

Rated Voltage	550	kV
Phase to-earth Voltage	318	kV
Dry Lightning Impulse	1675	kV
Wet Switching Impulse	1300	kV
Wet Power frequency AC	790	kV
Routine test Imin dry 50Hz	750	kV
Rated Current	2500	A
Creepage Distance	13380	mm
Mass	1750	kg

Ordering Data:

BUSHING
 LF121073 -E / -AE COLOUR AIR INSULATOR
 BROWN / LIGHT GREY

OUTER TERMINAL

LF170 073-A Al	H2 (mm)	D2 (mm)
LF170 073-B Cu	125	60
LF170 073-G Cu/Ag	125	60
OTHER TYPES ON REQUEST	125	60

END-SHIELD
 LF170 046-V EPOXY INSULATED
 LF170 046-VP INSULATED WITH 3 mm PRESSBOARD

DRAW ROD SYSTEM
 LF170 059 LOWER DRAW ROD WITH NI=4 OR NI=6
 LF170 057 UPPER DRAW ROD

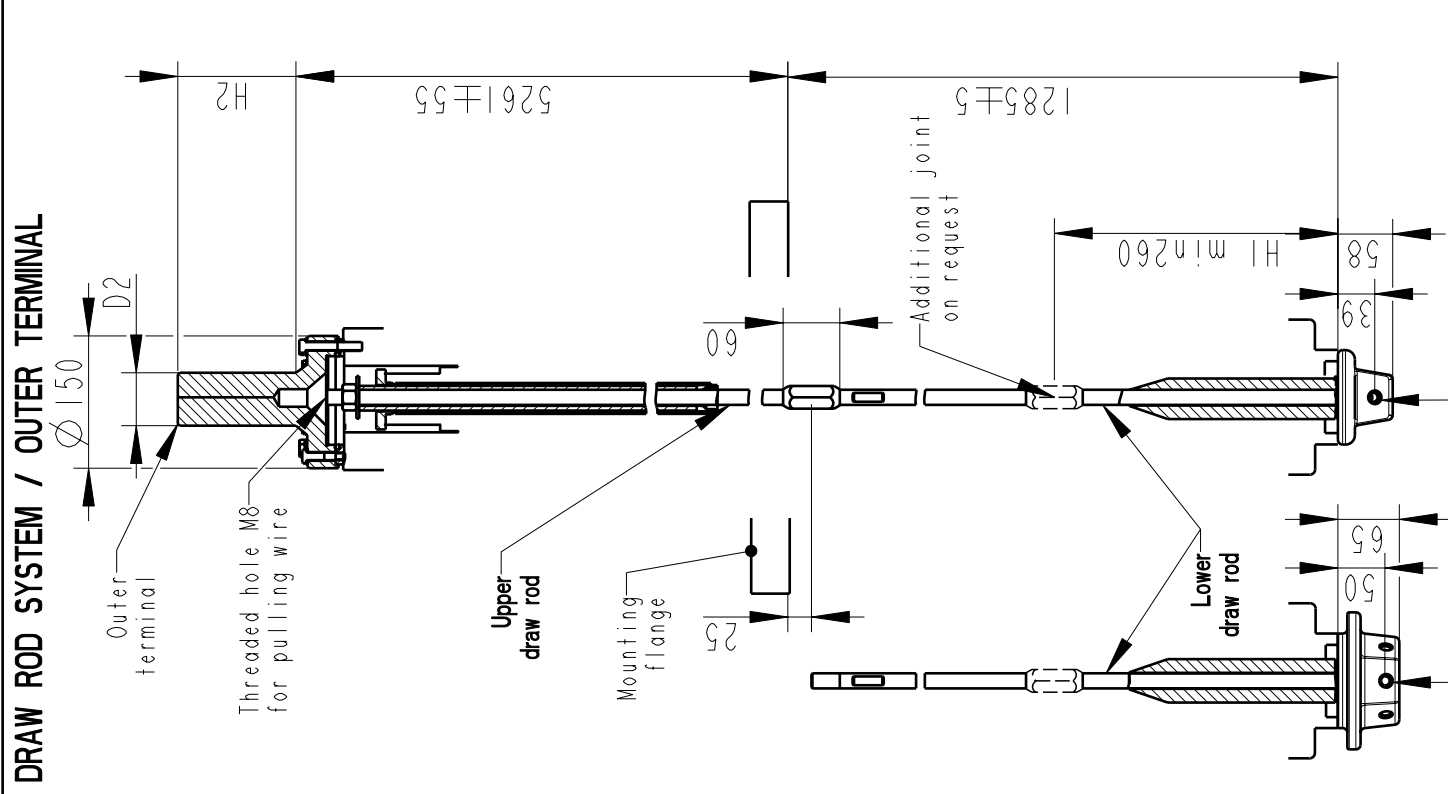
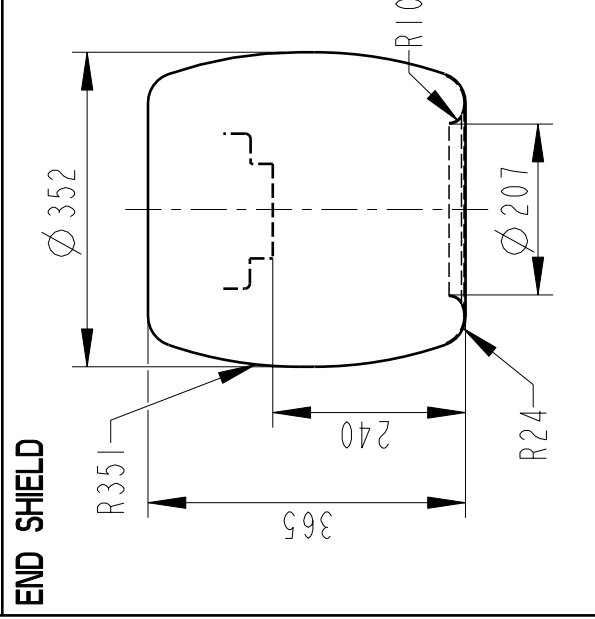
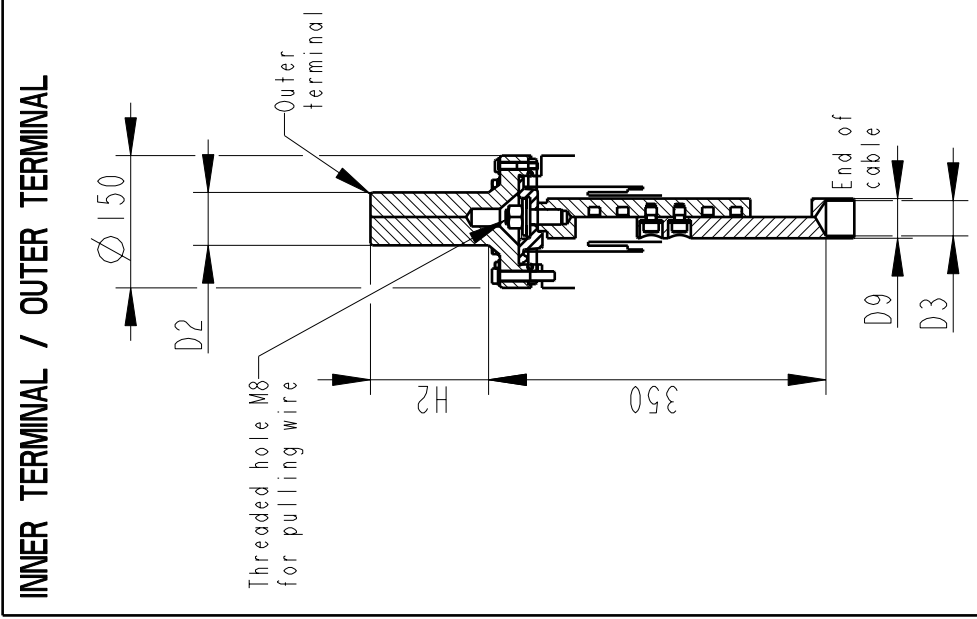
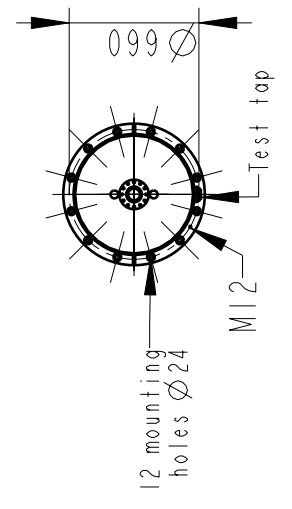
INNER TERMINAL

D3 (mm)	D9 (mm)	Cond. area (mm ²)	Current (A)	IEEC
LF170 056-E O*)	45	-	-	-
LF170 056-D	40	45	600	1600
				1360

*) WITH PILOT HOLE D=5

ABB Components Lutha, Sweden

No.	kV	A	50/60	Hz
U ₁	kV	SI	kV	AC
M	kg	L	mm	D
C1	pF	Tanδ		
C2	pF	Tanδ		



NI=Number of holes M12, equipped with thread insert with screw lock, depth 20, for cable lugs.

Based on	Reg. No.	Title
Prepared	Responsible department	GOE-1675-1300-2500-0.3
Lövnord	COM/BK 0022	
Approved	Take over department	
Johansson	Database	
Design engineering review		
Gutman		
ABB ABB Components		Document No. 2751369-38