

Bushing Data:

Rated Voltage	550	kV
Phase to-earth Voltage	318	kV
Dry Lightning Impulse I, 2/50µs	1675	kV
Wet Switching Impulse	1300	kV
Wet Power frequency AC	730	kV
Routine test Imin dry 50Hz	750	kV
Rated Current	2500	A
Creepage Distance	11700	mm
Mass	1600	kg

Ordering Data:

BUSHING
 LFI21073 -B / -AB COLOUR AIR INSULATOR
 BROWN / LIGHT GREY

OUTER TERMINAL

LFI170 073-A Al	H2 (mm)	D2 (mm)
LFI170 073-B Cu	125	60
LFI170 073-G Cu/Ag	125	60
OTHER TYPES ON REQUEST		

END-SHIELD

LFI170 046-V EPOXY INSULATED
 LFI170 046-VP INSULATED WITH 3 mm PRESSBOARD

DRAW ROD SYSTEM

LFI170 059 LOWER DRAW ROD WITH NI=4 OR NI=6
 LFI170 057 UPPER DRAW ROD

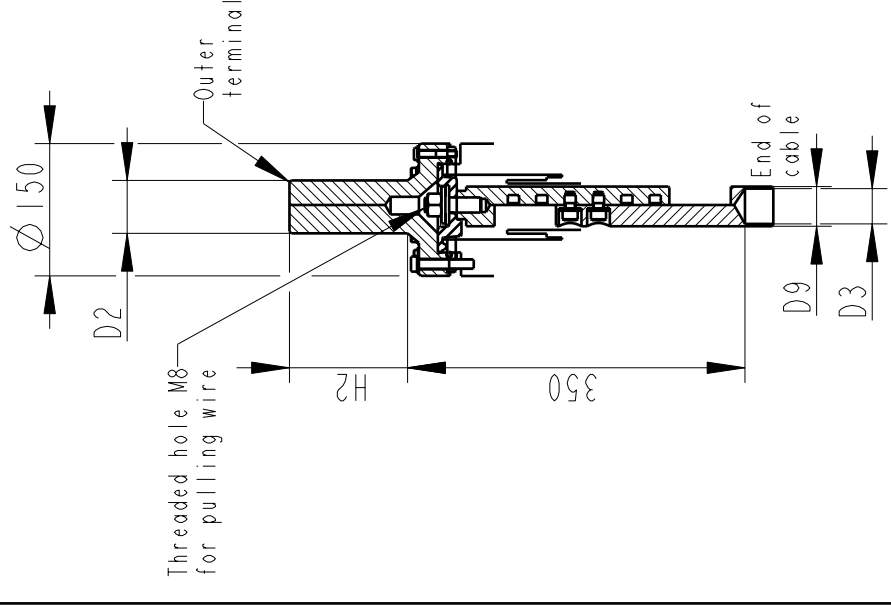
INNER TERMINAL

D3 (mm)	D9 (mm)	Cond. area (mm ²)	Current (A)	IEEC
LFI170 056-E O*)	45	-	-	-
LFI170 056-D	40	600	1600	1360

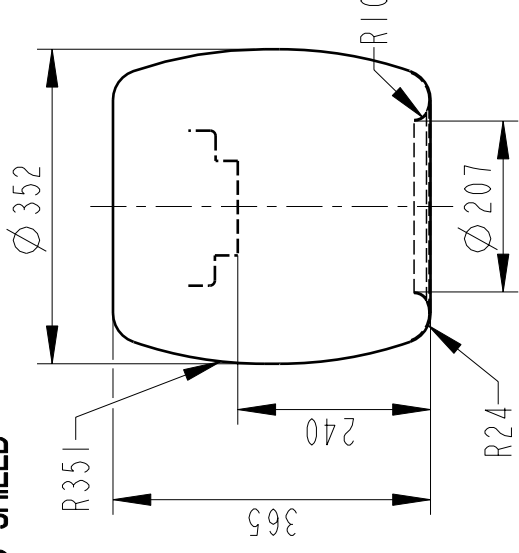
*) WITH PILOT HOLE D=5

ABB Components		Lutika, Sweden	
No.	Unit	Unit	Unit
U	kV	A	50/60 Hz
L	kV	SI	kV AC
M	kg	L	mm D
C1	pF	L	Tan δ
C2	pF	L	Tan δ

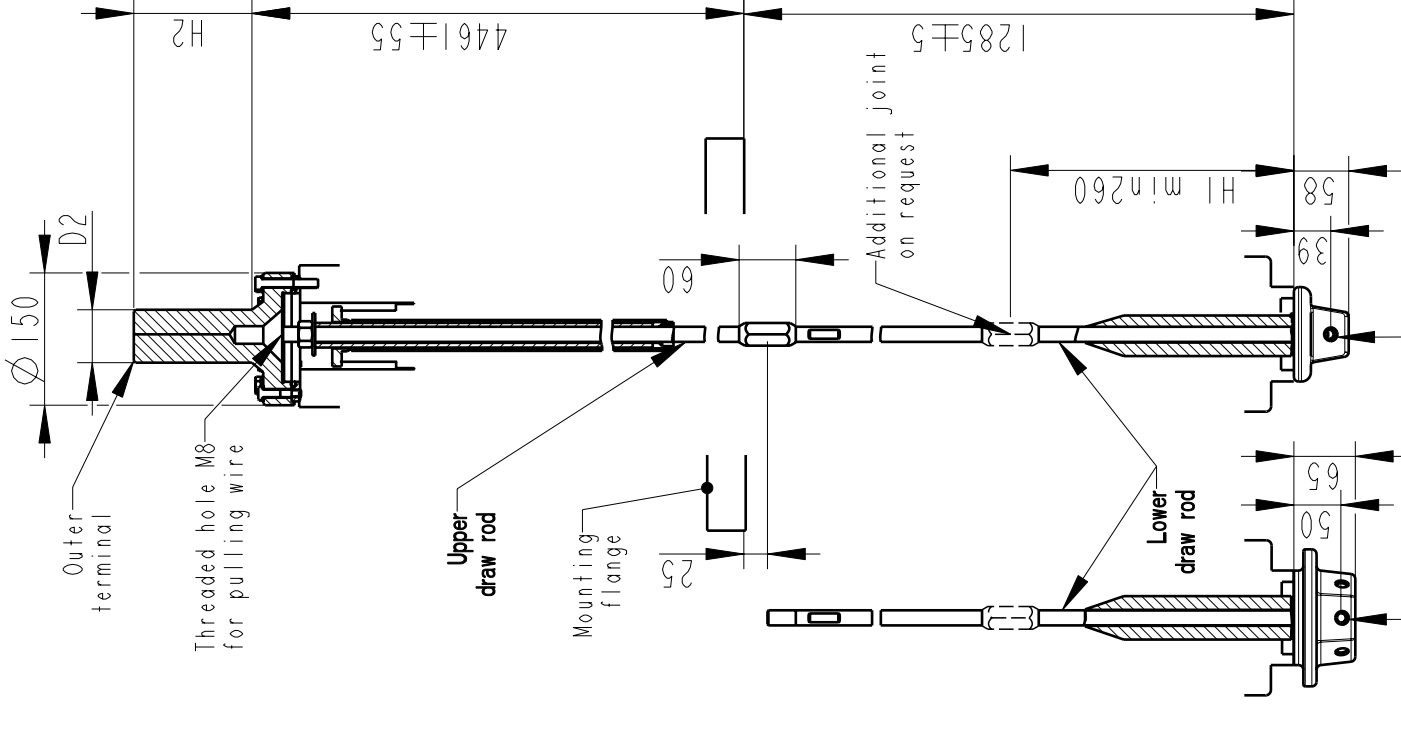
INNER TERMINAL / OUTER TERMINAL



END SHIELD



DRAW ROD SYSTEM / OUTER TERMINAL



NI=Number of holes M12, equipped with thread insert with screw lock, depth 20, for cable lugs.

Based on	Reg. No.	Title
Prepared	Responsible department	GOE-1675-1175-2500-0.3
Lövnord	COM/BK 0022	
Approved	Take over department	
Johansson	Database	
Design engineering review		
Gutman		

ABB ABB Components

Document No. 2751369-35

Language	82
Page	1(1)

Rev Ind	Revision	Appd	Date
5			
6			