

Bushing Data:

Rated Voltage	52	kV
Phase to-earth Voltage	52	kV
Dry Lightning Impulse 1,2/50µs	250	kV
Wet Switching Impulse	210	kV
Wet Power frequency AC	120	kV
Routine test Imin dry 50Hz	120	kV
Rated Current	5000	A
Creepage Distance	1425	mm
Mass	225	kg

Ordering Data:

BUSHING COLOUR AIR INSULATOR
 LF121051 -D / -AD BROWN / LIGHT GREY

OUTER TERMINAL

	H2	D2
	(mm)	(mm)
LF170 073-A Al	125	60
LF170 073-B Cu	125	60
LF170 073-G Cu/Ag	125	60
OTHER TYPES ON REQUEST		

END-SHIELD
 LF170 046-U EPOXY INSULATED
 LF170 046-UP INSULATED WITH 3 mm PRESSBOARD

DRAW ROD SYSTEM
 LF170 059 LOWER DRAW ROD WITH NI=4 OR NI=6
 LF170 057 UPPER DRAW ROD

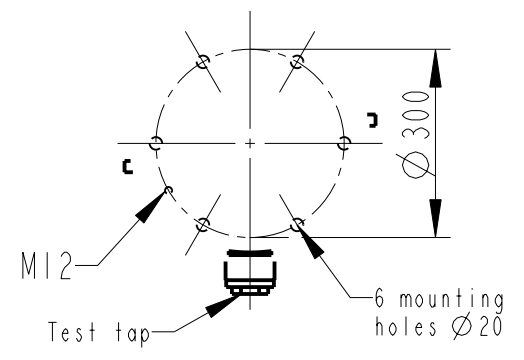
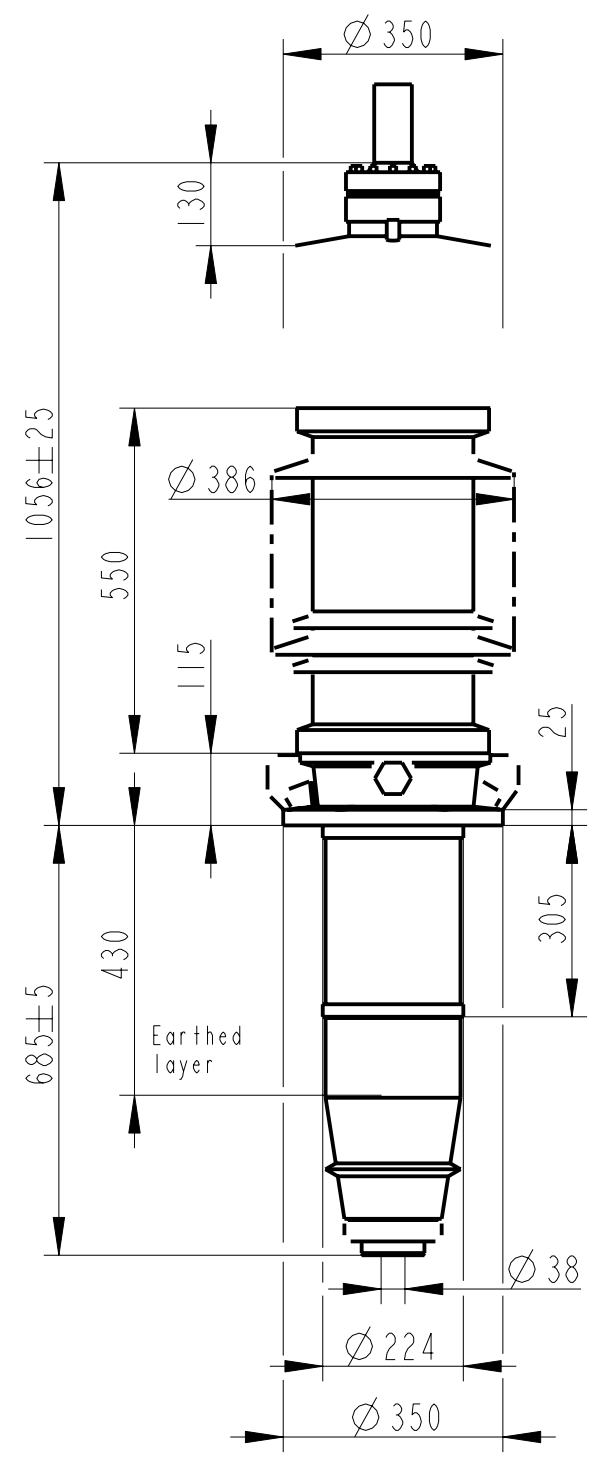
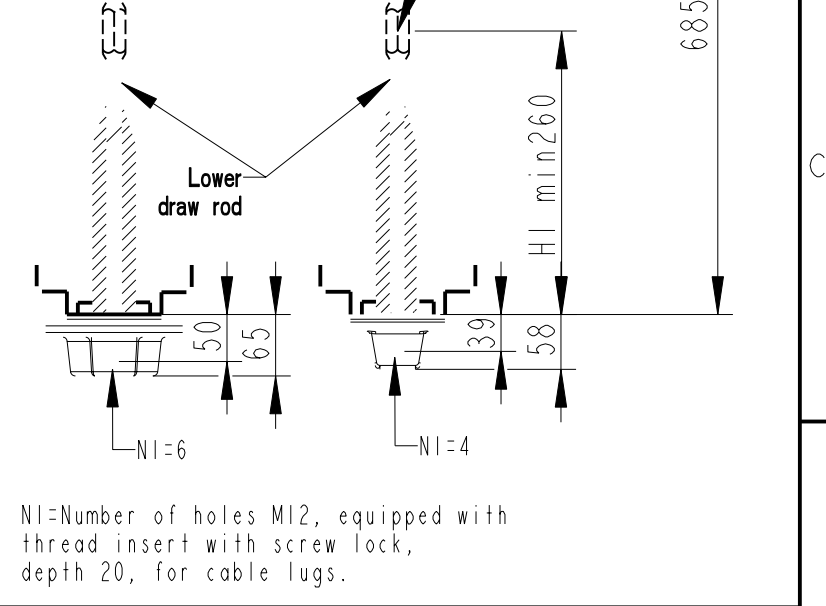
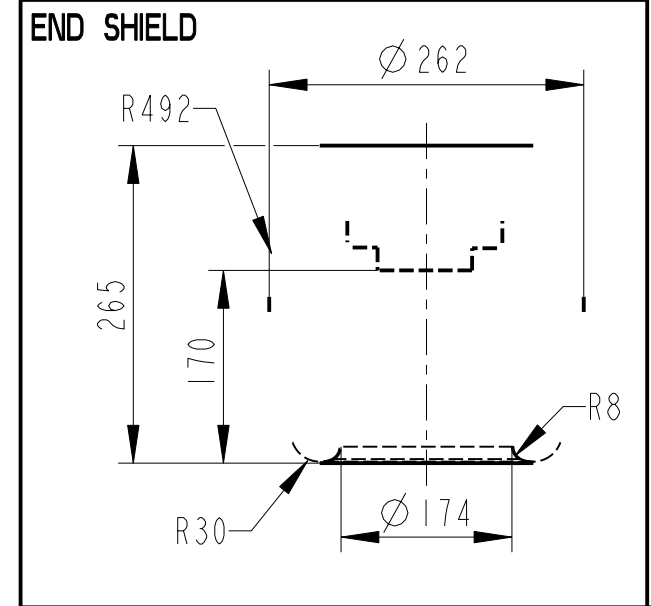
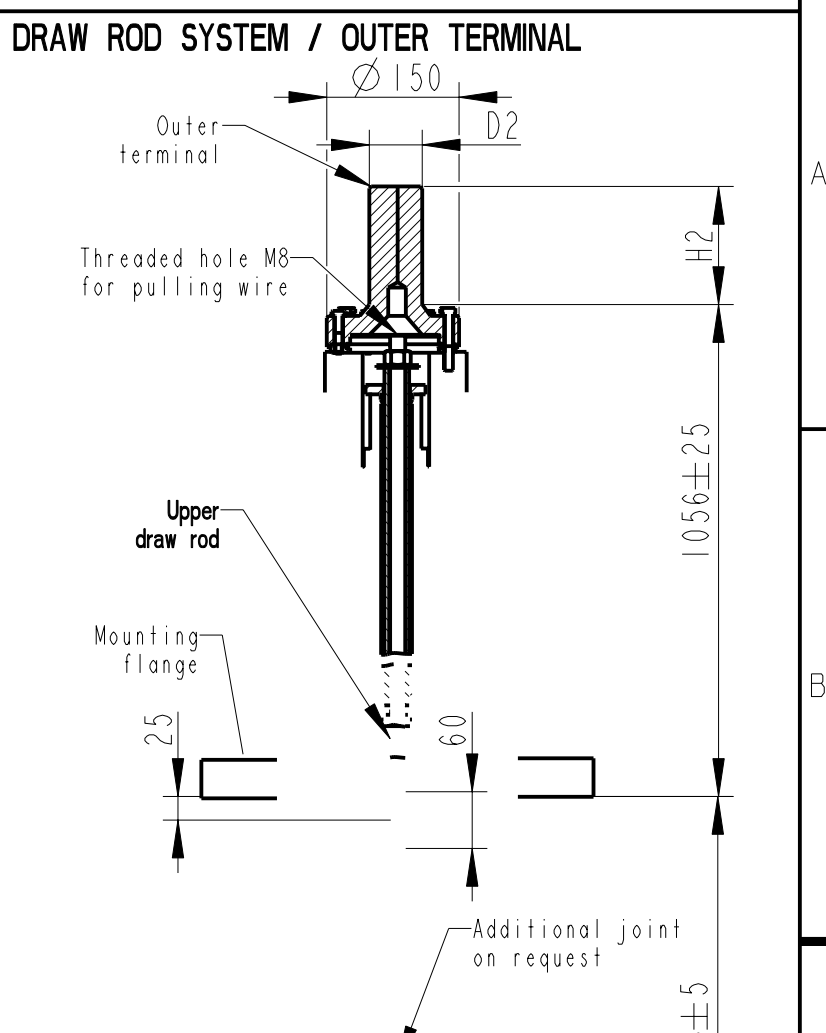
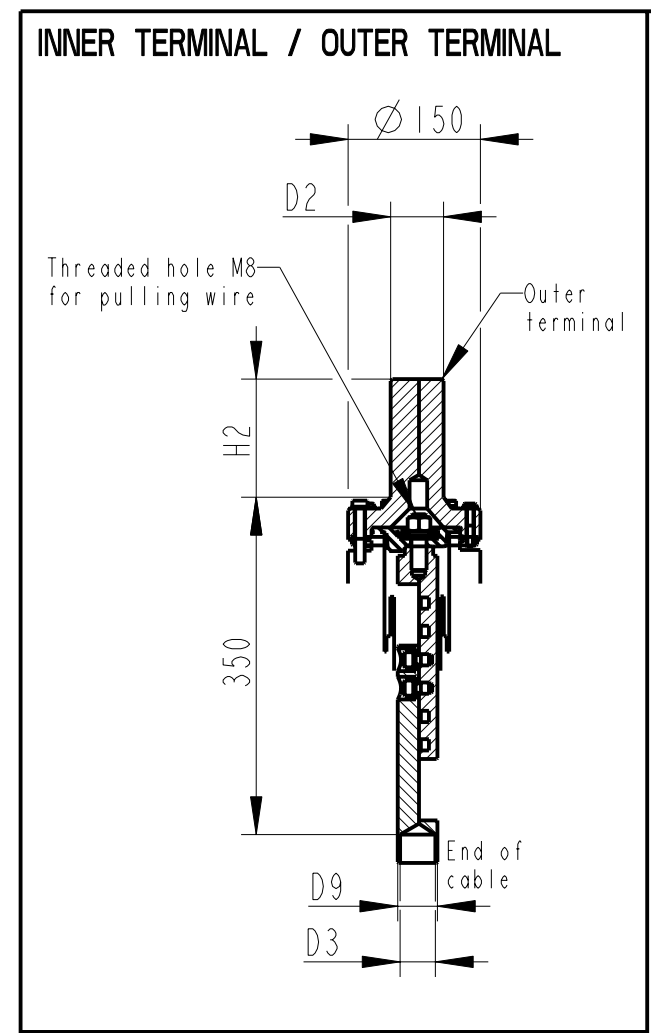
INNER TERMINAL

	D3	D9	Cond.area	Current (A)
	(mm)	(mm)	(mm ²)	IEC
				IEEE
LF170 056-A 0 *)	35	-	-	-
LF170 056-B	15	35	95	390
LF170 056-C	30	35	285	1000

*) WITH PILOT HOLE D=5

ABB Components Luleå, Sweden

Ur-ty	Nb				
U	kV	SI	kV	AC	kV
M	kg	L	mm	∇	
C1	pF	Tanδ			
C2	pF	Tanδ			



We reserve all rights in this document and in the information contained therein. Reproduction, use or disclosure to third parties without express authority is strictly forbidden. ©ABB

Based on	Reg. No.	Title	ABB Components
Prepared Lövnord	Responsible department COM/BK 0022	GOE-250-210-5000-0.3	
Approved Johansson	Take over department		
Design engineering review Gutman	Database	Document No. 2751369-3	
			Language 82 Page 1(1)