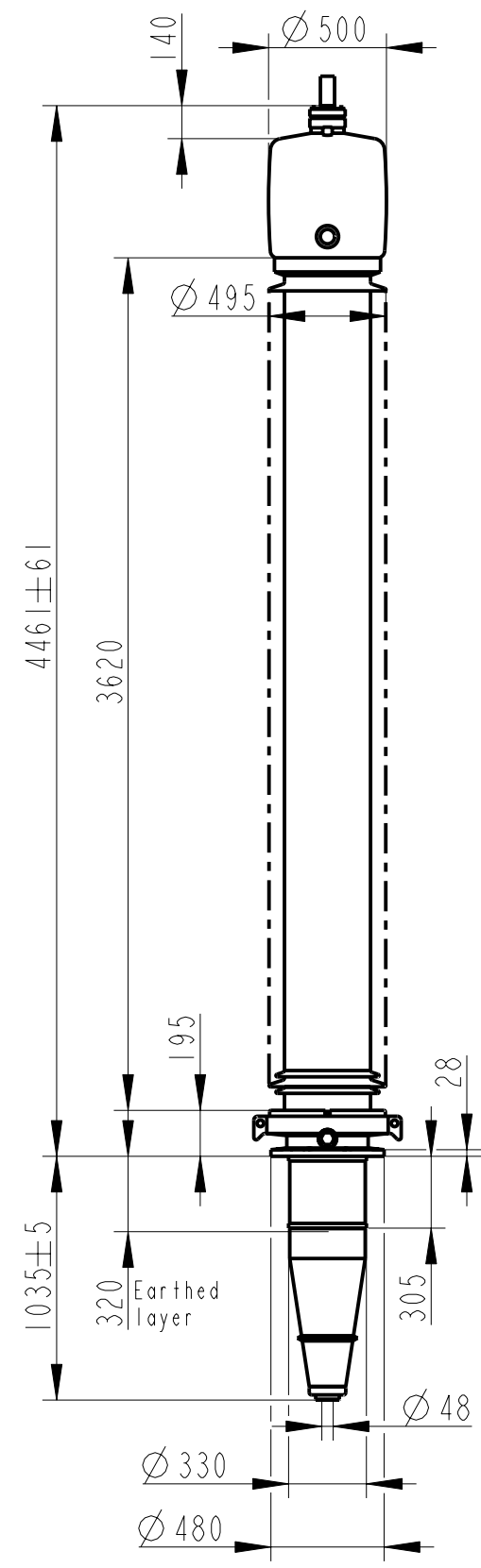


Rev	Ind	Revision	Appd	Date



Bushing Data:

Rated Voltage	420	kV
Phase to-earth Voltage	245	kV
Dry Lightning Impulse 1,2/50µs	1425	kV
Wet Switching Impulse	1175	kV
Wet Power frequency AC	650	kV
Routine test Imin dry 50Hz	680	kV
Rated Current	2500	A
Creepage Distance	11600	mm
Mass	1035	kg

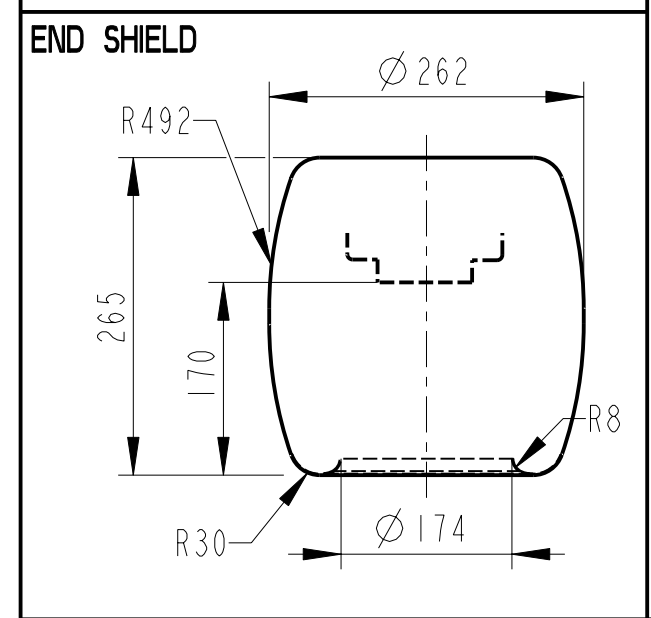
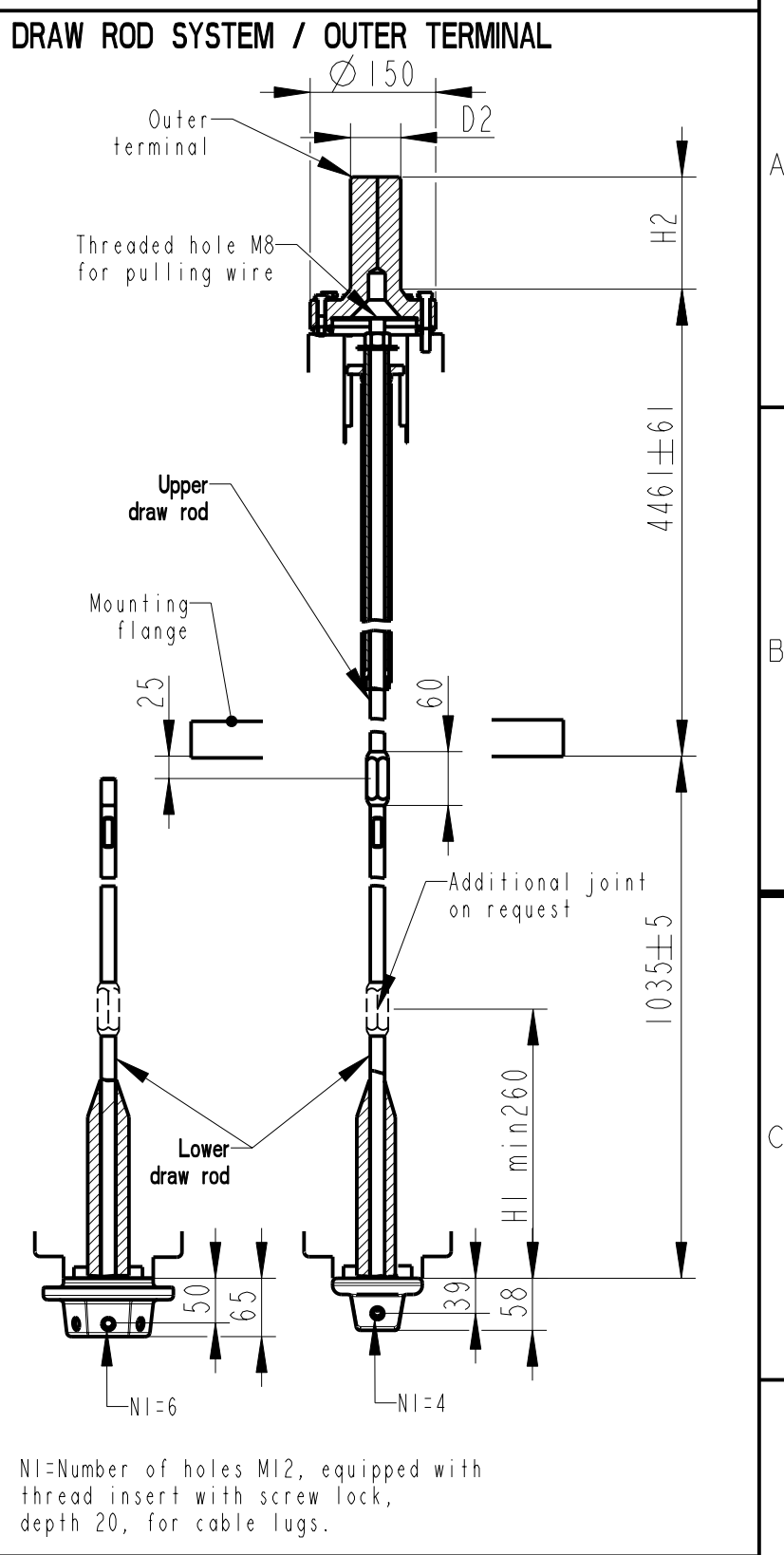
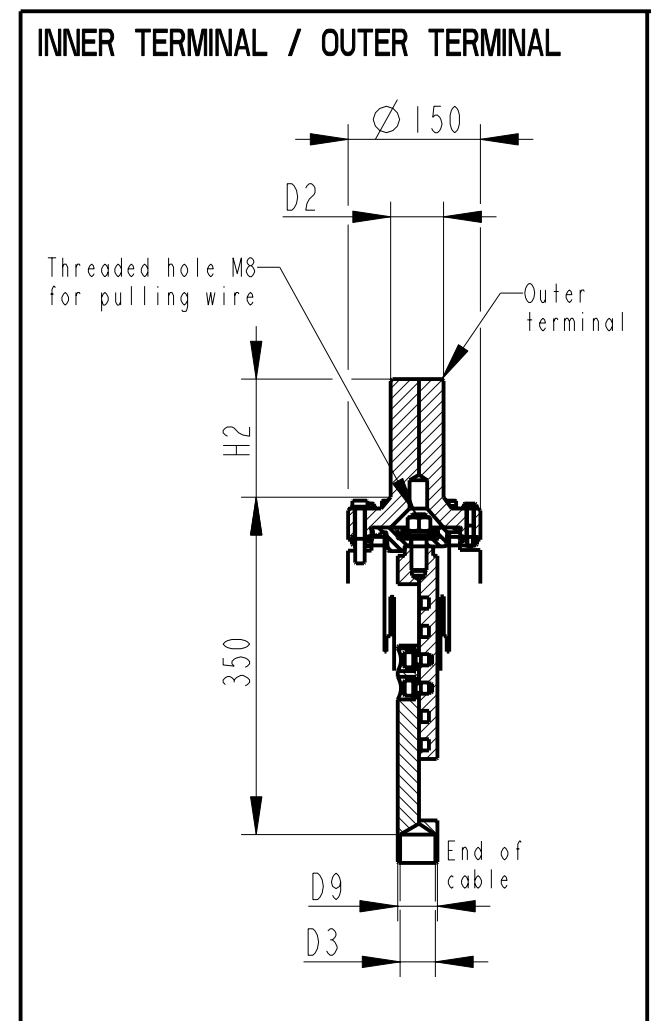
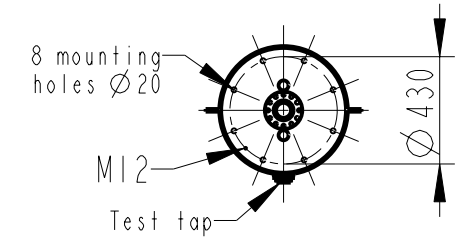
Ordering Data:

BUSHING	COLOUR AIR INSULATOR
LF121071 -D / -AD	BROWN / LIGHT GREY
OUTER TERMINAL	
	H2 D2
	(mm) (mm)
LF170 073-A Al	125 60
LF170 073-B Cu	125 60
LF170 073-G Cu/Ag	125 60
OTHER TYPES ON REQUEST	
END-SHIELD	
LF170 046-U EPOXY INSULATED	
LF170 046-UP INSULATED WITH 3 mm PRESSBOARD	
DRAW ROD SYSTEM	
LF170 059 LOWER DRAW ROD WITH NI=4 OR NI=6	
LF170 057 UPPER DRAW ROD	
INNER TERMINAL	
	D3 D9 Cond.area Current (A)
	(mm) (mm) (mm ²) IEC IEEE
LF170 056-E O *)	45 - - -
LF170 056-D	40 45 600 1600 1360

*) WITH PILOT HOLE D=5

ABB Components Luleå, Sweden

U ₁₋₄	N ₁	kV	I	A	50-60 Hz
U	kV	SI	kV	AC	kV
M	kg	L	mm	D	
C1	pF	Tanδ			
C2	pF	Tanδ			



Based on	Reg. No.	Title	Language
Prepared Lövnord	Responsible department COM/BK 0022	GOE-1300-1150-2500-0.3	
Approved Johansson	Take over department		Page
Design engineering review Gutman	Database		1(1)
ABB ABB Components		Document No.	2751369-29

We reserve all rights in this document and in the information contained therein. Reproduction, use or disclosure to third parties without express authority is strictly forbidden. ©ABB