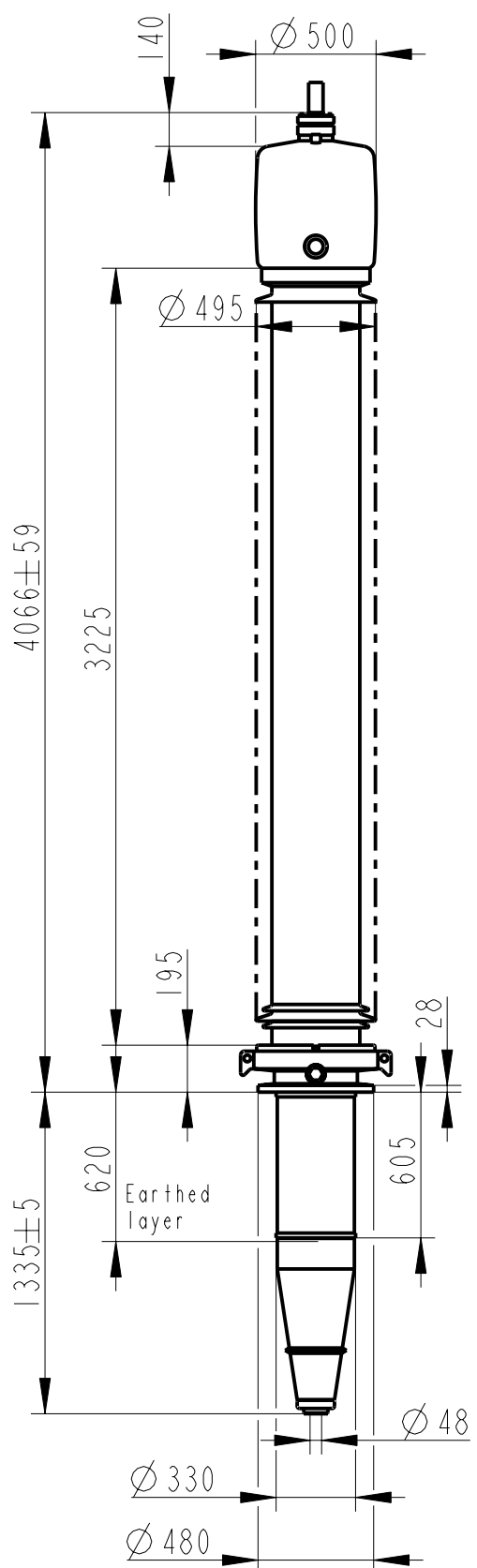


Rev	Ind	Revision	Appd	Date



### Bushing Data:

Rated Voltage	420	kV
Phase to-earth Voltage	245	kV
Dry Lightning Impulse 1,2/50µs	1425	kV
Wet Switching Impulse	1050	kV
Wet Power frequency AC	650	kV
Routine test Imin dry 50Hz	630	kV
Rated Current	2500	A
Creepage Distance	10290	mm
Mass	1005	kg

### Ordering Data:

<b>BUSHING</b>	COLOUR AIR INSULATOR
LF121071 -A / -AA	BROWN / LIGHT GREY
<b>OUTER TERMINAL</b>	
	H2 D2
	(mm) (mm)
LF170 073-A Al	125 60
LF170 073-B Cu	125 60
LF170 073-G Cu/Ag	125 60
OTHER TYPES ON REQUEST	

**END-SHIELD**  
 LF170 046-U EPOXY INSULATED  
 LF170 046-UP INSULATED WITH 3 mm PRESSBOARD

**DRAW ROD SYSTEM**

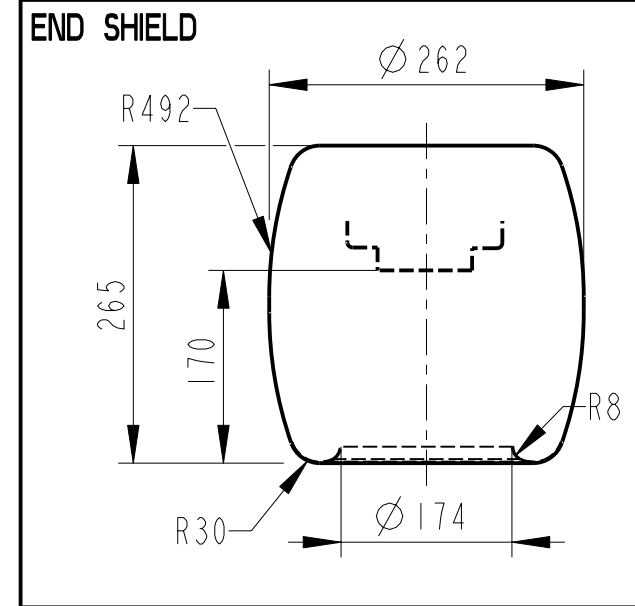
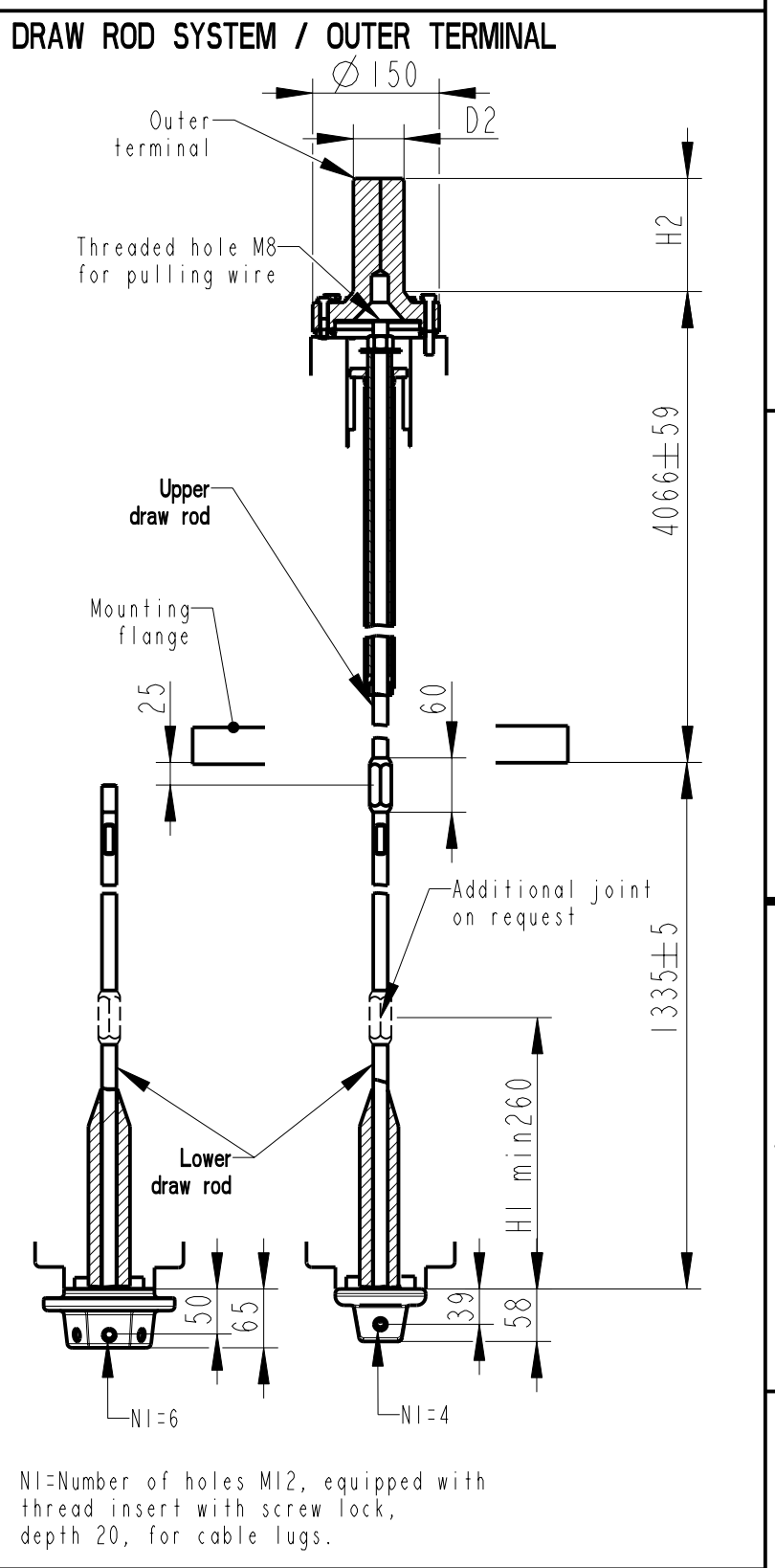
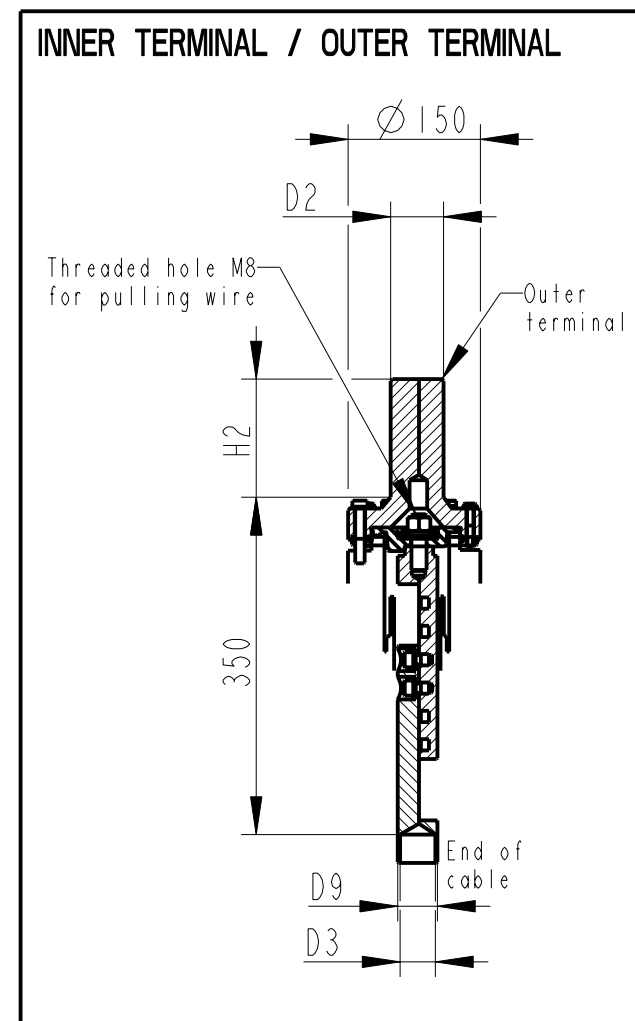
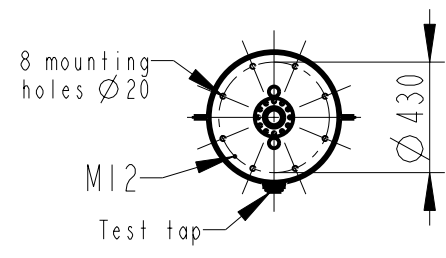
LF170 059	LOWER DRAW ROD WITH NI=4 OR NI=6
LF170 057	UPPER DRAW ROD

**INNER TERMINAL**

D3	D9	Cond.area	Current (A)
(mm)	(mm)	(mm <sup>2</sup> )	IEC IEEE
LF170 056-E 0 *)	45	-	-
LF170 056-D	40	600	1600 1360

\*) WITH PILOT HOLE D=5

ABB Components		Ludvika, Sweden	
U <sub>1-4</sub>	N <sub>1</sub>	A	50-60 Hz
U	kV SI	kV AC	kV
M	kg L	mm D	
C1	pF Tanδ		
C2	pF Tanδ		



NI=Number of holes M12, equipped with thread insert with screw lock, depth 20, for cable lugs.

Based on	Reg. No.	Title	GOE-1300-1050-2500-0.6
Prepared Lövnord	Responsible department COM/BK 0022		
Approved Johansson	Take over department		Language 82
Design engineering review Gutman	Database		Page 1(1)
ABB ABB Components		Document No.	2751369-28

We reserve all rights in this document and in the information contained therein. Reproduction, use or disclosure to third parties without express authority is strictly forbidden. ©ABB