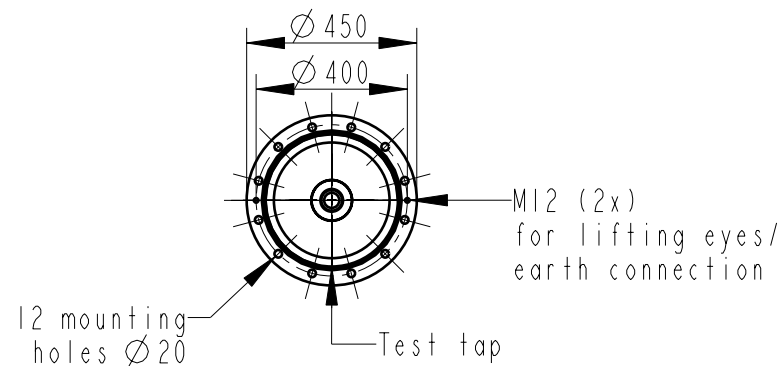
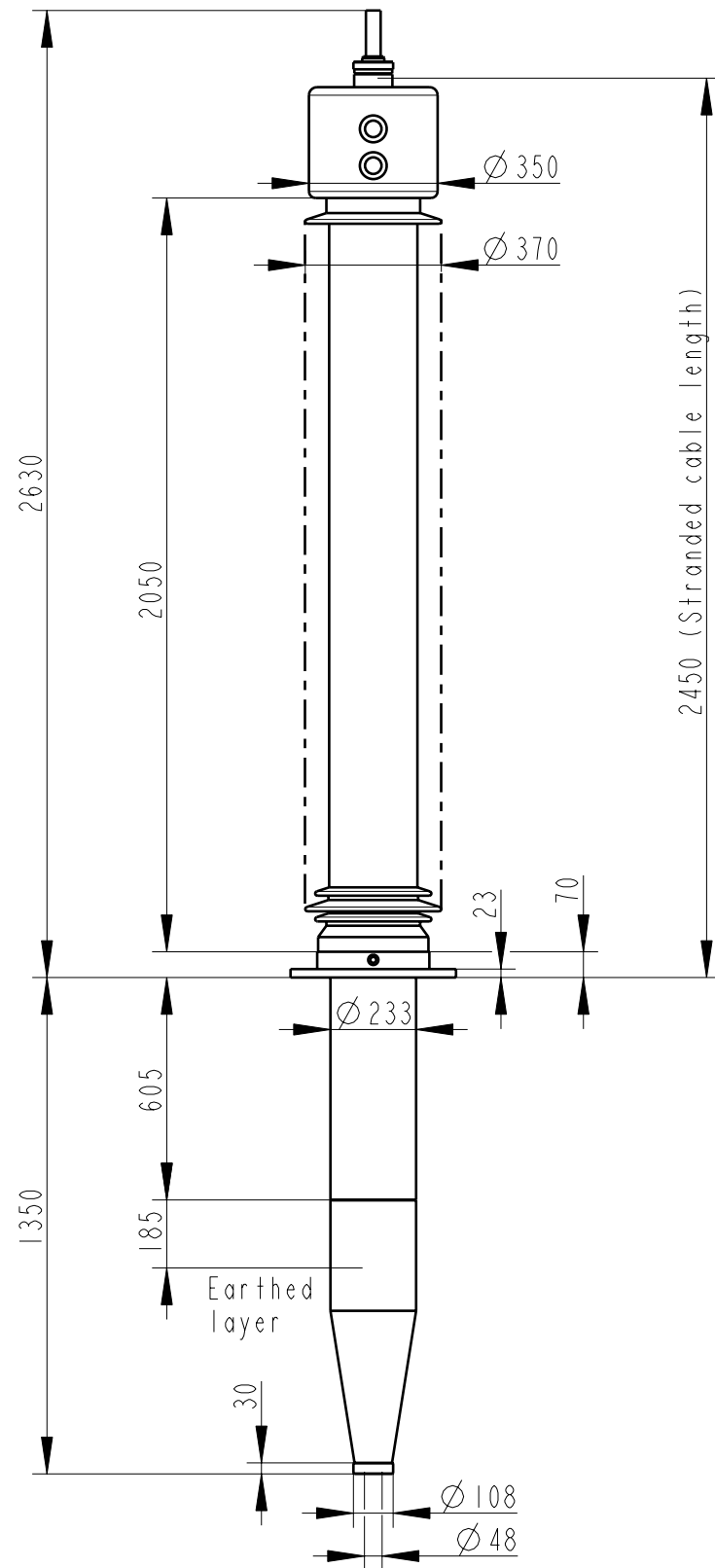
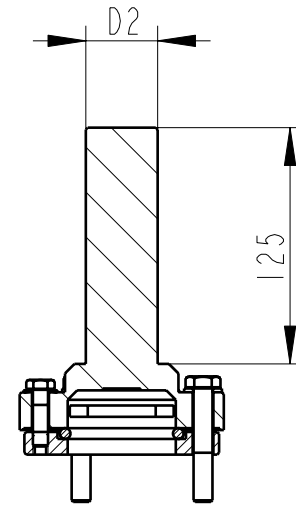


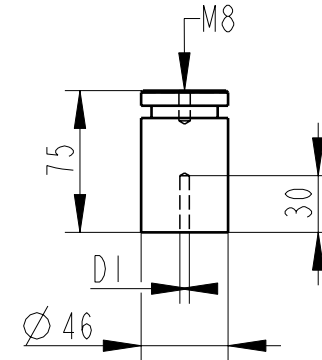
We reserve all rights in this document and in the information contained therein. Reproduction, use or disclosure to third parties without express authority is strictly forbidden. ©ABB



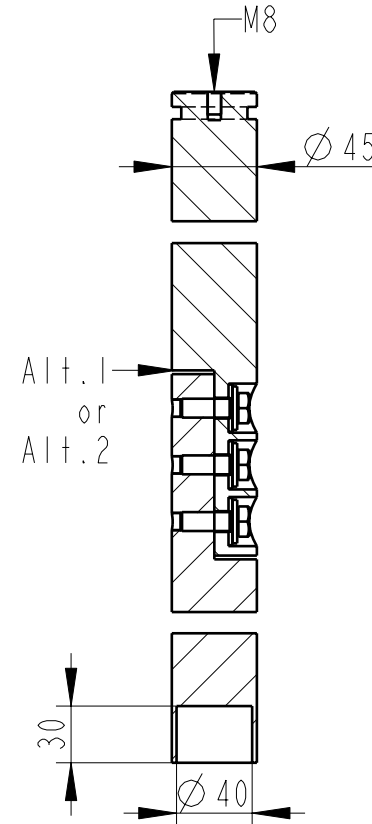
### OUTER TERMINAL



### INNER TERMINAL FOR STRANDED CABLE

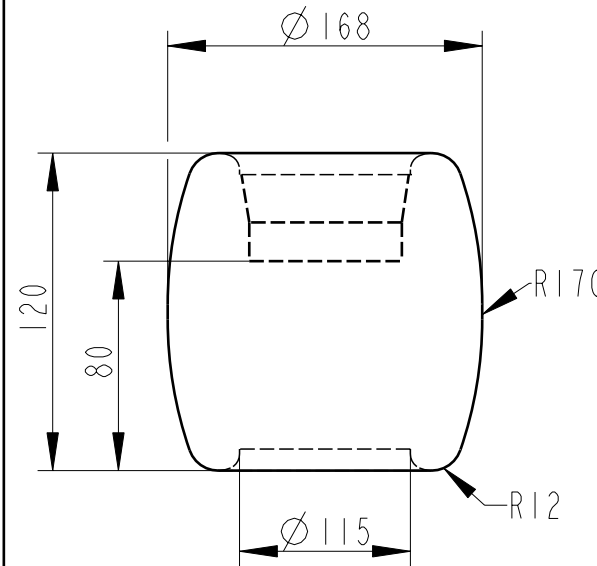


### SOLID ROD CONNECTOR



The solid rod can be divided either:  
 Alt.1: 20mm below the bushing flange or  
 Alt.2: 20mm below the upper end of the bottom porcelain

### END SHIELD



### Bushing Data:

Rated Voltage	245	kV
Phase to Ground Voltage	200	kV
Dry Lightning Impulse 1,2/50µs	1050	kV
Wet Switching Impulse	725	kV
Wet power frequency AC	480	kV
Routine test 1min dry 50Hz	505	kV
Rated Current	1600	A
Creepage Distance	6550±170	mm
Mass	350	kg

### Ordering Data:

<b>BUSHING</b>	COLOUR AIR INSULATOR	
LF 125 060-C	BROWN	
LF 125 060-K	LIGHT GREY	
<b>OUTER TERMINAL</b>	Material	D2
LF 170 017-BA	Al	Ø 30
LF 170 017-BC	Al	Ø 60
LF 170 017-BB	Cu	Ø 30
LF 170 017-BH	Cu	Ø 40
OTHER TYPES ON REQUEST		
<b>INNER TERMINAL FOR STRANDED CABLE</b>	Conductor area	D1
For brazing	up to 95mm <sup>2</sup>	Ø 15
LF 170 018-AB	up to 285 mm <sup>2</sup>	Ø 30
LF 170 018-AC	up to 740 mm <sup>2</sup>	Ø 42
LF 170 018-AD	Undrilled with pilot hole Ø 5	
LF 170 018-AA		
<b>SOLID ROD CONNECTOR</b>		
LF 170 032-AC for Alt.1		
LF 170 032-AE for Alt.2		
<b>END SHIELD</b>	Insulation	
LF 170 020-R	Epoxy	
LF 170 020-U	Pressboard (thickness 3mm)	

ABB Components Ludvika, Sweden	
No.	
Ur/ty	kV Ir A 50/60 Hz
LI / SI / AC	kV
M	kg L mm V
C1	pF Tan δ s
C2	pF Tan δ s

Based on	Reg. No.	Title GOM 1050-725-0.6	Language 82
Prepared Lövnord	Responsible department COM/BK 0043		
Approved Johansson	Take over department	Page 1(1)	
Design engineering review Gutman	Database		
ABB ABB Components		Document No. 2751369-231	