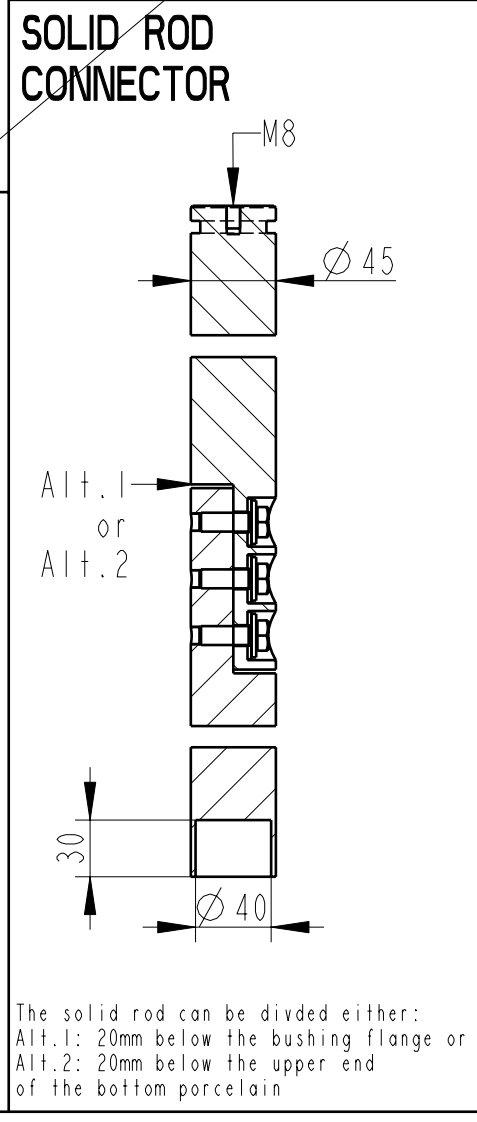
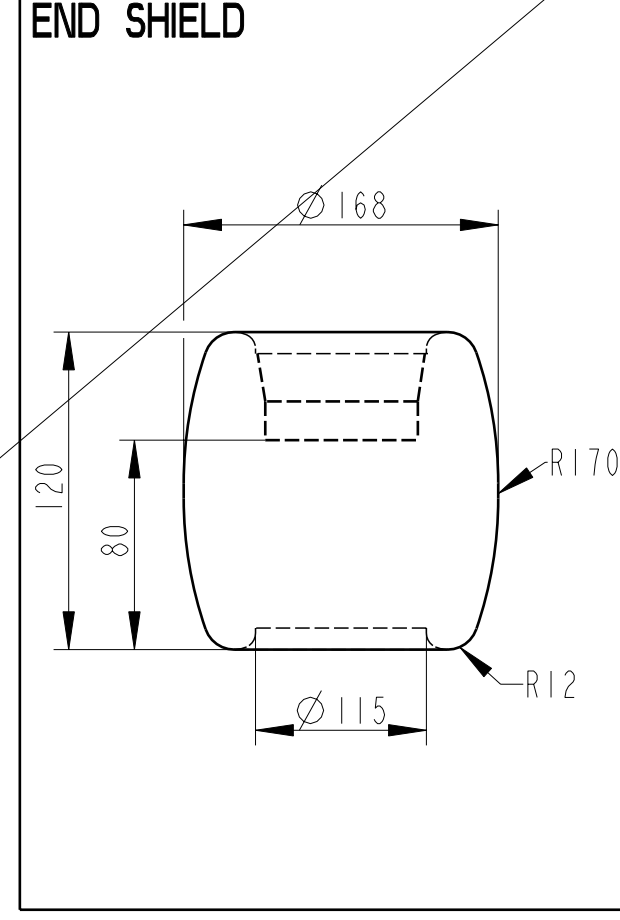
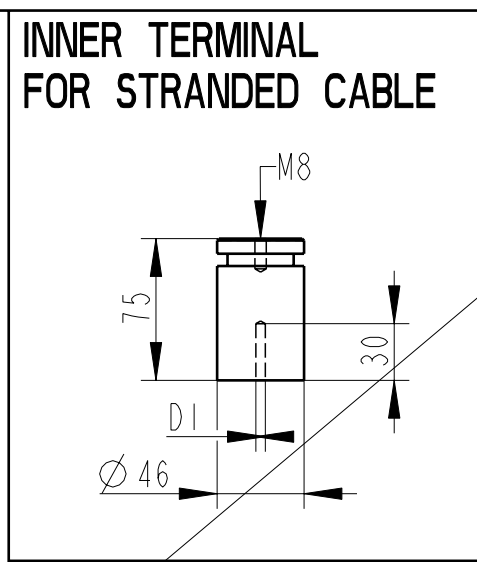
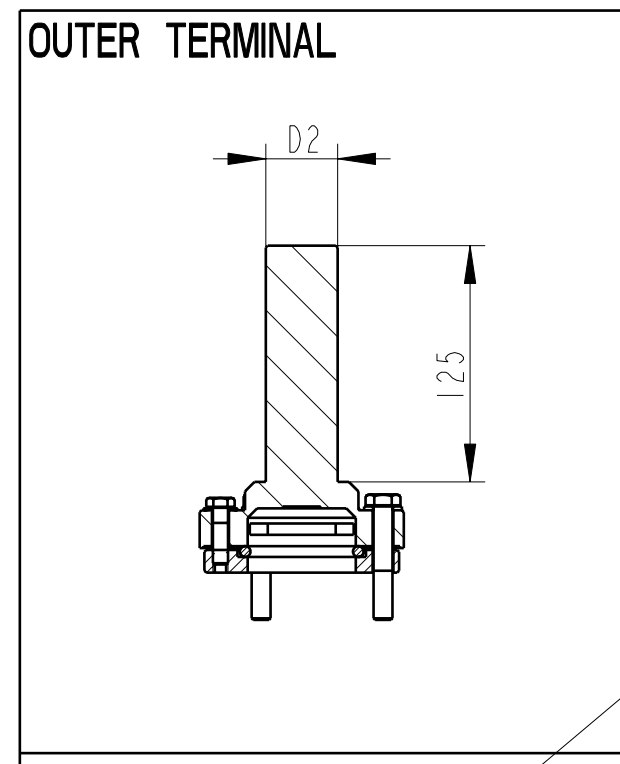
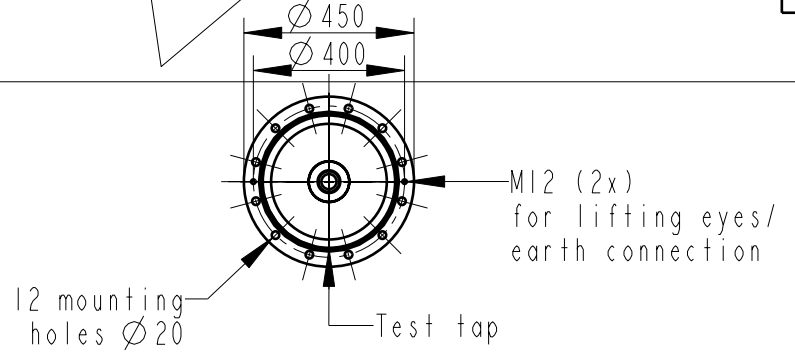
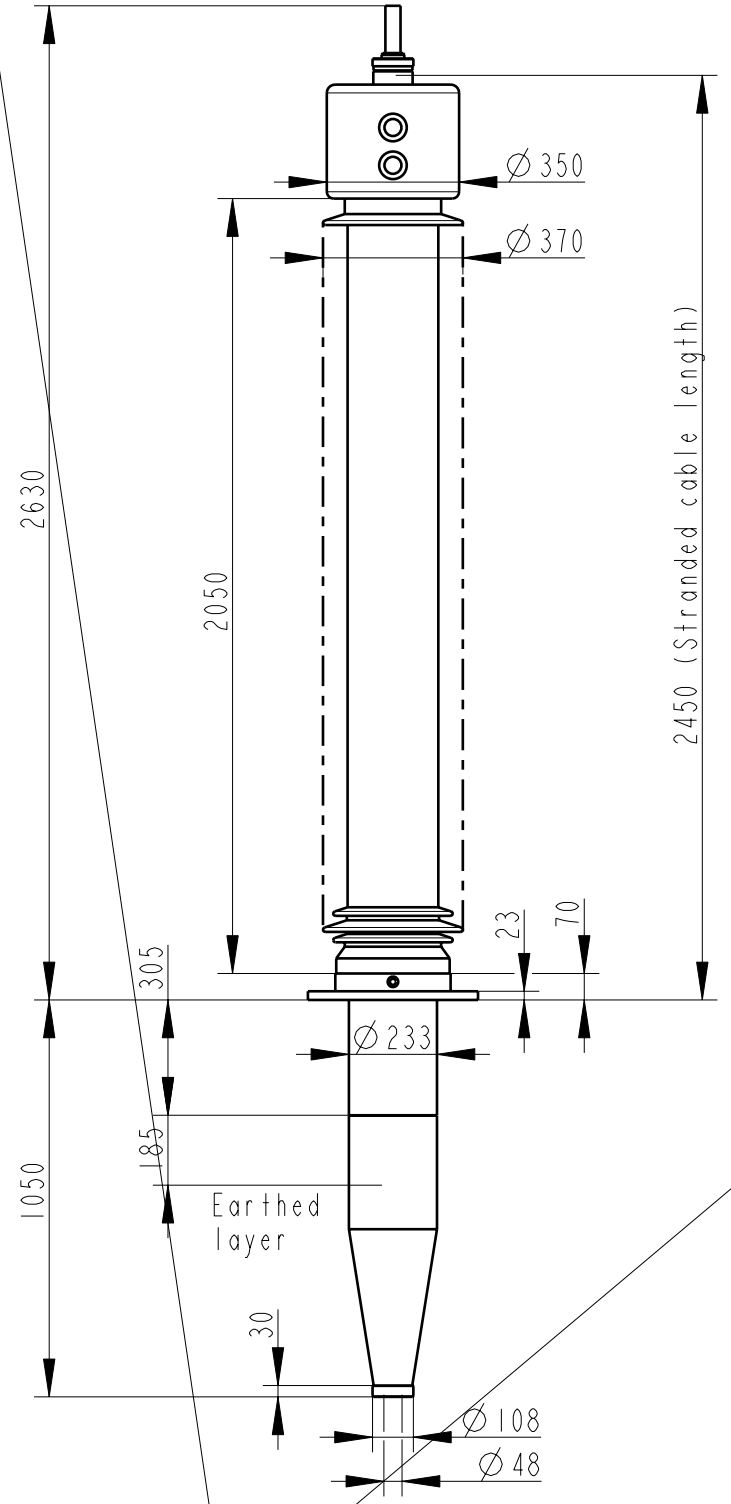


We reserve all rights in this document and in the information contained therein. Reproduction, use or disclosure to third parties without express authority is strictly forbidden. ©ABB



Phase to Ground Voltage	245	kV
Dry Lightning Impulse 1,2/50µs	200	kV
Wet Switching Impulse	1050	kV
Wet power frequency AC	725	kV
Routine test 1min dry 50Hz	480	kV
Rated Current	505	kV
Creepage Distance	1600	A
Mass	6550±170	mm
	335	kg

Ordering Data:

BUSHING	COLOUR AIR INSULATOR	
LF 125 060-B	BROWN	
LF 125 060-H	LIGHT GREY	
OUTER TERMINAL	Material	D2
LF 170 017-BA	Al	Ø 30
LF 170 017-BC	Al	Ø 60
LF 170 017-BB	Cu	Ø 30
LF 170 017-BH	Cu	Ø 40
OTHER TYPES ON REQUEST		
INNER TERMINAL FOR STRANDED CABLE	Conductor area	D1
For brazing	up to 95mm ²	Ø 15
LF 170 018-AB	up to 285 mm ²	Ø 30
LF 170 018-AC	up to 740 mm ²	Ø 42
LF 170 018-AD	Undrilled with pilot hole Ø 5	
LF 170 018-AA		
SOLID ROD CONNECTOR		
LF 170 032-AB for Alt.1		
LF 170 032-AD for Alt.2		
END SHIELD	Insulation	
LF 170 020-R	Epoxy	
LF 170 020-U	Pressboard (thickness 3mm)	

ABB Components Ludvika, Sweden	
No.	
Ur/Ur	kV Ir A 50/60 Hz
LI / SI / AC	kV
M	kg L mm V
C1	pF Tan δ s
C2	pF Tan δ s

Based on	Reg. No.
Prepared	Responsible department
Lövnord	COM/BK 0043
Approved	Take over department
Johansson	
Design engineering review	Database
Gutman	
ABB ABB Components	

T	GOM 1050-725-0.3
Language	82
Page	1(1)
Document No.	2751369-230