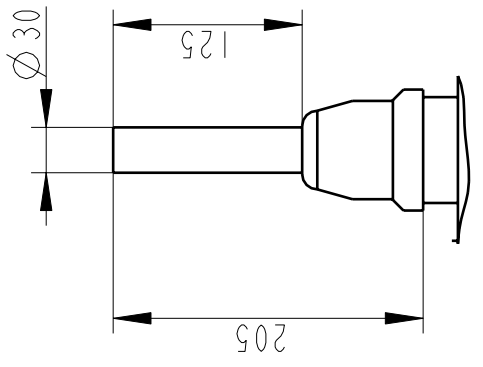
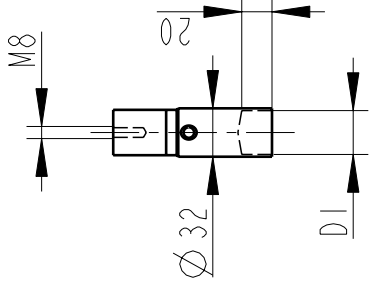


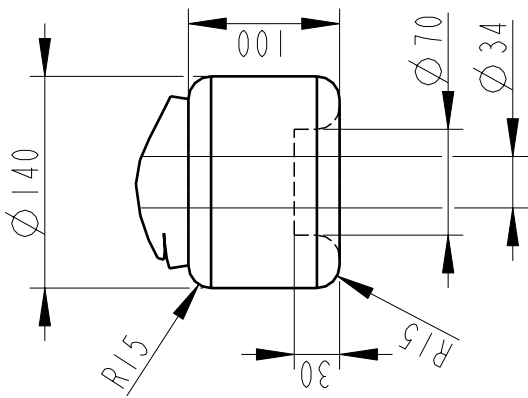
OUTER TERMINAL



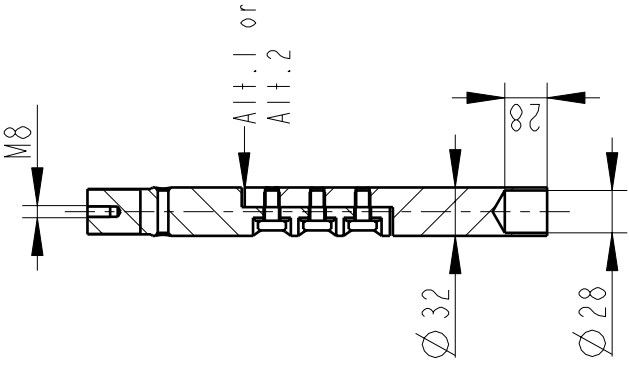
INNER TERMINAL FOR STRANDED CABLE



END SHIELD



SOLID ROD CONNECTOR



The solid rod can be divided either:
 Alt.1: 20mm below the bushing flange or
 Alt.2: 20mm below the upper end of the bottom porcelain

Bushing Data:

Rated Voltage	170	kV
Phase to Ground Voltage	170	kV
Dry Lightning Impulse 1,2/50 μ s	750	kV
Wet power frequency AC	325	kV
Routine test lmin dry 50Hz	350	kV
Rated Current	1250	A
Creepage Distance	4800 \pm 150	mm
Creepage Distance Protected	1700	mm
Mass	207	kg

Ordering Data:

BUSHING	COLOUR AIR INSULATOR
LF123106-K	BROWN
-L	LIGHT GREY
OUTER TERMINAL	
LF 170 002-B	Cu, $\varnothing 30$, L=125
LF 170 001-B	Al, $\varnothing 30$, L=125
OTHER TYPES ON REQUEST	
INNER TERMINAL FOR STRANDED CABLE	
For brazing	Conductor area DI
LF 170 011-T	up to 285mm ² $\varnothing 29$
LF 170 011-V	Undrilled with pilot hole $\varnothing 5$
SOLID ROD CONNECTOR	
LF 170 052 -AK	for Alt.1
LF 170 052 -AL	for Alt.2

ABB Components Ludvika, Sweden	
No.	U / S / AC
U	kV
S	tr
AC	A 50/60 Hz
M	mm
C1	kg L
C2	mm V
	pf Tan δ
	pf Tan δ

Based on	Reg. No.
Prepared	Responsible department
LÖVNRD	COM/BK
Approved	Take over department
Johansson	Database
Design engineering review	
Hedlund	

Title	Page
GOB 750-1250-0.5	I(1)
WITH OIL LEVEL GAUGE	
SHORT END SHIELD	
Document No.	
2751369-227	

ABB ABB Components

We reserve all rights in this document and in the information contained therein. Reproduction, use or disclosure to third parties without express authority is strictly forbidden.
 ©ABB