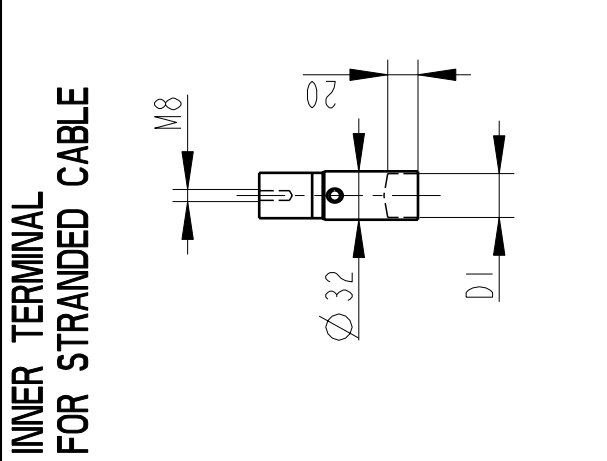
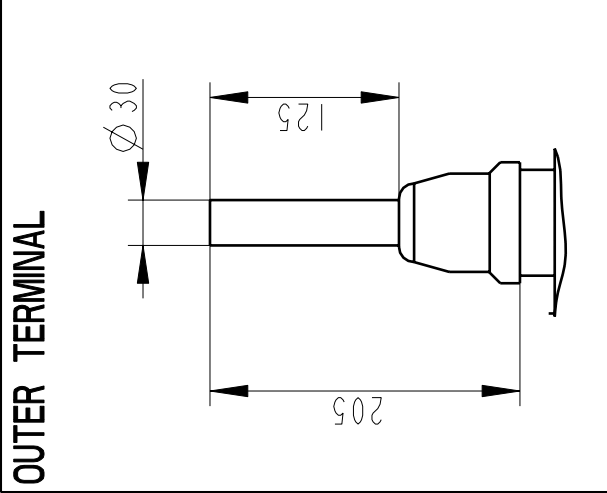
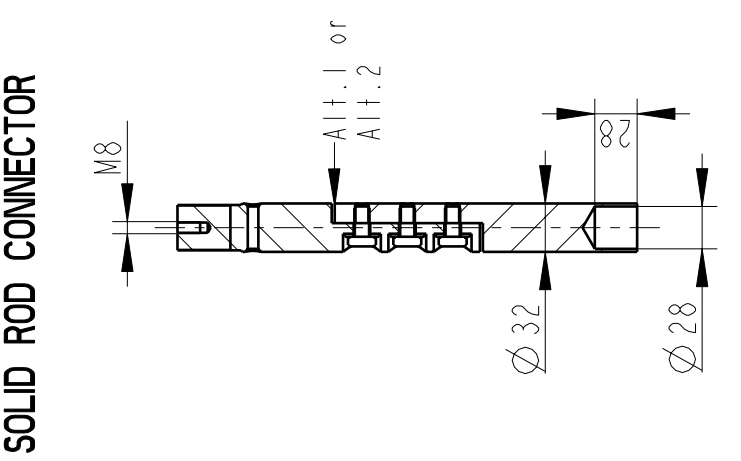
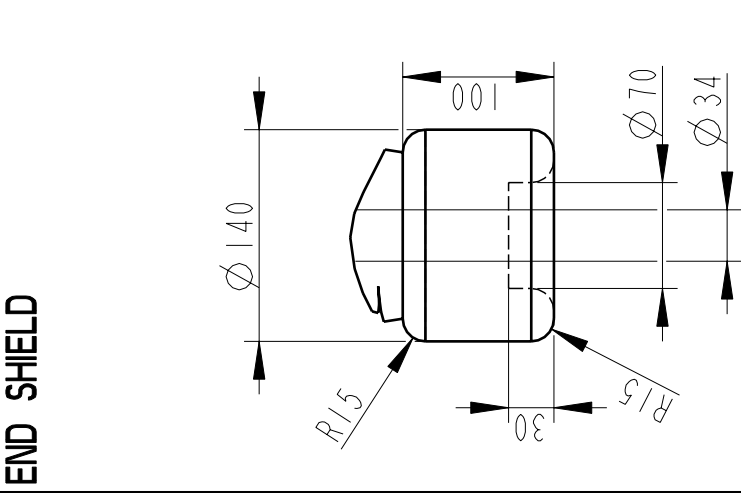


ABB Components		Ludvika, Sweden	
No.	U / S / AC	kV Ir	A 50/60 Hz
M	kg L	mm V	IV
C1	pf	Tan δ	r
C2	pf	Tan δ	r



Bushing Data:

Rated Voltage	170	kV
Phase to Ground Voltage	170	kV
Dry Lightning Impulse 1,2/50 μ s	750	kV
Wet power frequency AC	325	kV
Routine test Imin dry 50Hz	350	kV
Rated Current	1250	A
Creepage Distance	4800 \pm 150	mm
Creepage Distance Protected	1700	mm
Mass	187	kg



Ordering Data:

BUSHING
 LF123104-K
 -L
 COLOUR AIR INSULATOR
 BROWN
 LIGHT GREY

OUTER TERMINAL
 LF 170 002-B
 LF 170 001-B
 OTHER TYPES ON REQUEST
 Cu, $\varnothing 30$, L=125
 Al, $\varnothing 30$, L=125

INNER TERMINAL FOR STRANDED CABLE
 For brazing
 LF 170 011-T
 LF 170 011-V
 Conductor area
 up to 285mm²
 Undrilled with pilot hole $\varnothing 5$

SOLID ROD CONNECTOR
 LF 170 052 -AZ for Alt.1
 N/A for Alt.2

The solid rod can be divided either:
 Alt.1: 20mm below the bushing flange or
 Alt.2: 20mm below the upper end
 of the bottom porcelain

Based on	Reg. No.	Title
Prepared	Responsible department	GOB 750-1250-0
LÖVnord	COM/BK	WITH OIL LEVEL GAUGE
Approved	Take over department	SHORT END SHIELD
Johansson	Database	
Design engineering review		
Hedlund		
ABB ABB Components		Document No. 2751369-223