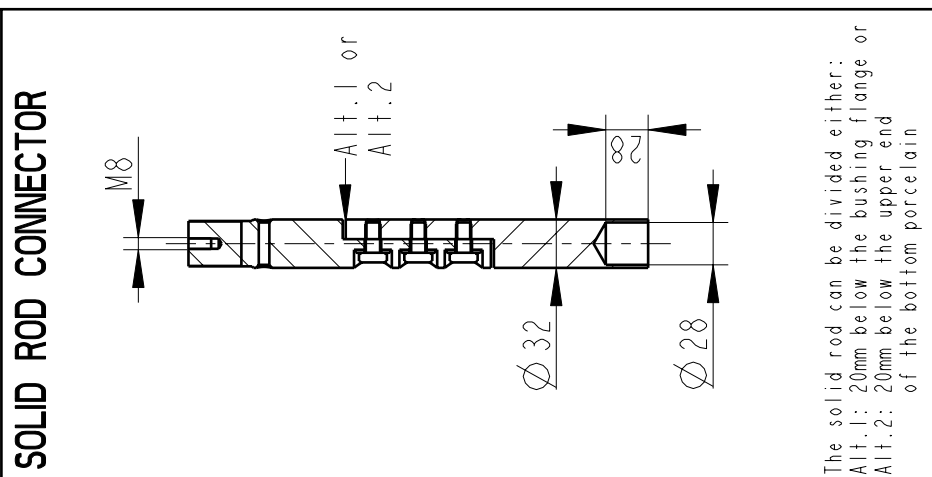
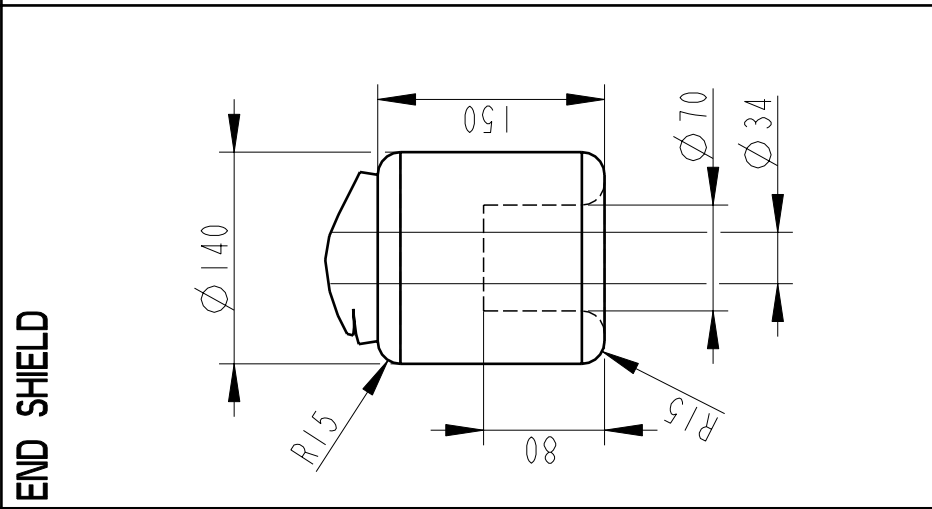


**Bushing Data:**

Rated Voltage	170	kV
Phase to Ground Voltage	145	kV
Dry Lightning Impulse 1,2/50µs	650	kV
Wet power frequency AC	275	kV
Routine test Imin dry 50Hz	300	kV
Rated Current	1250	A
Creepage Distance	4080±110	mm
Creepage Distance Protected	1620	mm
Mass	118	kg



**Ordering Data:**

**BUSHING**  
 LF123192-M  
 -N  
 COLOUR AIR INSULATOR  
 BROWN  
 LIGHT GREY

**OUTER TERMINAL**  
 LF 170 002-B  
 LF 170 001-B  
 OTHER TYPES ON REQUEST  
 Cu, Ø30, L=125  
 Al, Ø30, L=125

**INNER TERMINAL FOR STRANDED CABLE**  
**For brazing**  
 LF 170 011-T  
 LF 170 011-V  
 Conductor area  
 up to 285mm<sup>2</sup>  
 Undrilled with pilot hole Ø5

**SOLID ROD CONNECTOR**  
 LF 170 052 -AD for Alt.1  
 N/A for Alt.2

**ABB Components**    **Ludvika, Sweden**

No.	U	S	AC	kV	tr	A	50/60	Hz	IV
U	1	1							
M				kg	L	mm	V		r
C1				pf	Tan	δ			r
C2				pf	Tan	δ			r

**Based on**

Prepared: LÖVNERD  
 Approved: JOHANSSON  
 Design engineering review: Hedlund

Responsible department: COM/BK  
 Take over department:  
 Database:

**ABB**    **ABB Components**

Reg. No.  
 Title: **GOB 650-1250-0**  
**WITH OIL LEVEL GAUGE**  
**LONG END SHIELD**

Page: I(1)  
 Document No.: 2751369-218

We reserve all rights in this document and in the information contained therein. Reproduction, use or disclosure to third parties without express authority is strictly forbidden.  
 ©ABB