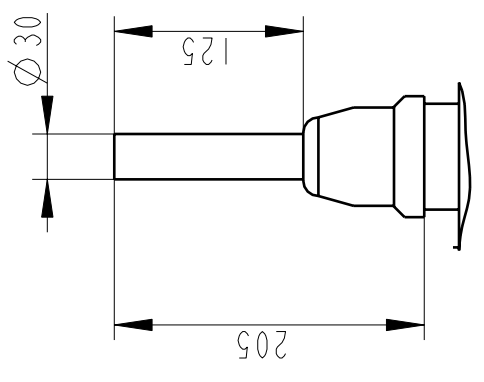
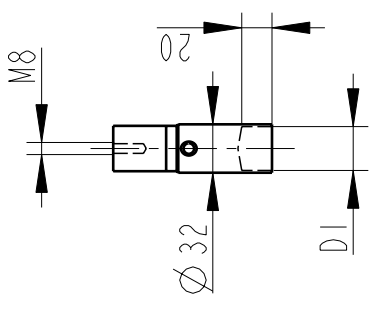


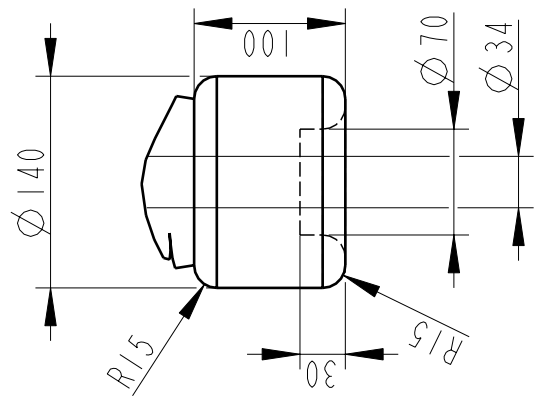
**OUTER TERMINAL**



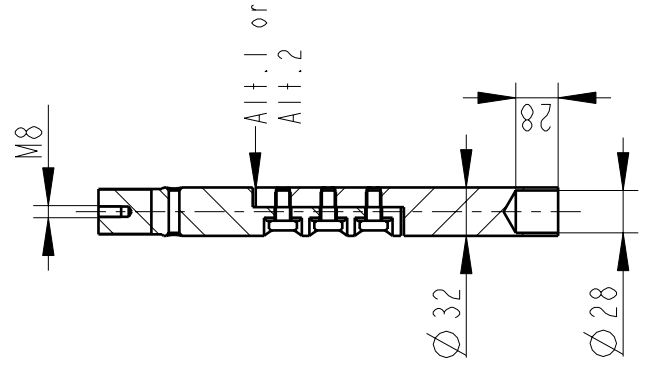
**INNER TERMINAL FOR STRANDED CABLE**



**END SHIELD**



**SOLID ROD CONNECTOR**



The solid rod can be divided either:  
 Alt. 1: 20mm below the bushing flange or  
 Alt. 2: 20mm below the upper end  
 of the bottom porcelain

**Bushing Data:**

Rated Voltage	170	kV
Phase to Ground Voltage	123	kV
Dry Lightning Impulse 1,2/50µs	550	kV
Wet power frequency AC	230	kV
Routine test Imin dry 50Hz	260	kV
Rated Current	1250	A
Creepage Distance	3430±100	mm
Creepage Distance Protected	1350	mm
Mass	116	kg

**Ordering Data:**

**BUSHING**  
 LF123144-K  
 -L  
 COLOUR AIR INSULATOR  
 BROWN  
 LIGHT GREY

**OUTER TERMINAL**  
 LF 170 002-B Cu, Ø 30, L=125  
 LF 170 001-B Al, Ø 30, L=125  
 OTHER TYPES ON REQUEST

**INNER TERMINAL FOR STRANDED CABLE**  
 For brazing Conductor area DI  
 LF 170 011-T up to 285mm<sup>2</sup> Ø 29  
 LF 170 011-V Undrilled with pilot hole Ø 5

**SOLID ROD CONNECTOR**  
 LF 170 052 -AV for Alt. 1  
 LF 170 052 -AY for Alt. 2

**ABB Components** Ludvika, Sweden

No.	Urbly	kV tr	A	50/60 Hz
Urbly	L / S / AC	kg L	mm V	IV
M	CI	pf	Tan δ	r
C2		pf	Tan δ	r

Based on	Reg. No.
Prepared	Responsible department
LÖV Nord	COM/BK
Approved	Take over department
Johansson	Database
Design engineering review	
Hedlund	

Title	Language
GOB 550-1250-0.5	
WITH OIL LEVEL GAUGE	
SHORT END SHIELD	
Page	1(1)
Document No.	2751369-215

**ABB** ABB Components

We reserve all rights in this document and in the information contained therein. Reproduction, use or disclosure to third parties without express authority is strictly forbidden.  
 © ABB