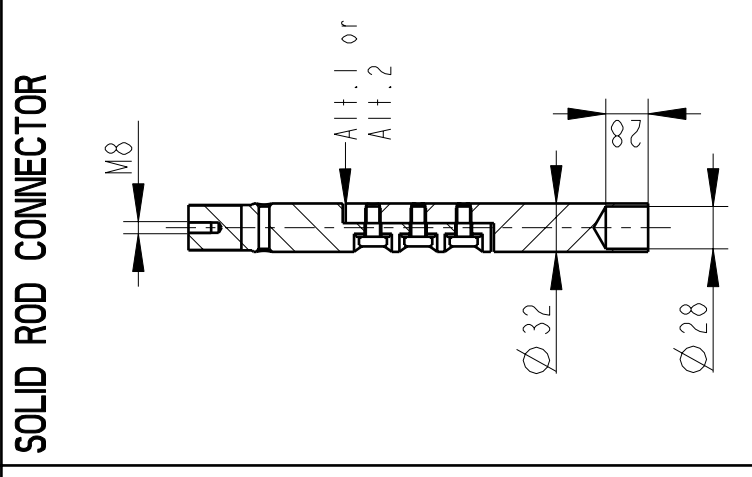
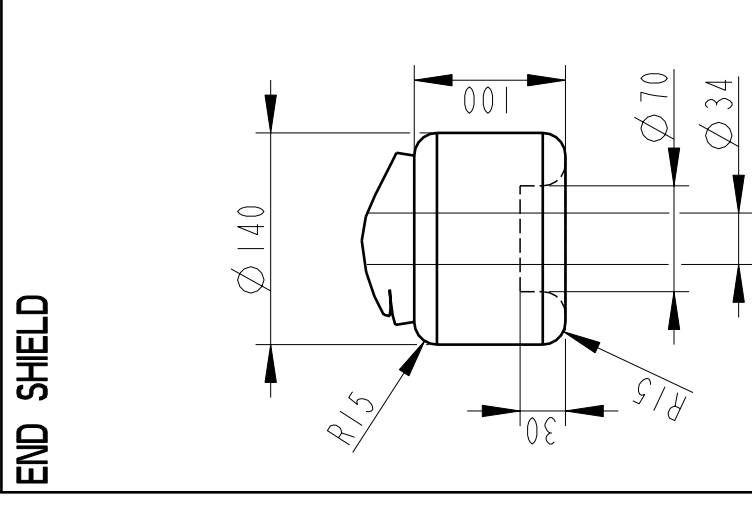


Bushing Data:

Rated Voltage	170	kV
Phase to Ground Voltage	123	kV
Dry Lightning Impulse 1,2/50µs	550	kV
Wet power frequency AC	230	kV
Routine test lmin dry 50Hz	260	kV
Rated Current	1250	A
Creepage Distance	3430±100	mm
Creepage Distance Protected	1350	mm
Mass	110	kg



Ordering Data:

BUSHING
 LF123143-K
 -L
 COLOUR AIR INSULATOR
 BROWN
 LIGHT GREY

OUTER TERMINAL
 LF 170 002-B Cu, Ø 30, L=125
 LF 170 001-B Al, Ø 30, L=125
 OTHER TYPES ON REQUEST

INNER TERMINAL FOR STRANDED CABLE
 For brazing Conductor area DI
 LF 170 011-T up to 285mm² Ø 29
 LF 170 011-V Undrilled with pilot hole Ø 5

SOLID ROD CONNECTOR
 LF 170 052 -AU for Alt.1
 LF 170 052 -AX for Alt.2

The solid rod can be divided either:
 Alt.1: 20mm below the bushing flange or
 Alt.2: 20mm below the upper end
 of the bottom porcelain

ABB Components **Ludvika, Sweden**

No.	U	S	AC	IV	tr	A	5060	Hz	IV
U	1	1	1	1	mm	V			
M				kg	L				
C1				pf	Tan δ				
C2				pf	Tan δ				

Based on	Reg. No.	Title
Prepared	Responsible department	GOB 550-1250-0.3
LÖVNERD	COM/BK	WITH OIL LEVEL GAUGE
Approved	Take over department	SHORT END SHIELD
Johansson	Database	
Design engineering review		
Hedlund		
Page		I(1)
Document No.		2751369-213

ABB **ABB Components**

We reserve all rights in this document and in the information contained therein. Reproduction, use or disclosure to third parties without express authority is strictly forbidden.
 ©ABB