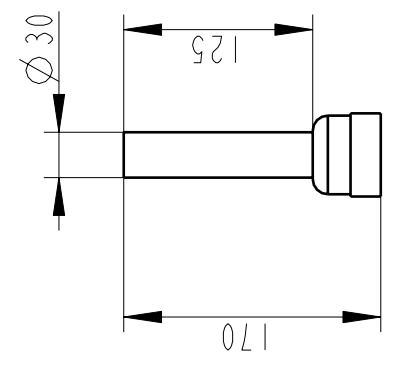
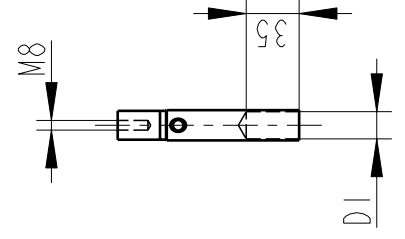


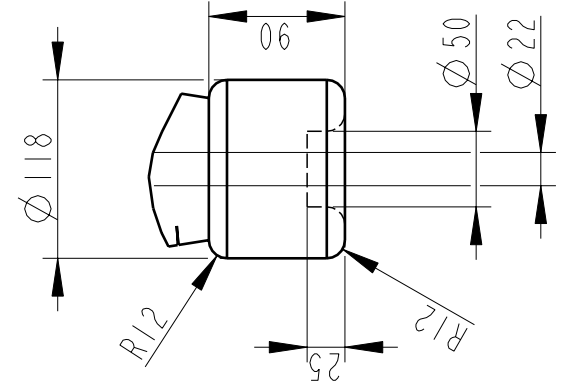
**OUTER TERMINAL**



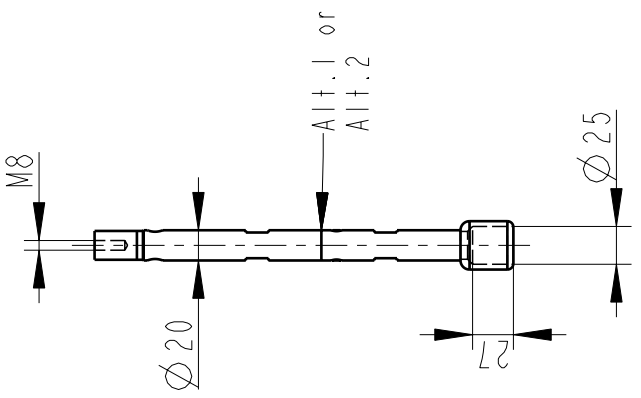
**INNER TERMINAL FOR STRANDED CABLE**



**END SHIELD**



**SOLID ROD CONNECTOR**



The solid rod can be divided either:  
 Alt.1: 20mm below the bushing flange or  
 Alt.2: 20mm below the upper end of the bottom porcelain

**Bushing Data:**

Rated Voltage	170	kV
Phase to Ground Voltage	123	kV
Dry Lightning Impulse 1,2/50µs	550	kV
Wet power frequency AC	230	kV
Routine test Imin dry 50Hz	260	kV
Rated Current	800	A
Creepage Distance	3430±100	mm
Creepage Distance Protected	1350	mm
Mass	74	kg

**Ordering Data:**

<b>BUSHING</b>	LF123190-K	COLOUR AIR INSULATOR	BROWN
	-L		LIGHT GREY
<b>OUTER TERMINAL</b>	LF 170 002-A		Cu, Ø30, L=125
	LF 170 001-A		Al, Ø30, L=125
OTHER TYPES ON REQUEST			
<b>INNER TERMINAL FOR STRANDED CABLE</b>			
<b>For brazing</b>		Conductor area	DI
LF 170 011-S		up to 150mm <sup>2</sup>	Ø18
LF 170 011-U		Undrilled with pilot hole Ø5	DI
<b>For crimping or brazing</b>		Conductor area	DI
LF 170 010-M		50mm <sup>2</sup>	Ø11
LF 170 010-N		70mm <sup>2</sup>	Ø13
LF 170 010-L		95mm <sup>2</sup>	Ø15
<b>SOLID ROD CONNECTOR</b>			
LF 170 019 -AZ for Alt.1			
LF 170 019 -BA for Alt.2			

<b>ABB Components</b>		Luvia, Sweden	
No.	U/dy	kV	A 50/60 Hz
LI	SI / AC	L	mm
M	kg	L	V
C1	pf	Tan δ	
C2	pf	Tan δ	

Based on	Reg. No.
Prepared	Responsible department
Lövnord	COM/BK
Approved	Take over department
Johansson	Database
Design engineering review	
Hedlund	

Title	Language	Page
GOB 550-800-0.3	82	I(1)
WITH OIL LEVEL GAUGE		
SHORT END SHIELD		

Document No.	2751369-207
--------------	-------------

**ABB** ABB Components

We reserve all rights in this document and in the information contained therein. Reproduction, use or disclosure to third parties without express authority is strictly forbidden. ©ABB