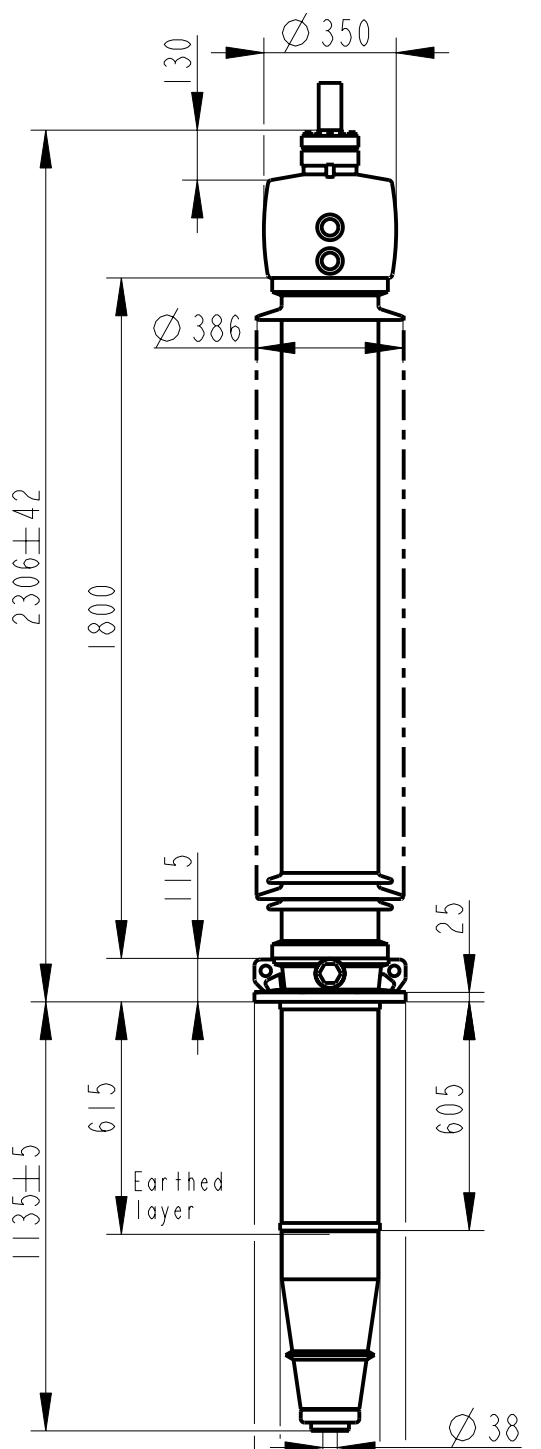


Rev	Ind	Revision	Appd	Date



### Bushing Data:

Rated Voltage	245	kV
Phase to-earth Voltage	170	kV
Dry Lightning Impulse 1,2/50µs	950	kV
Wet Switching Impulse	650	kV
Wet Power frequency AC	395	kV
Routine test Imin dry 50Hz	395	kV
Rated Current	5000	A
Creepage Distance	5735	mm
Mass	480	kg

### Ordering Data:

**BUSHING** COLOUR AIR INSULATOR  
 LF121055 -C / -AC BROWN / LIGHT GREY

**OUTER TERMINAL**

	H2	D2
	(mm)	(mm)
LF170 073-A Al	125	60
LF170 073-B Cu	125	60
LF170 073-G Cu/Ag	125	60

OTHER TYPES ON REQUEST

**END-SHIELD**  
 LF170 046-U EPOXY INSULATED  
 LF170 046-UP INSULATED WITH 3 mm PRESSBOARD

**DRAW ROD SYSTEM**  
 LF170 059 LOWER DRAW ROD WITH NI=4 OR NI=6  
 LF170 057 UPPER DRAW ROD

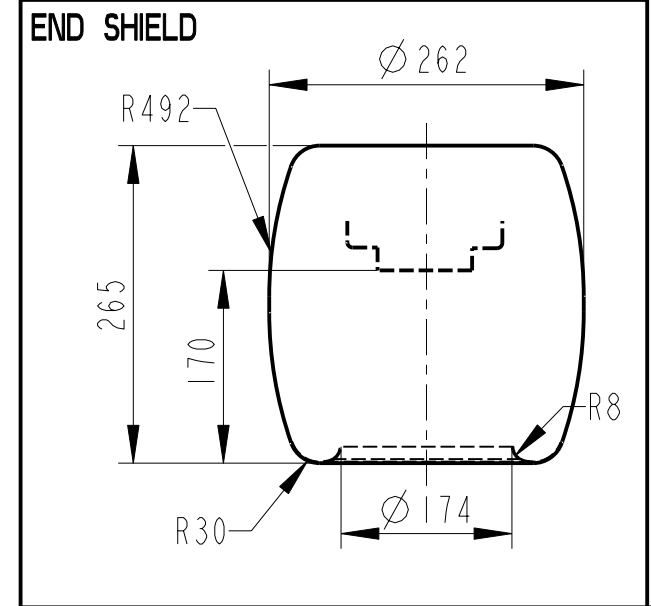
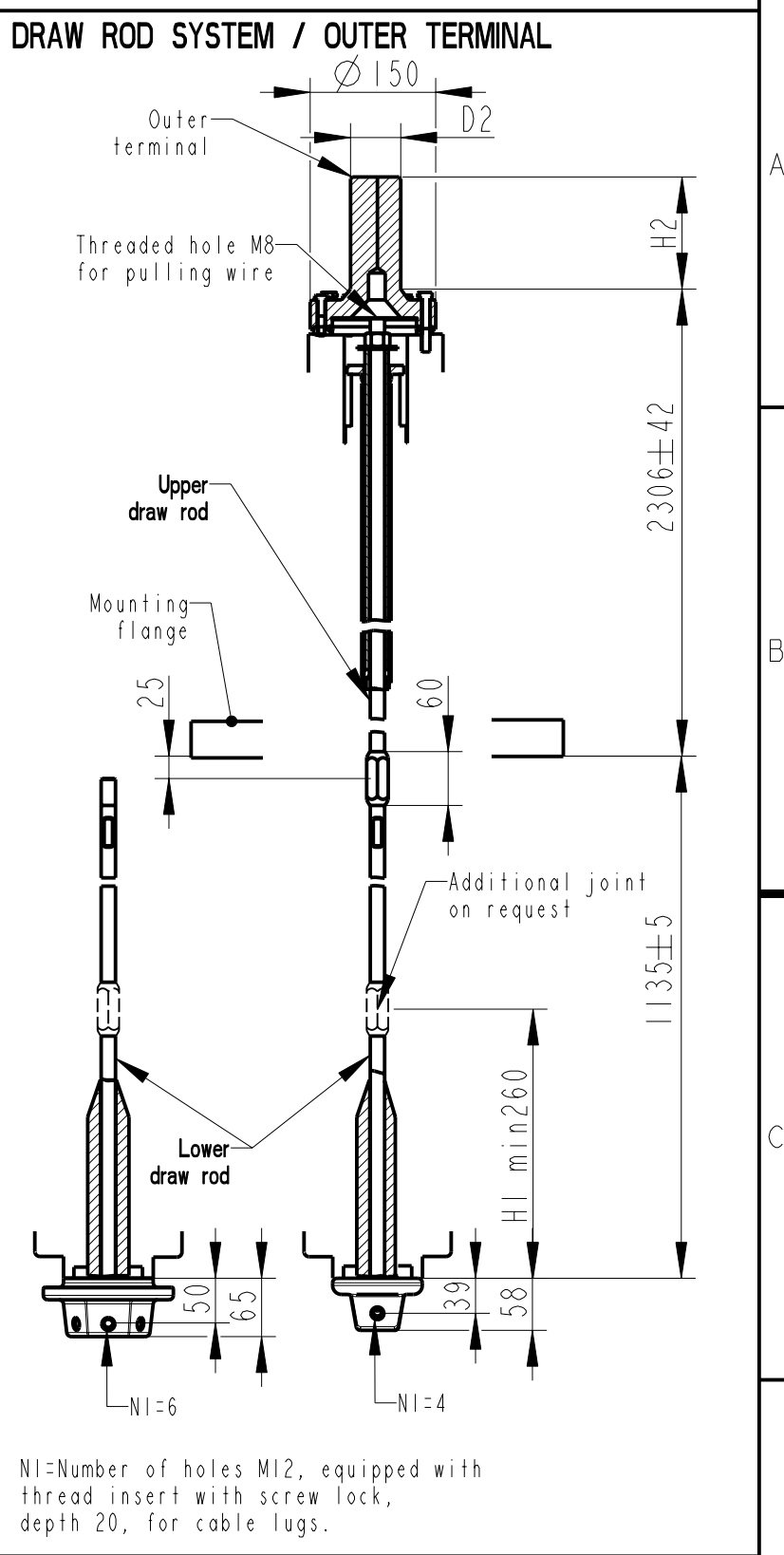
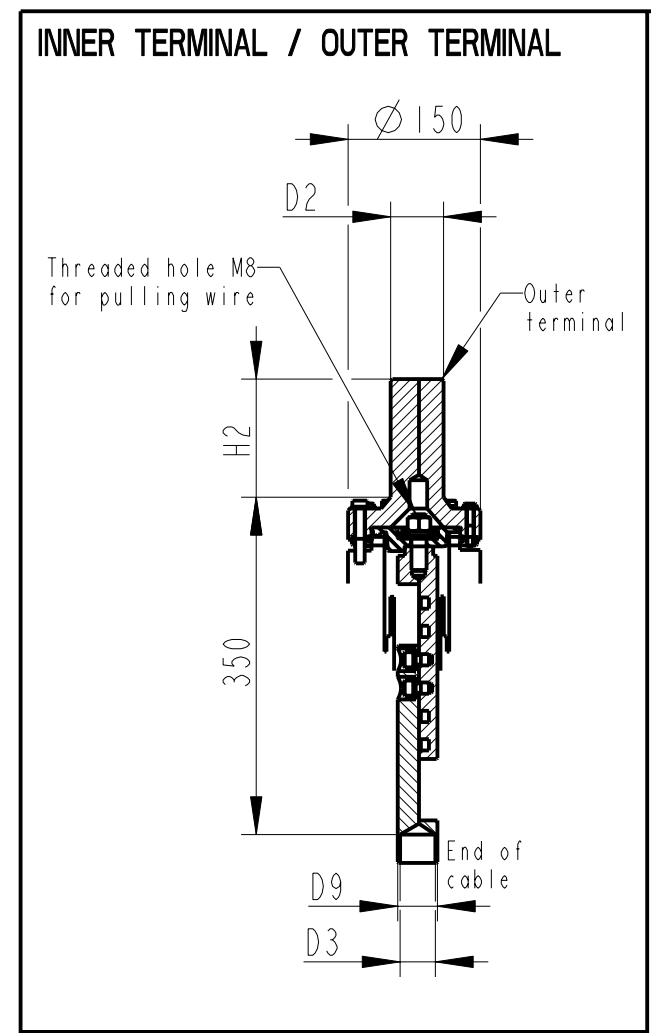
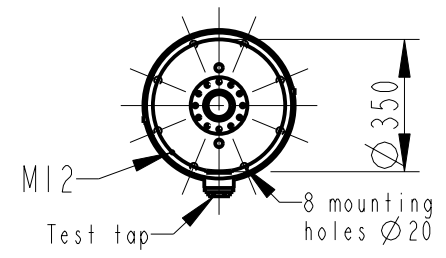
**INNER TERMINAL**

	D3	D9	Cond.area	Current (A)
	(mm)	(mm)	(mm <sup>2</sup> )	IEC
LF170 056-A 0 *)	35	-	-	-
LF170 056-B	15	35	95	390
LF170 056-C	30	35	285	1000

\*) WITH PILOT HOLE D=5

ABB Components Luleå, Sweden

Ur-ty	Nb.	50-60 Hz
U	kV SI	kV AC
M	kg L	mm D
C1	pF Tanδ	;
C2	pF Tanδ	;



Based on	Reg. No.	Title	GOE-900-650-5000-0.6
Prepared Lövnord	Responsible department COM/BK 0022		
Approved Johansson	Take over department		Language 82
Design engineering review Gutman	Database		Page 1(1)
ABB ABB Components		Document No.	2751369-20

We reserve all rights in this document and in the information contained therein. Reproduction, use or disclosure to third parties without express authority is strictly forbidden. ©ABB