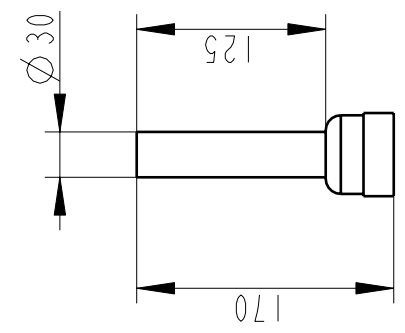
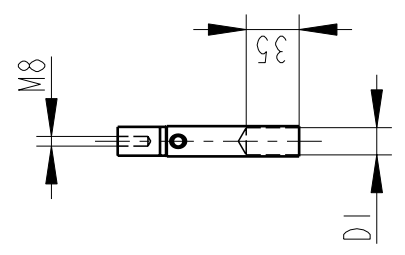


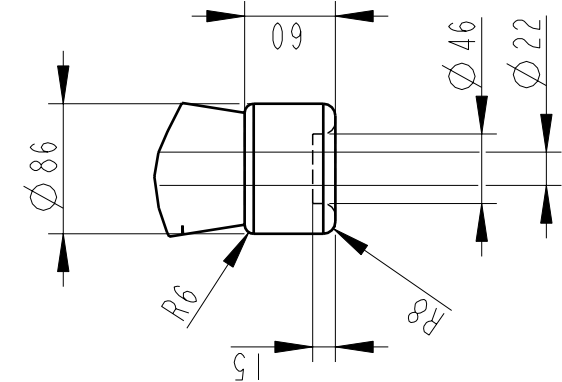
**OUTER TERMINAL**



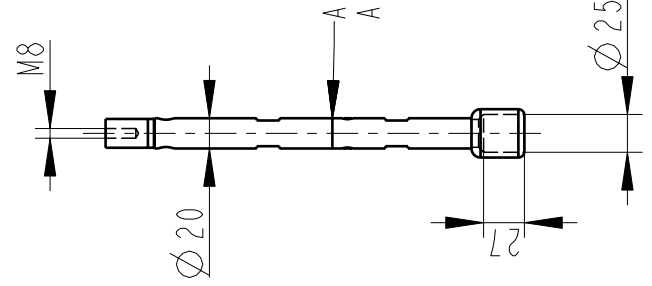
**INNER TERMINAL FOR STRANDED CABLE**



**END SHIELD**



**SOLID ROD CONNECTOR**



The solid rod can be divided either:  
 Alt.1: 20mm below the bushing flange or  
 Alt.2: 20mm below the upper end of the bottom porcelain

**Bushing Data:**

Rated Voltage	123	kV
Phase to Ground Voltage	90	kV
Dry Lightning Impulse 1,2/50µs	450	kV
Wet power frequency AC	185	kV
Routine test Imin dry 50Hz	195	kV
Rated Current	800	A
Creepage Distance	2720±80	mm
Creepage Distance Protected	1060	mm
Mass	43	kg

**Ordering Data:**

<b>BUSHING</b>	COLOUR AIR INSULATOR
LF123145-K	BROWN
-L	LIGHT GREY
<b>OUTER TERMINAL</b>	
LF 170 002-A	Cu, Ø30, L=125
LF 170 001-A	Al, Ø30, L=125
OTHER TYPES ON REQUEST	
<b>INNER TERMINAL FOR STRANDED CABLE</b>	
<b>For brazing</b>	Conductor area
LF 170 011-S	up to 150mm <sup>2</sup> Ø18
LF 170 011-U	Undrilled with pilot hole Ø5
<b>For crimping or brazing</b>	Conductor area
LF 170 010-M	50mm <sup>2</sup> Ø11
LF 170 010-N	70mm <sup>2</sup> Ø13
LF 170 010-L	95mm <sup>2</sup> Ø15
<b>SOLID ROD CONNECTOR</b>	
LF 170 019 -BS for Alt.1	
N/A for Alt.2	

<b>ABB Components</b> Luvia, Sweden	
No.	kg L mm V
Urdu	kV r
LI / SI / AC	A 50/60 Hz
M	kV
C1	mm V
C2	pf Tan δ
	pf Tan δ

Based on	Reg. No.
Prepared	Responsible department
LÖVNRD	COM/BK
Approved	Take over department
Johansson	Database
Design engineering review	
Hedlund	

<b>Title</b>	
GOB 450-800-0	
WITH OIL LEVEL GAUGE	
SHORT END SHIELD	
Language	82
Page	I(1)

<b>ABB Components</b>	
Document No. 2751369-199	

We reserve all rights in this document and in the information contained therein. Reproduction, use or disclosure to third parties without express authority is strictly forbidden.  
 ©ABB