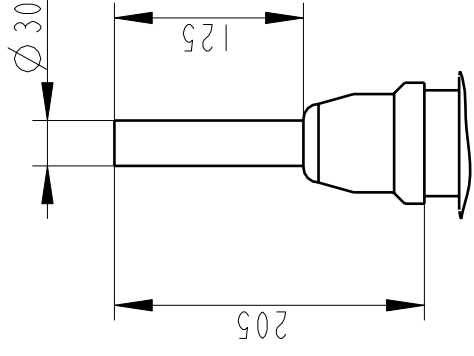
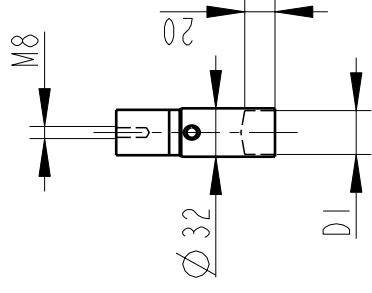


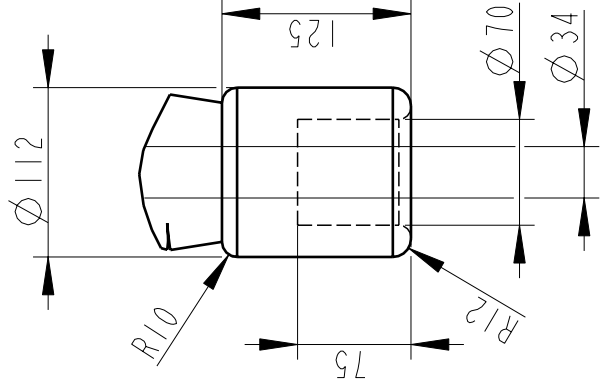
OUTER TERMINAL



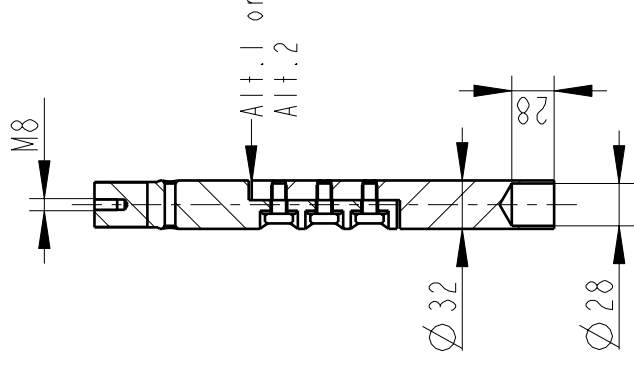
INNER TERMINAL FOR STRANDED CABLE



END SHIELD



SOLID ROD CONNECTOR



The solid rod can be divided either:
Alt. 1: 20mm below the bushing flange or
Alt. 2: 20mm below the upper end of the bottom porcelain

Bushing Data:

Rated Voltage	100	kV
Phase to Ground Voltage	72.5	kV
Dry Lightning Impulse 1,2/50 μ s	380	kV
Wet power frequency AC	150	kV
Routine test lmin dry 50Hz	162	kV
Rated Current	1250	A
Creepage Distance	2210 \pm 70	mm
Creepage Distance Protected	870	mm
Mass	44	kg

Ordering Data:

BUSHING	COLOUR AIR INSULATOR
LF123103-M	BROWN
-N	LIGHT GREY
OUTER TERMINAL	
LF 170 002-B	Cu, $\varnothing 30$, L=125
LF 170 001-B	Al, $\varnothing 30$, L=125
OTHER TYPES ON REQUEST	
INNER TERMINAL FOR STRANDED CABLE	
For brazing	Conductor area
LF 170 011-T	up to 285mm ² $\varnothing 29$
LF 170 011-V	Undrilled with pilot hole $\varnothing 5$
SOLID ROD CONNECTOR	
LF 170 052 -BP for Alt.1	
LF 170 052 -BM for Alt.2	

ABB Components Ludvika, Sweden	
No. <input type="radio"/> U <input type="radio"/> S <input type="radio"/> AC	kV <input type="radio"/> r <input type="radio"/> A 50/60 Hz <input type="radio"/> V
M <input type="radio"/> C1	kg L mm V
C2	pf Tan δ r
	pf Tan δ r

Based on	Reg. No.
Prepared	Responsible department
LÖVNORD	COM/BK
Approved	Take over department
Johansson	Database
Design engineering review	
Hedlund	
ABB ABB Components	
Document No. 2751369-198	

Title	
GOB 380-1250-0.5	
WITH OIL LEVEL GAUGE	
LONG END SHIELD	
Language	Page
	I(1)